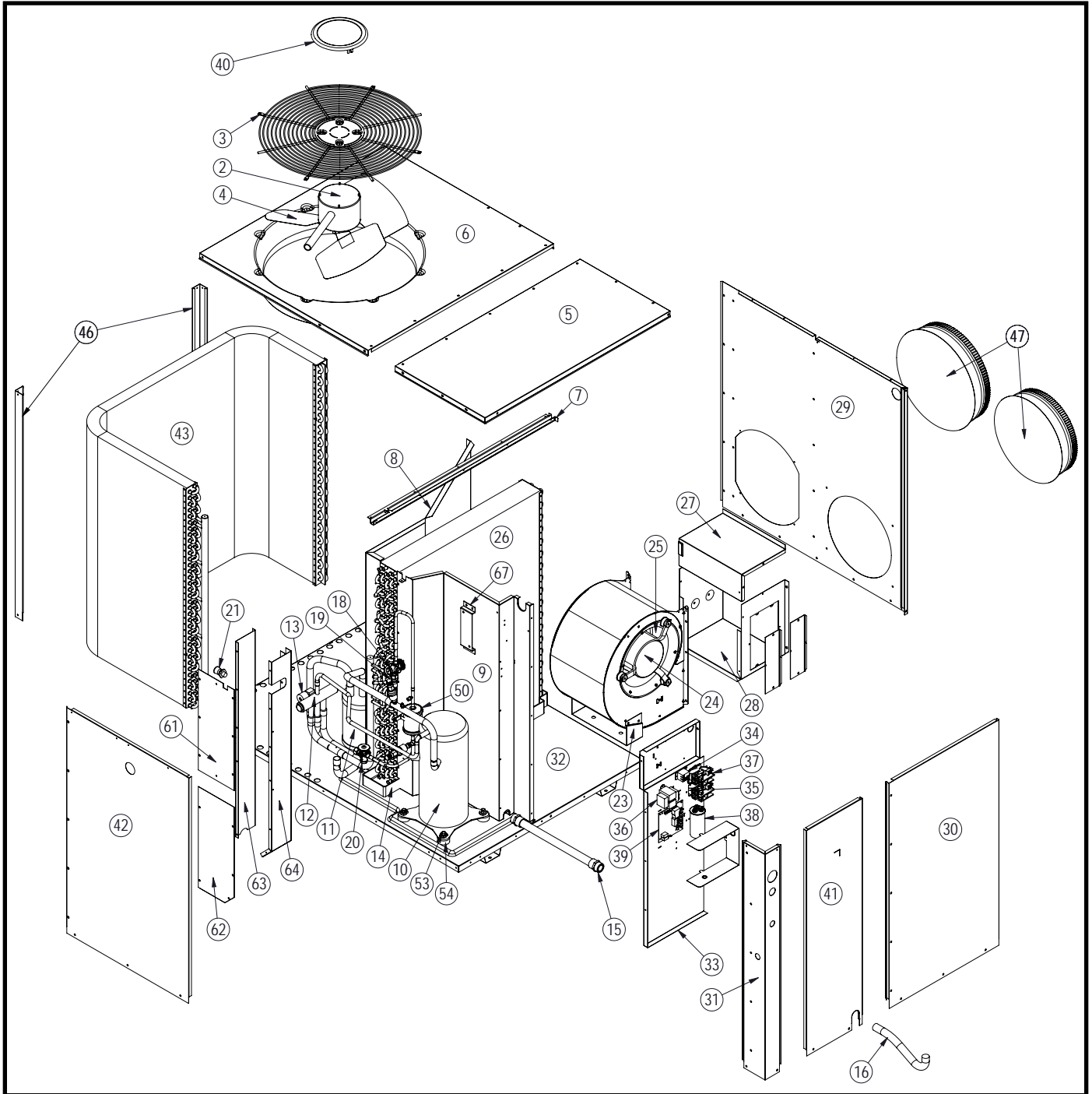


REPLACEMENT PARTS LIST

Single Package Heat Pump

PPH2RF Series

15 SEER Models



**PPH2RF Series Single Package Heat Pump
15 SEER, R-410A, 2-Stage Models**

| ITEM NO. | DESCRIPTION | PPH2RF-X24K | PPH2RF-X36K | PPH2RF-X48K | PPH2RF-X60K |
|----------|------------------------------|-------------|-------------|-------------|-------------|
| | | 920588 | 920589 | 920590 | 920591 |
| 1 | ACORN NUT, BLACK (NOT SHOWN) | 606261 | 606261 | 606261 | 606261 |
| 2 | CONDENSOR MOTOR | 622080 | 621721 | 622442 | 622442 |
| 3 | FAN GRILL, BLACK | 669404 | 669404 | 669404 | 669335 |
| 4 | FAN BLADE | 667390 | 667390 | 667369 | 667319 |
| 5 | TOP PAN,LEFT | D03570BR | D03570BR | D03570BR | D03570BR |
| 6 | TOP PAN, RIGHT | D07090BR | D07090BR | D07090BR | D07091BR |
| 7 | DRAIN CHANNEL | D03290 | D03290 | D03290 | D03290 |
| 8 | DIVIDER PANEL ASSY. | D03443R | D03443R | — | — |
| | DIVIDER PANEL ASSY,36" | — | — | D03445R | D03445R |
| 9 | BLOWER DIVIDER ASSY. | D03483R | D03483R | D03485R | D03485R |
| 10 | COMPRESSOR | 920334 | 920335 | 920336 | 920337 |
| 11 | ACCUMULATOR | 668793 | 668794 | 668794 | 668794 |
| 12 | REVERSING VALVE | 669465 | — | — | — |
| | REVERSING VALVE KIT | — | M0079101R | M0079101R | M0079101R |
| 13 | REVERSING VALVE COIL | 669471 | — | — | — |
| 14 | DRAIN PAN | 669187 | 669187 | 669187 | 669187 |
| 15 | DRAIN TUBE ASSY | 663713 | 663713 | 663713 | 663713 |
| 16 | "P" TRAP | 669211 | 669211 | 669211 | 669211 |
| 17 | ELBOW,3/4 MPT (NOT SHOWN) | 669184 | 669184 | 669184 | 669184 |
| 18 | TXV, INDOOR | 669845 | 669845 | 669821 | 669881 |
| 19 | DISTRIBUTOR, INDOOR | 663581 | 663584 | 663586 | 663586 |
| 20 | TXV, OUTDOOR | 669820 | 669820 | 669822 | 669822 |
| 21 | DISTRIBUTOR, OUTDOOR | 663581 | 663582 | 664546 | 664546 |
| 22 | SOUND BLANKET (NOT SHOWN) | 689792 | 689792 | 689793 | 689793 |
| 23 | FOOT, BLOWER | 262970 | 262970 | 262970 | 262970 |
| 24 | BLOWER MOTOR, 2T, PROGRAMMED | M0056102R | — | — | — |
| | BLOWER MOTOR, 3T, PROGRAMMED | — | M0056104R | — | — |
| | BLOWER MOTOR, 4T, PROGRAMMED | — | — | M0056106R | — |
| | BLOWER MOTOR, 5T, PROGRAMMED | — | — | — | M0056116R |
| 25 | BLOWER WHEEL | 667294 | 667037 | 667037 | 667037 |
| 26 | EVAP COIL | 2B1511R | 2B1531R | 2A9661R | 2A9661R |
| 27 | BLOWER COVER BOX | D03340 | D03340 | D03340 | D03340 |
| 28 | BLOWER TRANSITION BOX | D03350 | D03350 | D03350 | D03350 |
| 29 | REAR PANEL ASSY. | D03466BR | D03465BR | D03469BR | D03469BR |
| 30 | BLOWER PANEL ASSY. | D03523BR | D03523BR | D03525BR | D03525BR |
| 31 | CORNER PANEL | D04363BR | D04363BR | D04365BR | D04365BR |
| 32 | BOTTOM PAN ASSY. | D03430 | D03430 | D03430 | D03431 |
| 33 | CONTROL PANEL | 271793 | 271793 | 271795 | 271795 |
| 34 | RELAY,SPDT,24V COIL | 621931 | 621931 | 621931 | 621931 |
| 35 | RELAY,BLOWER,240V COIL | 622180 | 622180 | 622180 | 622180 |

Please specify Model No., Serial No., and the correct part number(s) when ordering parts from the nearest authorized dealer or service center.

**PPH2RF Series Single Package Heat Pump
15 SEER, R-410A, 2-Stage Models**

| ITEM NO. | DESCRIPTION | PPH2RF-X24K | PPH2RF-X36K | PPH2RF-X48K | PPH2RF-X60K |
|----------|---|-------------|-------------|-------------|-------------|
| | | 920588 | 920589 | 920590 | 920591 |
| 36 | TRANSFORMER | 621709 | 621709 | 621709 | 621709 |
| 37 | CONTACTOR | 621661 | 621661 | 621661 | 621661 |
| | | 621662 | 621662 | 621662 | 621662 |
| 38 | CAPACITOR, DUAL | 620762 | 620888 | 621153 | 621717 |
| 39 | ADAPTIVE DEMAND DEFROST BOARD | 920338 | 920338 | 920338 | 920338 |
| | DEMAND DEFROST BOARD (UNITS MANUFACTURED AFTER 2/1/2010 - See TB10-111) | 920268 | 920268 | 920268 | 920268 |
| 40 | TOP PAN GRILL CAP | 275291 | 275291 | 275291 | 275291 |
| 41 | CONTROL BOX COVER | D02873BR | D02873BR | D02875BR | D02875BR |
| 42 | COVER,COMPRESSOR | D02893BR | D02893BR | D02895BR | D02895BR |
| 43 | CONDENSER COIL, FORMED | 2B1521R | 2B1541R | 2A9681R | 2B1981R |
| 44 | REPL. HAIL GUARD KIT (NOT SHOWN) | 917206 | 917206 | 917206 | 917206 |
| 45 | CONDENSER GRILL, FORMED (NOT SHOWN) | 2A8152R | 2A8154R | 2A8156R | 2B4831R |
| 46 | CORNER POST | D09993BR | D09993BR | D09999BR | D09999BR |
| 47 | DUCT COLLAR 12" | 250101 | 250101 | 250101 | 250101 |
| | DUCT COLLAR 14" | 250102 | 250102 | 250102 | 250102 |
| 48 | CORE,CHARGING PORT (NOT SHOWN) | 662103 | 662103 | 662103 | 662103 |
| 49 | ACCESS FITTING (NOT SHOWN) | 663812 | 663812 | 663812 | 663812 |
| 50 | FILTER DRIER, BIFLOW | 669762 | 669762 | 669762 | 669762 |
| 51 | HI-FLOW PORT (NOT SHOWN) | 664329 | 664329 | 664329 | 664329 |
| 52 | HI-FLOW CORE (NOT SHOWN) | 664331 | 664331 | 664331 | 664331 |
| 53 | COMPRESSOR BOLT | 600400 | 600400 | 600400 | 600400 |
| 54 | COMPRESSOR GROMMET | 664530 | 664530 | 664530 | 664530 |
| 55 | SET OF WIRES (NOT SHOWN) | 920902 | 920902 | 920903 | 920903 |
| 56 | AMBIENT SENSOR (NOT SHOWN) | 624701 | 624701 | 624701 | 624701 |
| 57 | HI PRESSURE SWITCH (NOT SHOWN) | 632473 | 632473 | 632473 | 632473 |
| 58 | PAINT,TOUCH-UP STLG GR TEXTURE | 903598 | 903598 | 903598 | 903598 |
| 59 | STRAP,FILTER/DRIER (NOT SHOWN) | 2A2201 | 2A2201 | 2A2201 | 2A2201 |
| 60 | WIRE GROMMET (NOT SHOWN) | 689514 | 689514 | 689514 | 689514 |
| 61 | TOP COIL HEADER COVER | 2B1001 | 2B1001 | 2B1001 | 2B1001 |
| 62 | BOTTOM COIL HEADER COVER | 2B3191 | 2B3191 | 2B3193 | 2B3193 |
| 63 | SIDE COIL HEADER COVER | 2B3171 | 2B3171 | 2B3173 | 2B3173 |
| 64 | SIDE COIL HEADER COVER | 2B0301 | 2B0301 | 2B0303 | 2B0303 |
| 65 | COIL TEMERATURE SENSOR (NOT SHOWN) | 624740 | 624740 | 624740 | 624740 |
| 66 | LOW PRESSURE SWITCH (NOT SHOWN) | 632604 | 632604 | 632604 | 632604 |
| 67 | MOTOR CONTROLLER BRACKET | — | — | 2B2151 | 2B2151 |
| 68 | COMPRESSOR MOLDED PLUG HV (NOT SHOWN) | 634660 | 634660 | 634660 | 634660 |
| 69 | COMPRESSOR MOLDED PLUG LV (NOT SHOWN) | 634682 | 634682 | 634682 | 634682 |

Please specify Model No., Serial No, and the correct part number(s) when ordering parts from the nearest authorized dealer or service center.

NORDYNE
COMPLETE COMFORT. GENUINE VALUE.

Specifications & illustrations subject to change without notice or incurring obligations.
O'Fallon, MO | Printed in U.S.A. (07/11)



709160A (Replaces 7091600)