

Installation Instructions

Flue Exhaust Kit

These instructions are primarily intended to assist qualified individuals experienced in the proper installation of heating and/or air conditioning appliances. Some local codes require licensed installation/service personnel for this type of equipment. All installations must be in accordance with these instructions and with all applicable national and local codes and standards. Before beginning the installation, read these instructions thoroughly and follow all warnings and cautions in the instructions and on the unit. **WARNING** indicates a potentially hazardous situation that if not avoided, could result in personal injury or death. **CAUTION** indicates a potentially hazardous situation that if not avoided, may result in minor or moderate injury or property damage.

INTRODUCTION

This kit is for use on outdoor gas fired/AC units for use in commercial applications. The applicable units for installation are R6(GN,GP) models with cooling capacities ranging from 6 Tons to 10 Tons. The components of this kit make it possible to vent the products of gas combustion to a height of two feet above the top of the unit.

Installation Instructions	1
Telescoping Flue Body	1
Start Collar, 5 inch	1
Elbow, 90°, 5 inch	1
Flue Support Bracket	1
Screw, #10 X 1/2 inch	15
Bolt, #18 X 1-3/4 inch	1
Hex Nut, #18	1
Lock Washer	1

Table 1. Flue Exhaust Kit Contents

INSTALLATION OF FLUE EXHAUST KIT

WARNING

Shut off the gas supply at the manual gas shutoff valve, before disconnecting the electrical power. A fire or explosion may result causing property damage, personal injury or loss of life. Failure to follow the safety warnings exactly could result in serious injury, death or property damage.

1. Shut off gas supply and disconnect electrical power to the unit.
2. Use Table 2 and Figure 1 to determine the proper length of flue body for your installation.

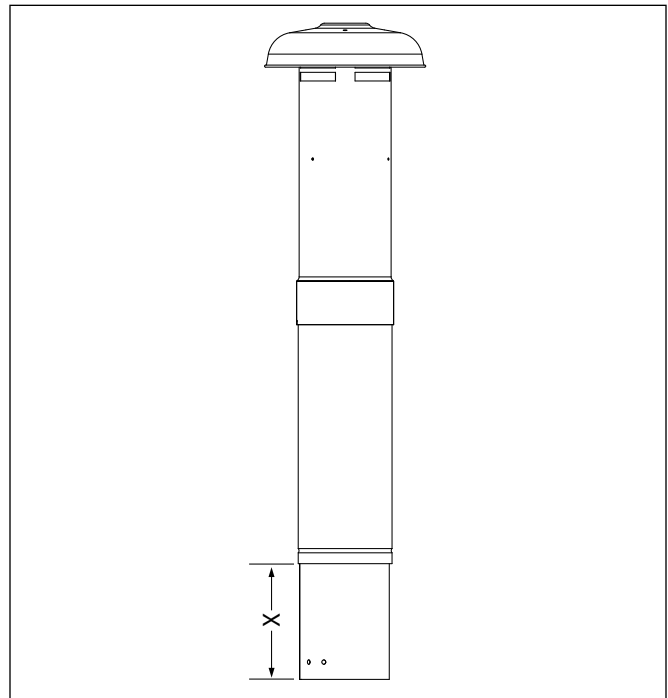


Figure 1. Flue body Length

Unit Height (in.)	X (in.)
43.5	1.75
55.25	6.25

Table 2. Flue Body Length

3. Use three of the self drilling screws to secure the inner and outer flue sections together. As seen in Figure 2, the channel in the outer flue section is provided allow a consistent screw pattern around the circumference of the flue body. The screws must be spaced at even intervals (120 degrees apart) around the flue body.

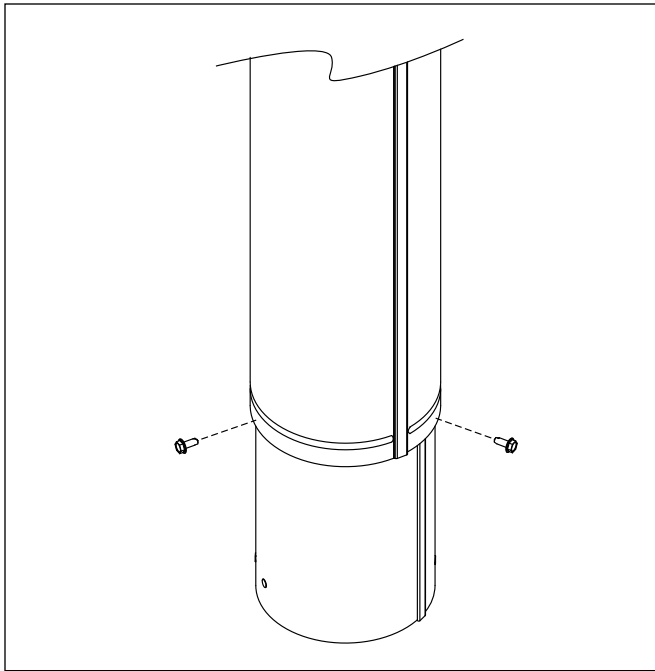


Figure 2. Securing the Flue Body

4. Slide the flue support bracket onto the flue body. It will be secured later to both the flue body and the side of the unit.
5. Connect the flue body to the five inch 90 degree elbow using three of the self drilling screws. The screws must be spaced at even intervals (120 degrees apart) around the inner portion flue body. The screws need to be no less than ½ inch from both the crimped end of the elbow and the flue body. See Figure 3 for the assembly up to this point.

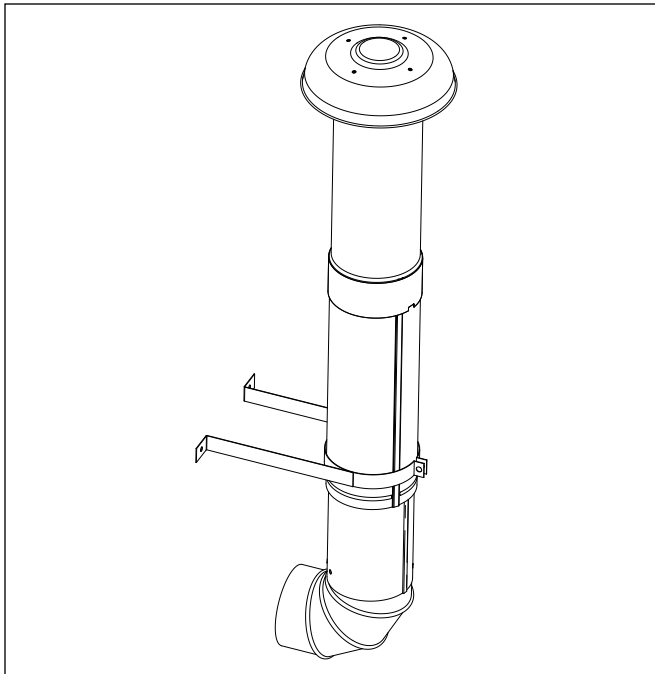


Figure 3. Flue Assembly

⚠ CAUTION

Vent cover assembly must be removed from the unit to ensure proper function. Damages to the unit and kit could result from improper installation.

6. If the vent cover assembly is installed on the unit, remove it before continuing with the installation.
-

⚠ CAUTION

Start collar must allow exhaust gas to flow through it unrestricted to insure proper operation of the unit.

⚠ CAUTION

The start collar must fit tightly against the outside of the unit. Any opening could allow debris or wildlife to enter and impede the flow of exhaust gas.

7. Install the start collar on the unit using four self drilling screws. Do this carefully so as not to cover any portion of the unit's rectangular exhaust cutout. See Figure 4.

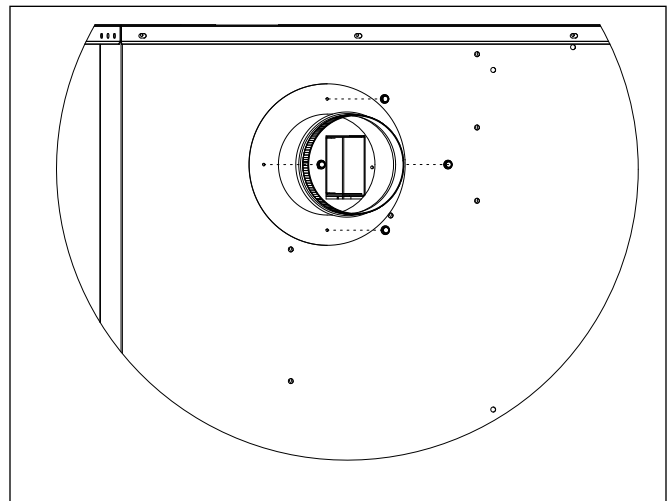


Figure 4. Start Collar Attachment

8. Slide the 90 degree elbow onto the start collar taking care that the start collar is fully inserted. During this process also ensure that flue support bracket has the legs facing toward the unit. See Figure 5 for detail.

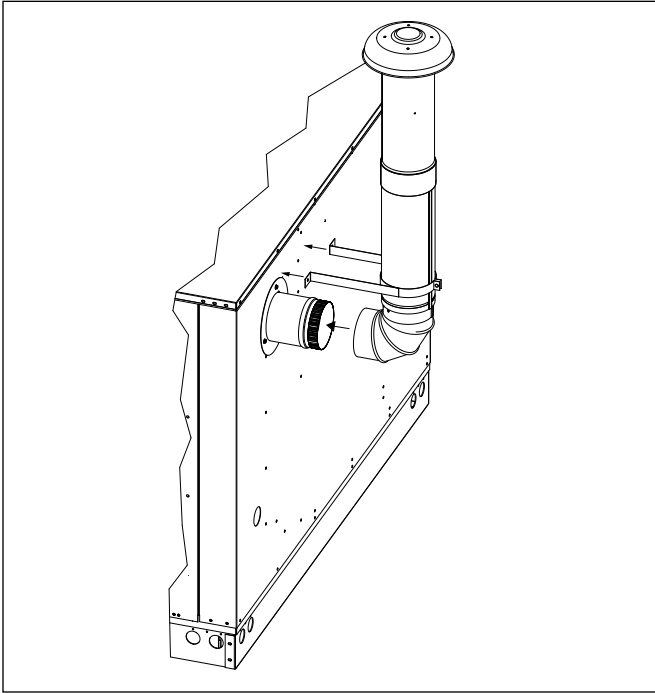


Figure 5. Start Collar Insertion

9. Fasten the flue support bracket to top lip of the unit using two self drilling screws. Take care in this portion of the installation to ensure that the flue body is properly supported so as to not put any unintentional stress or strain on the assembly or bracket. See Figure 6 for installation location.

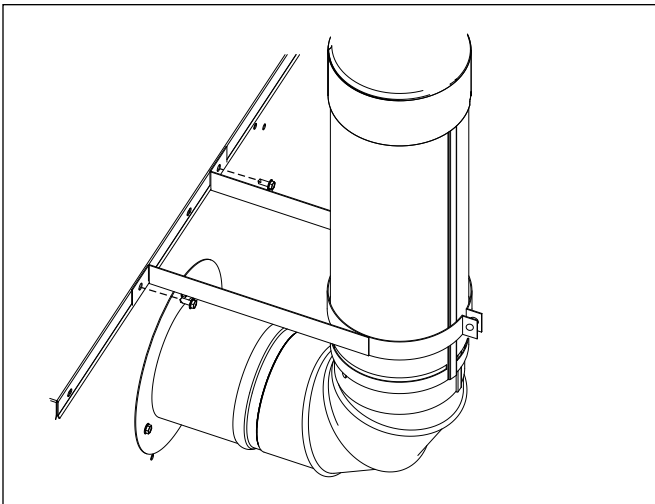


Figure 6. Support Bracket Attachment

10. Secure the 90 degree elbow to the start collar using three self drilling screws spaced at 120 degree intervals around the circumference of the elbow as shown in Figure 7.

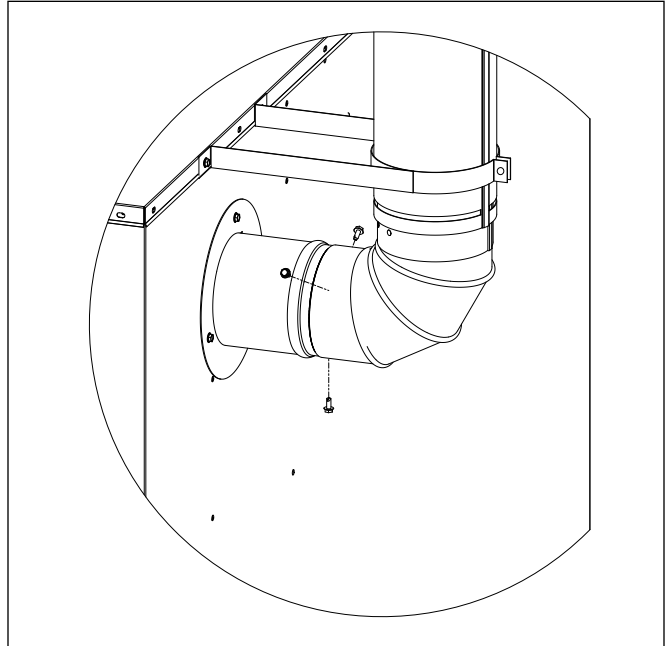


Figure 7. Start Collar to Flue Assembly

11. Tighten the flue support bracket around the flue assembly with the #18 bolt, nut and lock washer (see Figure 8). Make sure that the bracket is adequately tight around the flue so there no movement. The bracket and assembly will stiffen as the bolt is tightened.

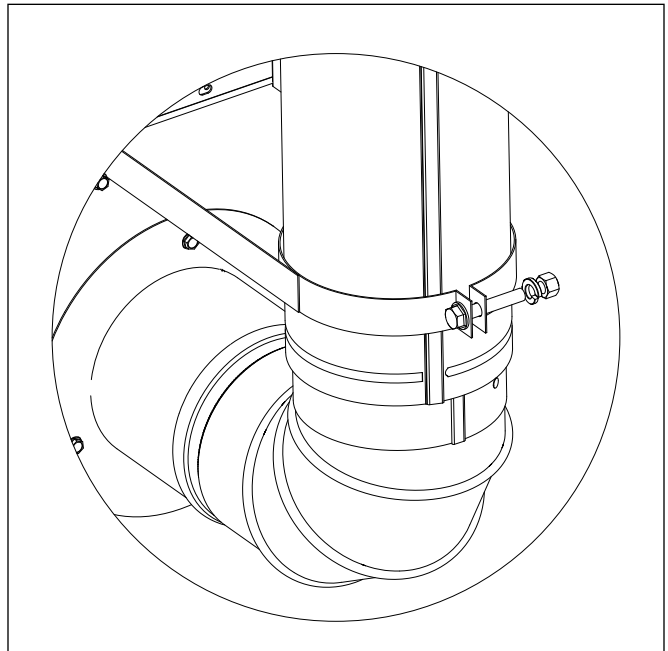


Figure 8. Support Bracket Tightening

12. After the installation is complete (See Figure 9), restore electrical power to the unit. Then restore gas supply to the unit.

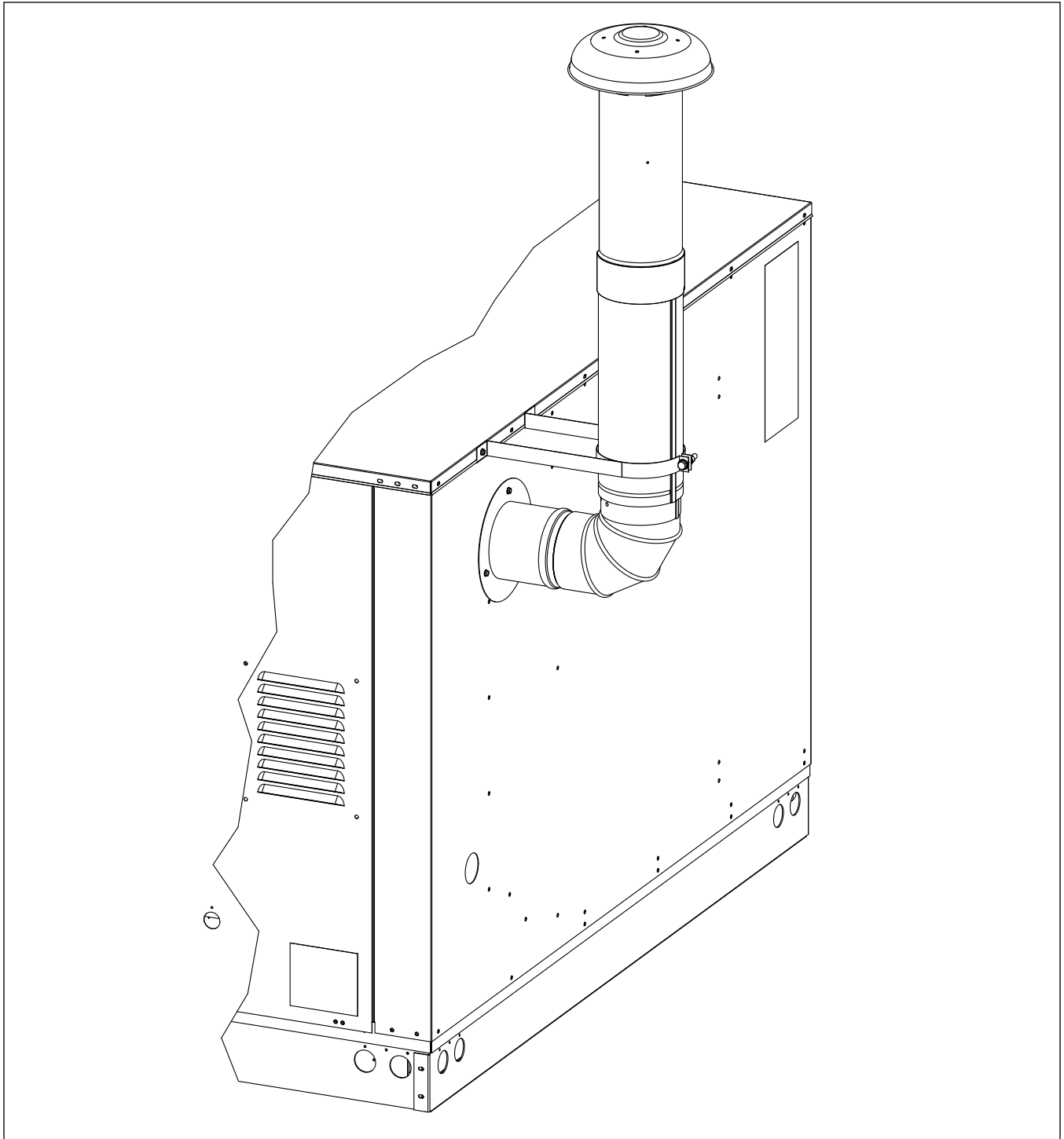


Figure 9. Final Assembly

