

HORIZONTAL CONVERSION KIT

INSTALLATION INSTRUCTIONS

SPLIT SYSTEM INDOOR COILS

ABOUT THE CONVERSION KIT

The horizontal conversion kit is designed to allow cased coils to be mounted in the horizontal right or the horizontal left position. The position is determined by airflow direction when looking at the front of the unit as shown in Figure 1. **NOTE:** Before converting the cased coil to a horizontal configuration, determine if the installation is a horizontal left or right application. **The kit must be installed before the refrigerant lines are connected.**

INSTALLATION

1. Remove the coil access doors.
2. Slide the coil straight out the front of the unit.
3. Remove the knockouts from the front and rear delta plates. See Figure 2.

NOTE: The coil has two sets of 1/4" knockouts; one set in the front delta plate and one set in the rear delta plate. The holes are used for holding the coil support rod in either horizontal application (left or right). It is important that only one hole from each set is opened. If the wrong hole is opened, seal it with metal tape to prevent air leakage. To determine which holes to open, locate your installation type in Figure 1.

- **For 18" conversion kits, continue to step 4.**
 - **For 24" or 28" conversion kits, skip to step 6.**
4. Prepare the horizontal drain pan for installation by cleaning the 1" x 5/8" recessed areas (bottom of the pan) with the alcohol wipe supplied in the kit.
 5. Peel off the paper backing from the mounting tape on the back of the clips and mount them in the cleaned recessed areas of the drain pan. These clips will hold the support rod in place once installed. **NOTE:** To determine which end of the pan to mount the clips on, locate your installation type in Figure 3. Install the clips with the open end facing inwards as shown in Figure 3.

6. Install the coil support rod by inserting the ends of the rod into the knocked out holes as shown in Figure 2. **NOTE:** The coil support rod (with the tabs on the end) goes in the holes that are in the front of the coil. Make sure the rod ends clear the copper parts of the coil when installed with the drain pan in step 7.
7. Attach the horizontal drain pan to the coil as shown in Figure 2.
8. Install the plastic plug into the open hole of the vertical drain pan to block bypass air flow. See Figure 2.
9. Place the insulation sheet (supplied with the kit) inside the coil cabinet. Lay it on the surface the horizontal drain pan will lay.
10. Place the coil and drain pan assembly back into the cabinet as shown in Figure 1.

- **For 18" conversion kits:** Slip the bottom flange of the drain pan extension under the coil support rod in the drain pan. Make sure the side tabs fit inside the drain pan on each side between the drain pan inside wall and the coil support rod. See Figure 4. **NOTE:** Before installing the drainpan extension, the flange that the support rod rests on needs to be bent, creating a "C-Channel". This will ensure the extension stays in place. To create the "C-Channel", bend the flange upwards 90° (along the perforation) as shown in Figure 4.
- **For 24" or 28" conversion kits:** The holes in the drain pan extension should be pressed over the nibs molded into the drain pan. To determine which pair of holes to use depends on how the unit is installed horizontally (left or right). Verify proper positioning for clearance thru the top of the coil cabinet before affixing.

NOTE: The drain pan extension should extend into the existing ductwork several inches. The drain pan extension can be installed and removed after the ductwork has been attached to the cased coil.

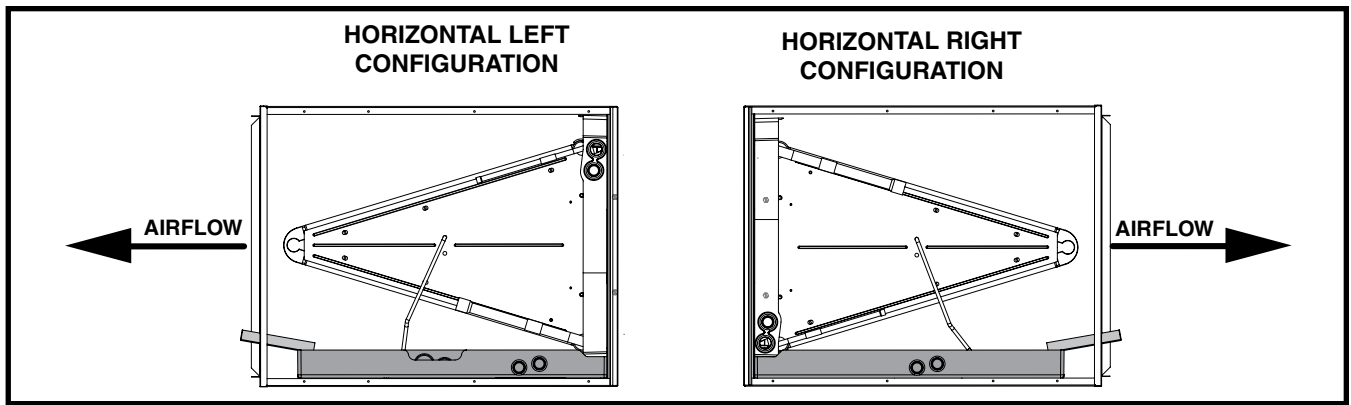
11. Reinstall the doors and secure with their screws.

IMPORTANT

It is your responsibility to know how to properly operate the equipment according to strict safety guidelines and maintaining it for the life of the product. Safety should always be the deciding factor when using this device and using common sense plays an important role as well. Pay attention to all safety warnings and any other special notes highlighted in the manual.

These instructions are primarily intended to assist qualified individuals experienced in the proper usage of this equipment. Please read all instructions carefully before using this device. Improper usage of this equipment or failure to follow safety warnings could result in serious injury, death, or property damage.

DO NOT DESTROY. PLEASE READ CAREFULLY & KEEP IN A SAFE PLACE FOR FUTURE REFERENCE.



**Figure 1. Horizontal Configurations
(with Drain Pan Extension)**

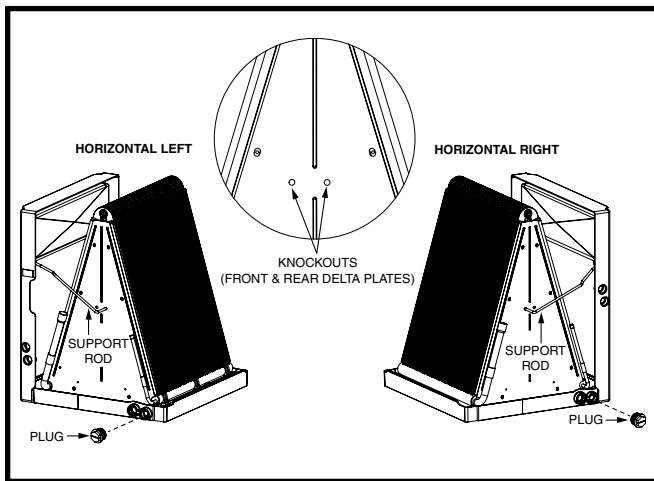


Figure 2. Drain Pan Installation

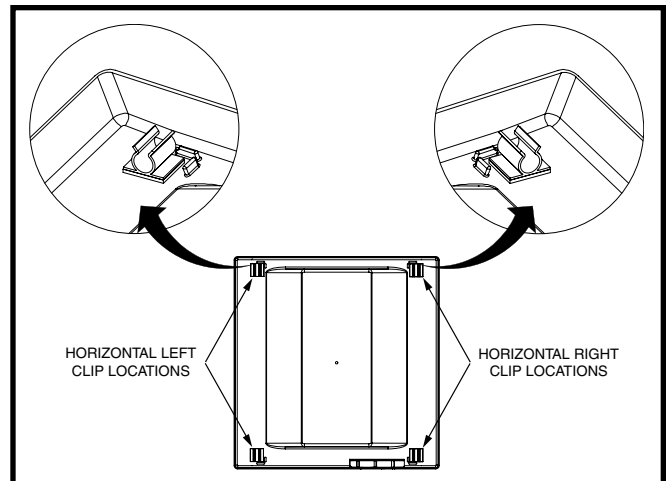


Figure 3. Support Rod Clip Locations

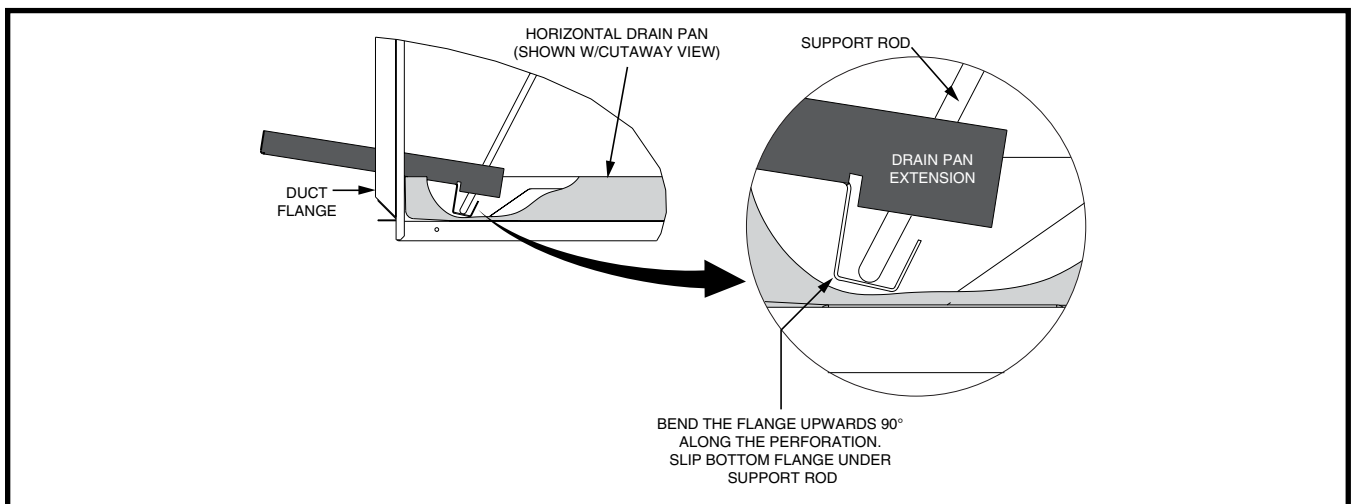


Figure 4. Drain Pan Extension

