

Split System Indoor Coils

Installation Instructions

Horizontal Conversion Kit

DESCRIPTION

These instructions are primarily intended to assist qualified individuals in the proper installation of this appliance. Some local codes require licensed installation/service personnel for this type of equipment. Read all instruction carefully before starting the installation.

INTRODUCTION

This kit is designed to allow the Cased Coils to be mounted in the horizontal right or the horizontal left position. (Position determined by airflow direction when looking at the front of the unit)

INSTALLATION

NOTE: Before converting the Cased Coil to a horizontal configuration, determine if the installation is a horizontal left or right application. (See Figure 1.) **The kit must be installed before the refrigerant lines have been connected.**

PROCEDURE

- 1) Remove the coil access doors.
- 2) Slide the coil straight out the front of the unit.
- 4) The coil will have two sets of 1/4" knockouts to be used for either horizontal left or horizontal right applications. Remove the knockouts that are on the side of the coil delta plate in which the horizontal drain pan will be on. (See Figures 3,4.)
- 5) For 26" or 30" tall cabinets, skip to step 7.
- 6) To prepare the horizontal drain pan, attach the stick-on clips. First, use the alcohol wipe supplied with the kit to clean the 1" x 5/8" recessed areas in the bottom of the pan. Then peel off the sticky back cover on the clips and place them in the cleaned recessed area of the pan. The clips should open towards the inner raised area in the bottom of the pan as shown. (See Figure 3)

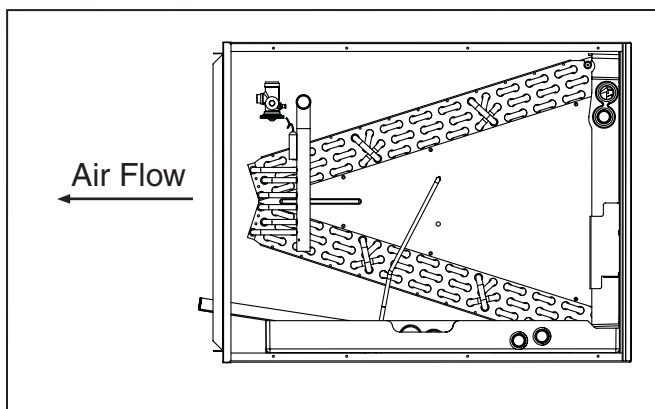


Figure 1. C6 Horizontal Left Configuration with Drain Pan Extension

- 7) To place the coil support rod, insert the ends of the rod into the knocked out holes.

NOTE: The END of the coil support rod with the crimped tabs should go on the front of the coil and should clear the copper parts of the coil when installed with the drain pan on the next step.

- 8) Attach the horizontal drain pan to the coil as shown.
- 9) Insert the extra plastic plug into the open hole in the bottom drain pan to block bypass air flow.
- 10) Place the insulation sheet from the kit inside the coil cabinet to support the horizontal drain pan assembly.
- 11) Slide the coil and the drain pan assembly into the cabinet.
- 12) For cabinets that are 20" tall, slip the bottom flange of the drain pan extension under the coil support rod in the drain pan. Make sure the side tabs fit inside the drain pan on each side between the drain pan inside wall and the coil support rod (See Figure 5.)
- 13) For cabinets that are 26 or 30" tall, the holes in the drain pan extension should be pressed over the nibs molded into the drain pan. Which pair of holes is used will depend on whether the unit is installed horizontal left or horizontal right. Verify proper positioning for clearance thru the top of the coil cabinet before affixing.

NOTE: The drain pan extension should stick into the exiting ductwork several inches.

NOTE: The drain pan extension can be installed and removed after the ductwork has been attached to the cased coil. However, it is easier to do so before.

- 14) Replace the doors and their screws.

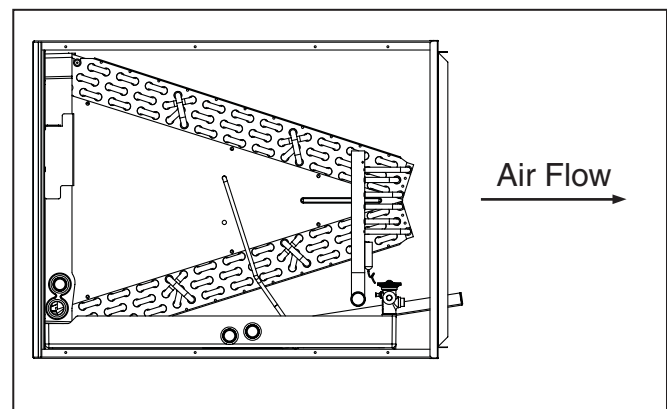


Figure 2. C6 Horizontal Right Configuration with Drain Pan Extension

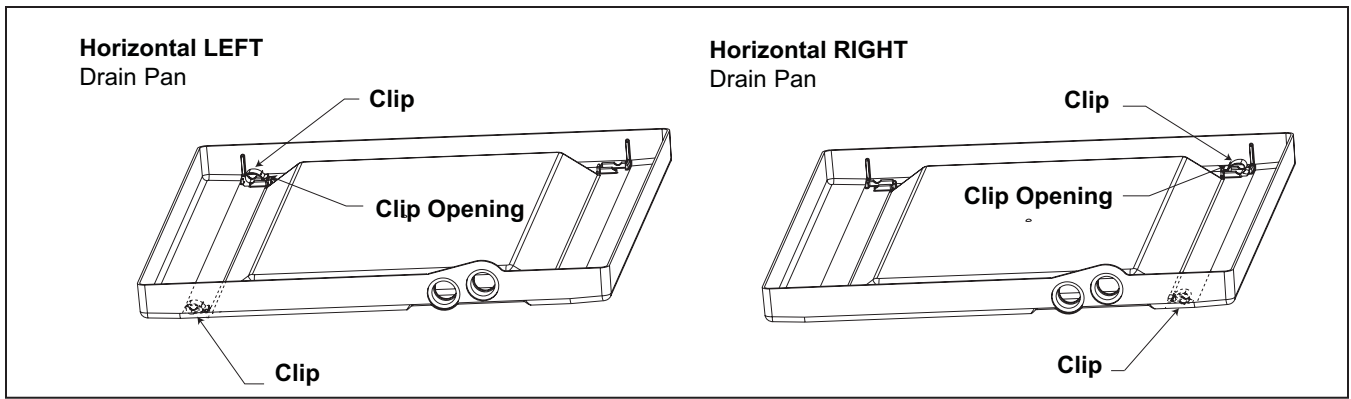


Figure 3.

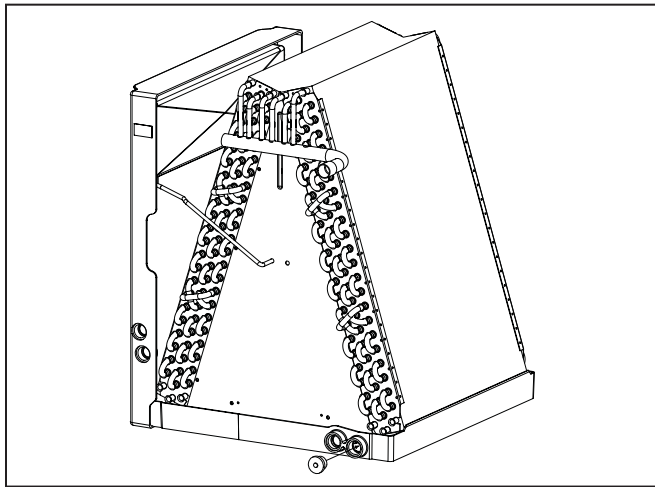


Figure 4. Horizontal Left

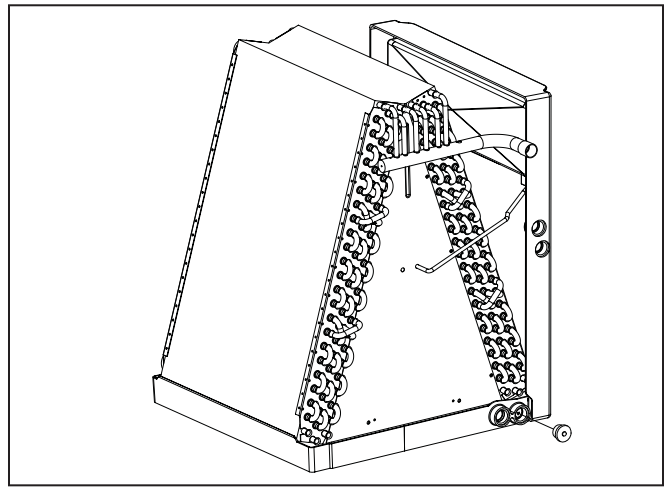


Figure 5. Horizontal right

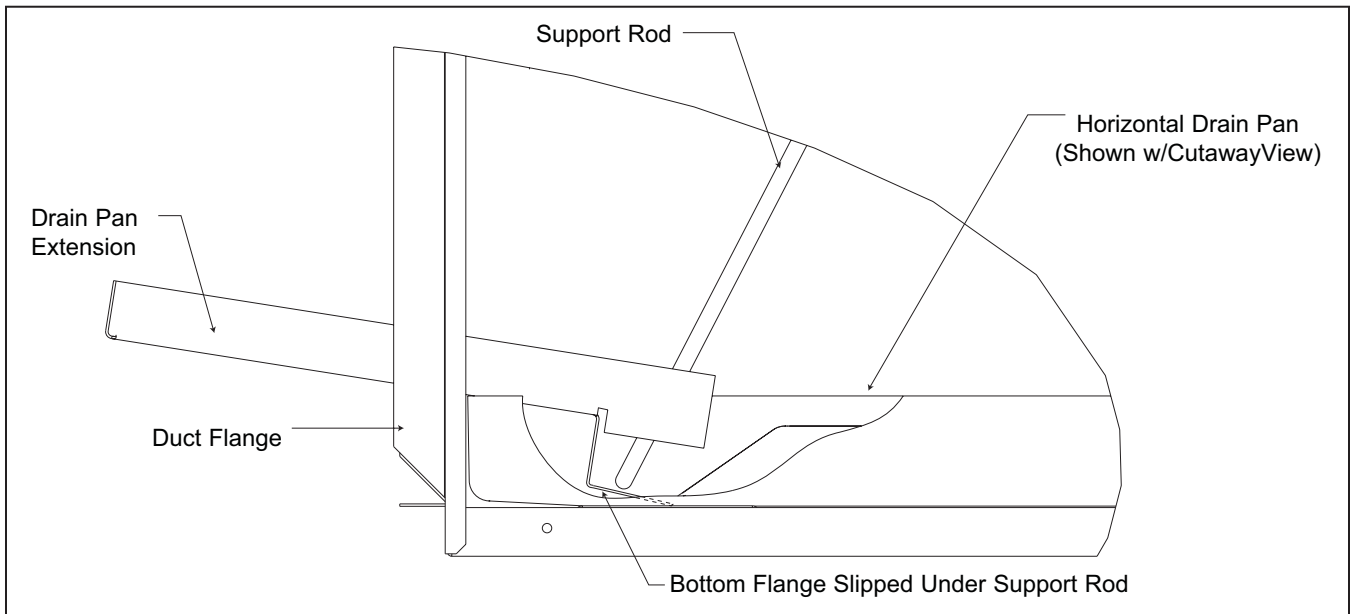


Figure 6. Shown in Horizontal Left

