

DOWNFLOW SUB-BASE KITS 902974 & 904911

INSTALLATION INSTRUCTIONS

For Downflow Gas Furnaces

IMPORTANT: Please read these instructions and the furnace installation instructions carefully before starting the installation. Pay attention to all safety warnings and any other special notes highlighted in these instructions. Safety markings are used frequently to designate a degree or level of seriousness and should not be ignored. **WARNING** indicates a potentially hazardous situation that if not avoided, could result in personal injury or death. **CAUTION** indicates a potentially hazardous situation that if not avoided, may result in minor or moderate injury or property damage.

WARNING:

This sub-base kit must be installed by a qualified service technician in accordance with these instructions and all codes having jurisdiction. Failure to follow these instructions could result in possible damage to equipment, serious personal injury, or death.

This sub-base kit is only approved for use on wood flooring when installing a downflow furnace. This kit should never be used on any other type of combustible flooring material.

Downflow sub-base kits are factory supplied accessories listed according to the cabinet letter of the furnace. For 'B', 'C', and 'D' size cabinets, an adjustable sub-base Kit #904911 must be installed. 'A' size cabinets require the nonadjustable sub-base kit #902974. Measure across the front of the cabinet to obtain furnace width or refer to Table 1 for proper sub base size.

FURNACE SIZE	FURNACE WIDTH	KIT NUMBER
'A' Size Cabinet	14 1/4	902974
'B' Size Cabinet	17 1/2	904911
'C' Size Cabinet	21	
'D' Size Cabinet	24 1/2	

Table 1. Kit Number and Furnace Size

SUB-BASE KIT (P/N 904911) ASSEMBLY

CAUTION:

Use extreme care when handling the sub-base kit. Sheet metal edges are extremely sharp and may result in minor or moderate injury.

Sub-base kit #904911 is an adjustable platform and must be assembled as shown in Figure 1.

1. Layout the left side (6) and right side (1) sections of the kit on a flat surface.
2. Install the front support brace (2) under the left side (6) and right side (1) sections. Fit the two side sections (1 & 6) in both channels (3) of the front support brace (2).

3. Install the rear support brace (5) under the left side (6) and right side (1) sections. Fit the two side sections (1 & 6) in both channels (4) of the rear support brace (5).
4. Adjust the sub-base kit to the appropriate furnace width while aligning the holes in the sides (1 & 6) and support braces (2 & 5). Make sure both sides of the sub-base are symmetrical and holes are centered.
5. Fasten the sub-base components together with 10 screws (7) until the sub base is sturdy and solid.

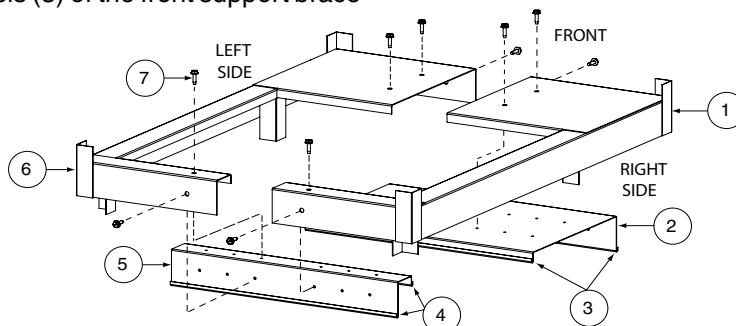


Figure 1. Sub-Base Kit Assembly

SIZING AND ADDING INSULATION TO THE SUB-BASE

Before adding insulation to the frame of the sub-base kit, the insulation pieces must be properly cut to length.

1. Cut the front and rear sections to the proper size. Refer to the dimensions in Figure 2 for proper sizing of the insulation pieces.
2. Spray a layer of duct adhesive or equivalent insulation glue, to the top of sub-base assembly.
3. Carefully place the supplied insulation onto the sub-base, installing the front piece first, then sides and finally the rear piece.

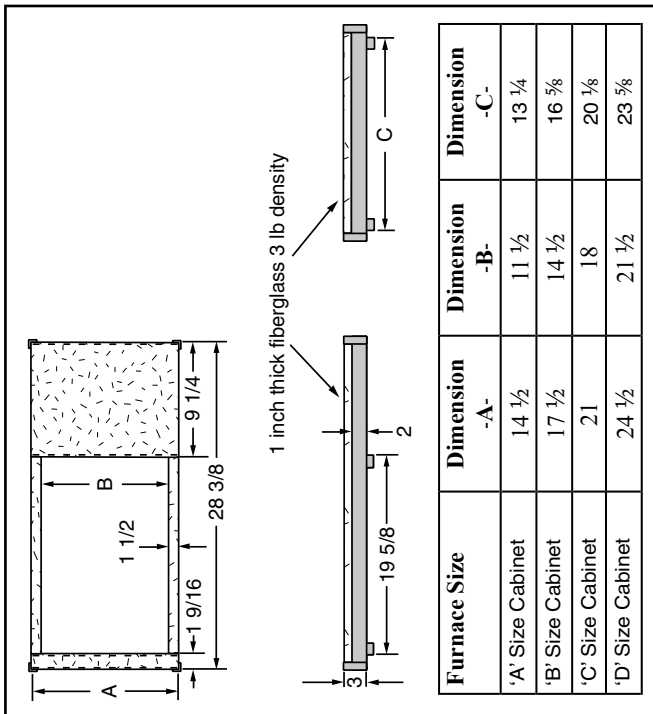


Figure 2. Sub-base and Insulation Dimensions

INSTALLATION ON A COMBUSTIBLE FLOOR

Sub-base kit # 902974 and 904911 are approved for use when installing downflow furnaces. When the furnace is installed on a factory or site built cased air conditioning coil, the sub-base is not necessary. However, the plenum attached to the coil casing must be installed such that its surfaces are at least 1" from combustible material.

1. Cut and frame a hole in the wood floor to the dimensions in Figure 3.
2. Position the sub-base over the hole with duct collar extended downward as shown in Figure 4.
3. Attach the supply air plenum (Figure 4) to the base in a manner which will ensure 1" clearance to the flooring or other combustible material.
4. Position the furnace on the sub-base (Figure 4).

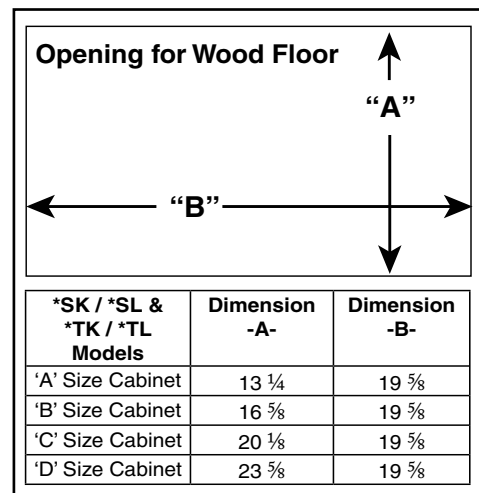


Figure 3. Floor Cutout Dimensions

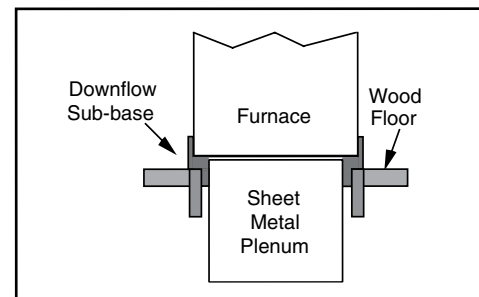


Figure 4. Furnace on a Wood Floor

The installer performing this work assumes all responsibility for this sub-base kit. These instructions are primarily intended to assist qualified individuals experienced in the proper installation of these components. Some local codes require licensed installation/service personnel for this type of equipment. Safety should always be the deciding factor when installing this product and using common sense plays an important role as well. Improper installation of the components or failure to follow safety warnings could result in serious injury, death, or property damage. After completing the installation, return these instructions to the Homeowner's Package for owner-user's future reference.

