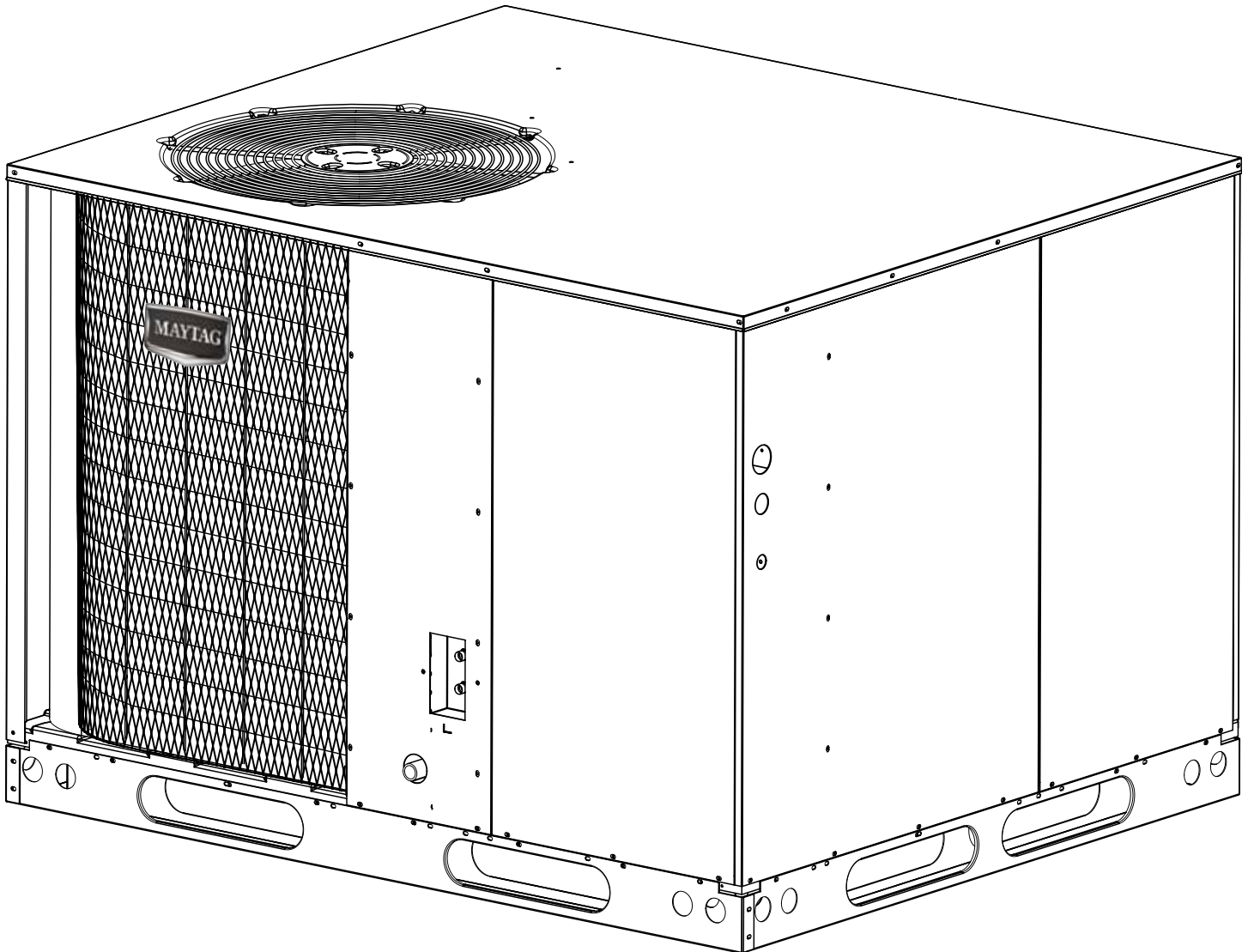


## REPLACEMENT PARTS LIST

### Single Package Heat Pump PPH2SD Series 13 SEER, Single Phase Models



## IMPORTANT

- This document is primarily intended to assist qualified individuals experienced in the proper repair or servicing of this appliance. Only factory authorized parts or accessory kits may be used with this product. Improper installation, service, adjustment, or maintenance may cause explosion, fire, electrical shock or other hazardous conditions which may result in personal injury or property damage.
- Some local codes require licensed installation / service personnel to service this type of equipment. Under no circumstances should the equipment owner attempt to install parts or service this equipment. Failure to comply with this warning could result in property damage, personal injury, or death.

## PPH2SD Single Package Heat Pump 13 SEER, Single Phase Models

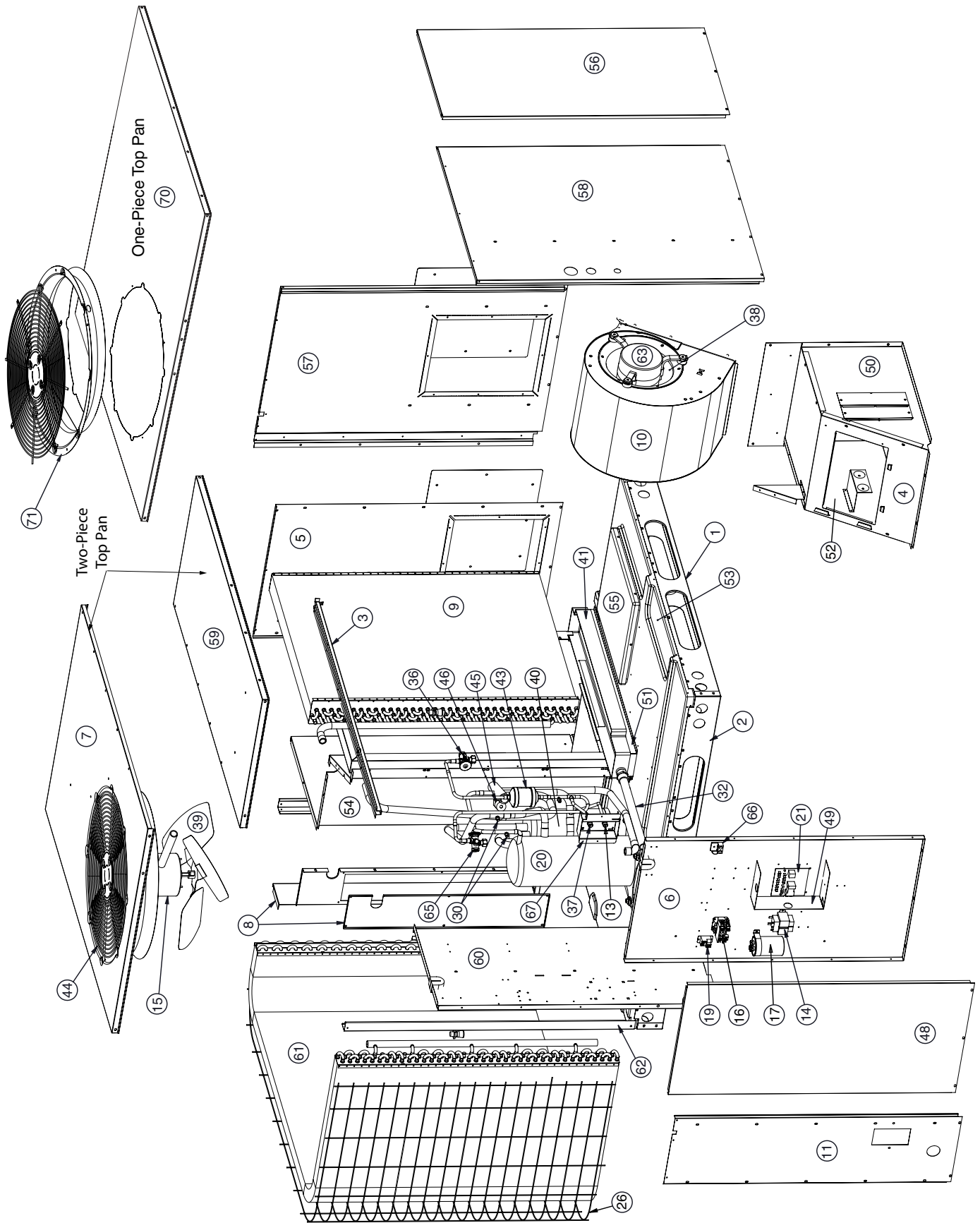
ITEM	DESCRIPTION	PPH2SDX24K	PPH2SDX30K	PPH2SDX36K	PPH2SDX42K	PPH2SDX48K	PPH2SDX60K
		919977P	919978P	919979P	919980P	919981P	919982P
1	RAIL, BASE, SHORT	277551	277551	277551	277551	277551	277551
2	RAIL, BASE, LONG	277552	277552	277552	277552	277552	277552
3	CHANNEL, DRAIN	279722R	279722R	279722R	279722R	279722R	279722R
4	PANEL, BLOWER TRANSITION	283942	283942	283942	283942	283942	283942
5	RETURN PANEL, BRONZE	D05565BR	D05565BR	D05565BR	D05566BR	D05566BR	D05566BR
6	CONTROL PANEL ASSEMBLY	292402R	292402R	—	292403R	292403R	292403R
7	INSULATED TOP PAN ASSEMBLY, RT	292442R	292442R	292402R	292442R	292442R	292442R
8	HEADER COVER ASSEMBLY	293112	293112	293112	293113	293113	293113
9	INDOOR COIL ASSEMBLY	283091R	283091R	283091R	D06255R	D06255R	D06256R
10	BLOWER HSG ASSEMBLY, 9/10X10	297214	297214	297214	297214	297214	297214
11	FRONT PANEL, BRONZE	298892BR	298892BR	298892BR	298893BR	298893BR	298893BR
12	NUT, HEX, BLACK (NOT SHOWN)	606261	606261	606261	606261	606261	606261
13	BRASS NUT, SERVICE PORT	618084	618084	618084	618084	618084	618084
14	TRANSFORMER 40 VA	621709	621709	621709	621709	621709	621709
15	FAN MOTOR, 1/4 HP	—	—	621721	621721	621721	—
	FAN MOTOR, 1/3 HP	—	—	—	—	—	621740
	FAN MOTOR, 1/5 HP	622080	622080	—	—	—	—
16	CONTACTOR, 1 POLE, 25A	621661	621661	621661	—	—	—
	CONTACTOR, 1 POLE, 30A	—	—	—	621662	621662	621662
17	CAPAC, RUN 80/7.5/370	—	—	—	—	—	621717
	CAPAC, RUN 70/7.5/370	—	—	—	—	621944	—
	CAPAC, RUN 40/5/370	620763	620763	—	—	—	—
	CAPAC, RUN 45/7.5/370	—	—	621153	621153	—	—
18	DISTRIBUTOR, 6CIR, ID (NOT SHOWN)	—	—	—	663584	663584	—
	DISTRIBUTOR, 8CIR, ID (NOT SHOWN)	—	—	—	—	—	663586
	DISTRIBUTOR, 3CIR, ID (NOT SHOWN)	663913	663913	663913	—	—	—
19	RELAY,BLOWER, 240V COIL	622180	622180	622180	622180	622180	622180
20	COMPRESSOR, ZP21K5E-PFV	921423	—	—	—	—	—
	COMPRESSOR, ZP25K5E-PFV	—	921425	—	—	—	—
	COMPRESSOR, ZP31K5E-PFV	—	—	921427	—	—	—
	COMPRESSOR, ZP39K5E-PFV	—	—	—	919607	—	—
	COMPRESSOR, ZP42K5E-PFV	—	—	—	—	918872	—
	COMPRESSOR, ZP54K5E-PFV	—	—	—	—	—	918873
21	DEFROST BOARD	624656	624656	624656	624656	624656	624656
22	DEFROST SENSOR (NOT SHOWN)	626488	626488	626488	626488	626488	626488
23	FUSE, 3-AMP (NOT SHOWN)	632261	632261	632261	632261	632261	632261
24	LOW PRESSURE SWITCH (NOT SHOWN)	632399	632399	632399	632399	632399	632399
25	HIGH PRESSURE SWITCH (NOT SHOWN)	632401	632401	632401	632401	632401	632401
26	GUARD, COIL (FORMED), BLACK	D09373B	D09373B	D09373B	D09374B	D09374B	D09374B
27	MOLDED PLUG (NOT SHOWN)	634676	634676	634676	634676	634676	634676
28	CORE, CHARGING PORT (NOT SHOWN)	662103	662103	662103	662103	662103	662103
29	DISTRIBUTOR, 4 CIR, OD (NOT SHOWN)	663581	663581	663581	—	—	—
	DISTRIBUTOR,5 CIR, OD (NOT SHOWN)	—	—	—	663582	663582	—
	DISTRIBUTOR, 6 CIR, OD (NOT SHOWN)	—	—	—	—	—	664351
30	FITTING, ACCESS	663812	663812	663812	663812	663812	663812

Please specify Model No., Serial No., & the correct part number(s) when ordering parts from the nearest authorized dealer or service center.

## PPH2SD Single Package Heat Pump 13 SEER, Single Phase Models (Continued)

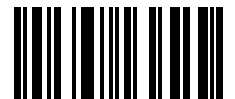
ITEM	DESCRIPTION		PPH2SDX24K	PPH2SDX30K	PPH2SDX36K	PPH2SDX42K	PPH2SDX48K	PPH2SDX60K
			919977P	919978P	919979P	919980P	919981P	919982P
31	CAP, SERVICE PORT, BRASS (NOT SHOWN)		663818	663818	663818	663818	663818	663818
32	DRAIN TUBE ASSEMBLY		663833	663833	663833	663833	663833	663833
33	RESTRICTOR (NOT SHOWN)	.048	664048	—	—	—	—	—
	RESTRICTOR (NOT SHOWN)	.052	—	664052	—	—	—	—
	RESTRICTOR (NOT SHOWN)	.053	—	—	664053	—	—	—
34	CONNECTOR, SWIVEL(NOT SHOWN)		664194	664194	664194	—	—	—
35	CORE, PORT, HI FLOW, BRASS(NOT SHOWN)		664331	664331	664331	664331	664331	664331
36	THERMAL EXPANSION VALVE,ID		664343	664343	664343	664345	664345	664347
37	FITTING,PANEL MNT, HI-FLOW, 3/8"		664393	664393	664393	664393	664393	664393
38	WHEEL, BLOWER 10 X 10		667207	667207	667207	667207	667207	667207
39	FAN BLADE		667278	667278	667278	667278	667278	667282
40	ACCUMULATOR		668853	668853	668853	668854	668854	668854
41	PAN, DRAIN		669190	669190	669190	669190	669190	669190
42	REPLACEMENT HAIL GUARD KIT(NOT SHOWN)		917206	917206	917206	917206	917206	917206
43	DRIER, FILTER, BIFLOW, 8 IN^3		669379	669379	669379	669379	669379	669379
44	GRILLE, TOP-24"BLACK		669404	669404	669404	669404	669404	669404
45	REVERSING VALVE		669465	669465	669465	669466	669466	669466
46	REVERSING VALVE COIL		669472	669472	669472	669472	669472	669472
47	TOUCH UP PAINT, BRONZE(NOT SHOWN)		904038	904038	904038	904038	904038	904038
48	SERVICE PANEL, BRONZE		D05112BR	D05112BR	D05112BR	D05113BR	D05113BR	D05113BR
49	DIVIDER,LOW VOLTAGE		D05120	D05120	D05120	D05120	D05120	D05120
50	PANEL,ELECTRIC HEAT		D05420	D05420	D05420	D05420	D05420	D05420
51	STAND,DRAIN PAN		D05440	D05440	D05440	D05440	D05440	D05440
52	PANEL,BLOWER TRANS SIDE		D05450	D05450	D05450	D05450	D05450	D05450
53	BOTTOM PAN ASSEMBLY		D05480R	D05480R	D05480R	D05480R	D05480R	D05480R
54	DIVIDER PANEL ASSEMBLY		D05502R	D05502R	D05502R	D05503R	D05503R	D05503R
55	DUCT CAP ASSEMBLY		283101B	283101B	283101B	283101B	283101B	283101B
56	BLOWER PANEL ASSEMBLY, BRONZE		D05542BR	D05542BR	D05542BR	D05543BR	D05543BR	D05543BR
57	SUPPLY PANEL ASSEMBLY, BRONZE		D05555BR	D05555BR	D05555BR	D05556BR	D05556BR	D05556BR
58	CORNER PANEL ASSEMBLY, BRONZE		D05625BR	D05625BR	D05625BR	D05626BR	D05626BR	D05626BR
59	ASSY, TOP PAN LEFT, BRONZE		293781BR	293781BR	293781BR	293781BR	293781BR	293781BR
60	PANEL,CLOSE-OFF ASSEMBLY		D05685R	D05685R	D05685R	D05686R	D05686R	D05686R
61	COIL,OUTDOOR		D06262R	D06262R	D06262R	D06265R	D06265R	D06266R
62	CORNER POST, BRONZE		D09996BR	D09996BR	D09996BR	D09997BR	D09997BR	D09997BR
63	BLOWER MOTOR, 3/4 HP, X-13		—	—	—	—	M00023903R	M00023903R
	BLOWER MOTOR, 1/2 HP, X-13		M0023910R	M0023915R	M0002944R	M0023916R	—	—
64	SET OF WIRES (NOT SHOWN)		M0038306R	M0038306R	M0038306R	M0038306R	M0038306R	M0038306R
65	THERMAL EXPANSION VALVE,OD.		—	—	—	664346	664346	664348
66	DUAL GROUNDING LUG		632235	632235	632235	632235	632235	632235
67	BRACKET, SERVICE PORT, BRONZE		298551BR	298551BR	298551BR	298551BR	298551BR	298551BR
68	SOUND BLANKET (NOT SHOWN)		689791	689791	689792	689792	689792	689792
69	CCH (NOT SHOWN)		632509	632509	632509	632509	632509	632509
70	ONE-PIECE TOP PAN KIT (ORIFICE INCLUDED)		M0034725	M0034725	M0034725	M0034725	M0034725	M0034725
71	DROP-IN ORIFICE		263210B	263210B	263210B	263210B	263210B	263210B

Please specify Model No., Serial No., & the correct part number(s) when ordering parts from the nearest authorized dealer or service center.



**NORDYNE**  
 COMPLETE COMFORT. GENUINE VALUE.

Specifications & illustrations subject to change without notice or incurring obligations.  
 O' Fallon MO | Printed in U.S.A (05/11)



708871B (Replaces 708871A)