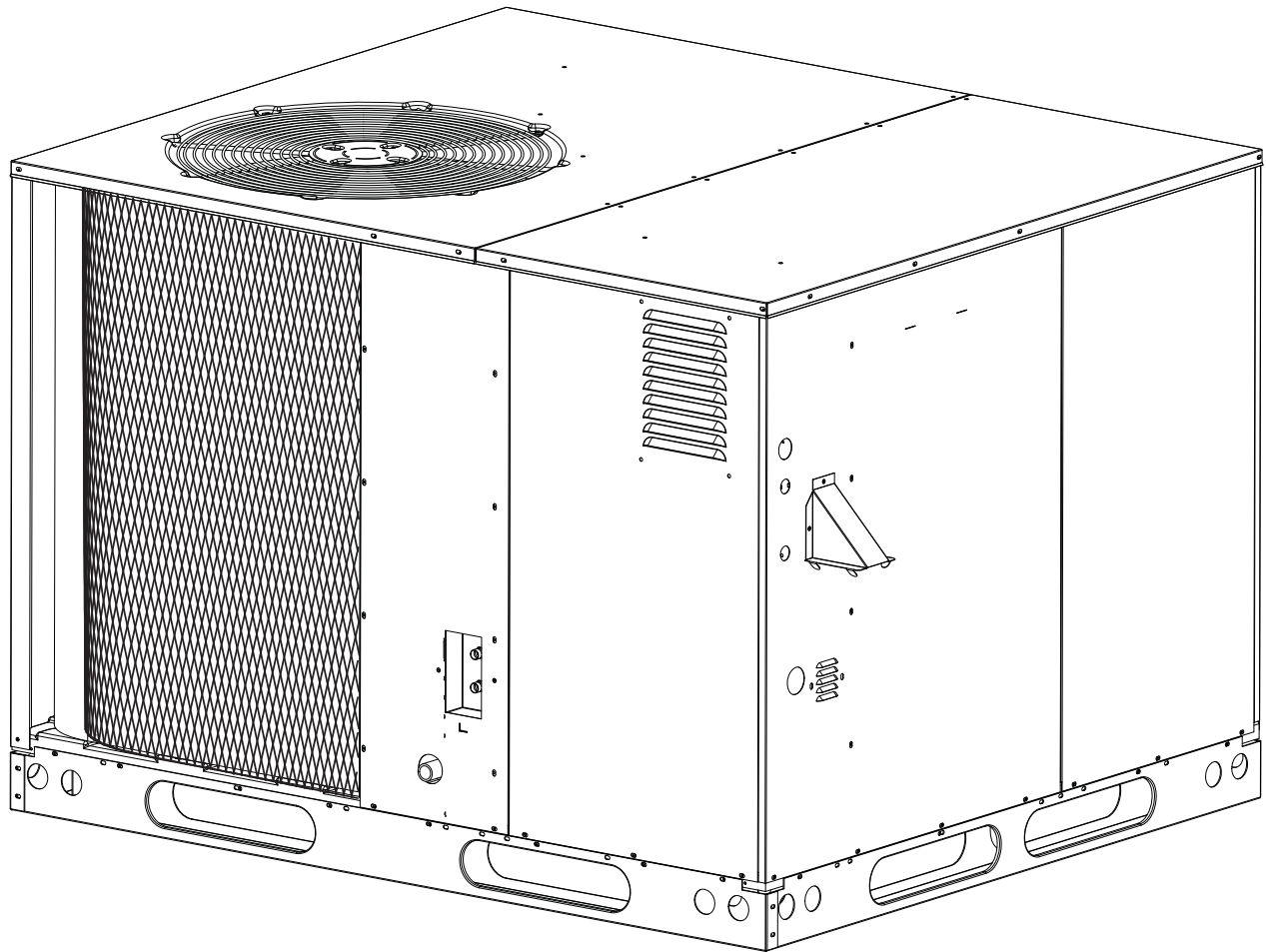


REPLACEMENT PARTS LIST

**Single Package Gas Heating/Electric Cooling
R6GD Three Phase
13 SEER Models**



13 SEER Single Package Gas Heating/ Electric Cooling Model R6GD - 3 Phase

ITEM	PART NO.	DESCRIPTION	R6GD X36C072(*)	R6GD X36C096(*)	R6GD X48C096(*)	R6GD X48C120(*)	R6GD X60C096(*)	R6GD X60C120(*)
			919956	919958	919960	919962	919964	919966
1	277551	RAIL,BASE,SHORT	2	2	2	2	2	2
2	277552	RAIL,BASE,LONG	2	2	2	2	2	2
3	263420R	EXHAUST DUCT ASSY.	1	1	1	1	1	1
4	265040R	VENT COVER ASSY.	1	1	1	1	1	1
5	664329	PORT, HI FLOW (NOT SHOWN)	2	2	2	2	2	2
6	626547	LIM,1/2D,320	1	1	1	1	1	1
7	279722R	CHANNEL,DRAIN	1	1	1	1	1	1
8	D13001R	COIL,INDOOR	1	1				
	D13011R				1	1		
	283621R						1	1
9	287071R	COIL,OUTDOOR	1	1				
	287091R				1	1		
	287101R						1	1
10	292441	TOP RIGHT PAN ASSY.	1	1	1	1	1	1
11	D05660R	TOP PAN ASSY-LEFT	1	1	1	1	1	1
12	D07242R	SERVICE PANEL ASSY.	1	1				
	D07243R				1	1	1	1
13	297214	BLOWER HSG ASSY,9/10X10	1	1	1	1		
	297219	BLOWER HSG ASSY,11X10					1	1
14	298551R	BRACKET,EXT. SERV PT,HI-FLOW	1	1	1	1	1	1
15	298892	PANEL,FRONT	1	1				
	298893				1	1	1	1
16	606261	NUT,HEX,BLACK(NOT SHOWN)	4	4	4	4	4	4
17	618084	NUTHN,H, 1/2-20X.313,BRASS(NOT SHOWN)	2	2	2	2	2	2
18	622132	CAPACITOR, 7.5/370	1	1	1	1	1	1
19	621832	CONTACTOR,3 POLE/30A W/AUX. SW	1	1	1	1	1	1
20	621709	TRANSFORMER 40 VA	1	1	1	1	1	1
21	621721	FAN MOTOR	1	1	1	1	1	1
22	903162	INDUCER MOTOR	1	1	1	1	1	1
23	919609	COMPRESSOR,ZP31K5E	1	1				
	919610	COMPRESSOR,ZP42K5E			1	1		
	919611	COMPRESSOR,ZP54K5E					1	1
24	M0023911R	MOTOR,X-13,1/2HP	1	1				
	M0023912R	MOTOR,X-13,3/4HP			1	1		
	M0023909R	MOTOR,X-13,1HP					1	1
25	624657	GAS VALVE	1	1	1	1	1	1
26	903106	CONTROL BOARD	1	1	1	1	1	1
27	626432	SWITCH, LIMIT (165/145)		1	1	1	1	1
	626467	SWITCH,LIMIT (200/180)	1					
28	632261	FUSE,3-AMP(NOT SHOWN)	1	1	1	1	1	1
29	903179	IGNITOR	1	1	1	1	1	1
30	M0038303	SET OF WIRES(NOT SHOWN)	1	1	1	1	1	1
31	903600	SENSOR, FLAME	1	1	1	1	1	1
32	632427	SWITCH,PRESSURE,NO,0.75	1	1	1	1	1	1
33	632509	HEATER,CRANKCASE,240V/40W,60" (NOT SHOWN)	1	1	1	1	1	1
34	632401	SWITCH,HIGH PRESSURE(NOT SHOWN)	1	1	1	1	1	1
35	634708	PLUG,MOLDED,HV(NOT SHOWN)	1	1	1	1	1	1

13 SEER Single Package Gas Heating/ Electric Cooling Model R6GD - 3 Phase (Continued)

ITEM	PART NO.	DESCRIPTION	R6GD	R6GD	R6GD	R6GD	R6GD	R6GD
			X36C072(*)	X36C096(*)	X48C096(*)	X48C120(*)	X60C096(*)	X60C120(*)
			919956	919958	919960	919962	919964	919966
36	660812	BURNER,INSHOT	3	4	4	5	4	5
37	661043	ORIFICE,MAIN BURNER,#43(NOT SHOWN)	3	4	4	5	4	5
38	662103	CORE,CHARGING PORT(NOT SHOWN)	2	2	2	2	2	2
39	663582	DISTRIBUTOR,5CIR(NOT SHOWN)	1	1				
	663584	DISTRIBUTOR,6CIR(NOT SHOWN)			1	1		
	663586	DISTRIBUTOR,8CIR(NOT SHOWN)					1	1
40	663812	FITTING, ACCESS	1	1	1	1	1	1
41	663818	CAP, SERVICE PORT, BRASS(NOT SHOWN)	3	3	3	3	3	3
42	663833	DRAIN TUBE ASSY	1	1	1	1	1	1
43	664349	THERMAL EXPANSION VALVE,ID(NOT SHOWN)	1	1				
	664350				1	1		
	664275						1	1
44	664331	CORE,PORT,HI FLOW,BRASS(NOT SHOWN)	2	2	2	2	2	2
45	664393	FITTING,PANEL MNT,HI-FLOW,3/8"	2	2	2	2	2	2
46	667207	WHEEL,BLOWER 10 X 10	1	1	1	1		
	667260	WHEEL, BLOWER 11 X 10					1	1
47	667278	FAN BLADE	1	1	1	1	1	1
48	669190	PAN,DRAIN	1	1	1	1	1	1
49	917206	REPLACEMENT HAIL GUARD KIT(NOT SHOWN)	1	1	1	1	1	1
50	669378	DRIER,FILTER,UNIFLOW,8 IN^3	1	1	1	1	1	1
51	283932	BLOWER SHELF	1	1	1	1	1	1
52	669404	GRILLE, TOP-24"BLACK	1	1	1	1	1	1
53	689506	GASKET,COLLECTOR PAN	1	1	1	1	1	1
54	689518	GASKET,INDUCER	1	1	1	1	1	1
55	D10322R	COLLECTOR PAN ASSY	1					
	D10323R	COLLECTOR PAN ASSY		1	1		1	
	D10324R	COLLECTOR PAN ASSY				1		1
56	903598	TOUCH UP PAINT, STERLING GREY	1	1	1	1	1	1
57	D05072	PANEL,HEAT EX.DIVIDER	1	1				
	D05073				1	1	1	1
58	D05480R	BOTTOM PAN ASSY.	1	1	1	1	1	1
59	D05502R	DIVIDER PANEL ASSY.	1	1				
	D05503R				1	1	1	1
60	D05530R	DUCT CAP ASSY.	2	2	2	2	2	2
61	D05542R	BLOWER PANEL ASSY	1	1				
	D05543R				1	1	1	1
62	281493	PANEL,BLOWER DISCHARGE	1	1	1	1	1	1
63	D05552R	SUPPLY PANEL ASSY.	1	1				
	D05553R				1	1	1	1
64	286701R	RETURN PANEL ASSY,W/ACCESS DOOR			1	1	1	1
	286702R		1	1				
65	D05622R	CORNER PANEL ASSY.	1	1				
	D05623R				1	1	1	1
66	D05682R	PANEL,CLOSE-OFF ASSY.	1	1				
	D05683R				1	1	1	1
67	D10312R	HEAT EXCH. PANEL ASSY,3,34"	1					
	D10306R	HEAT EXCH. PANEL ASSY,4,34"		1				
	D10308R	HEAT EXCH. PANEL ASSY,4,38"			1		1	
	D10309R	HEAT EXCH. PANEL ASSY,5,38"				1		1
68	D09996R	CORNER POST	2	2				
	D09997R				2	2	2	2

R6GD - 3 Phase

