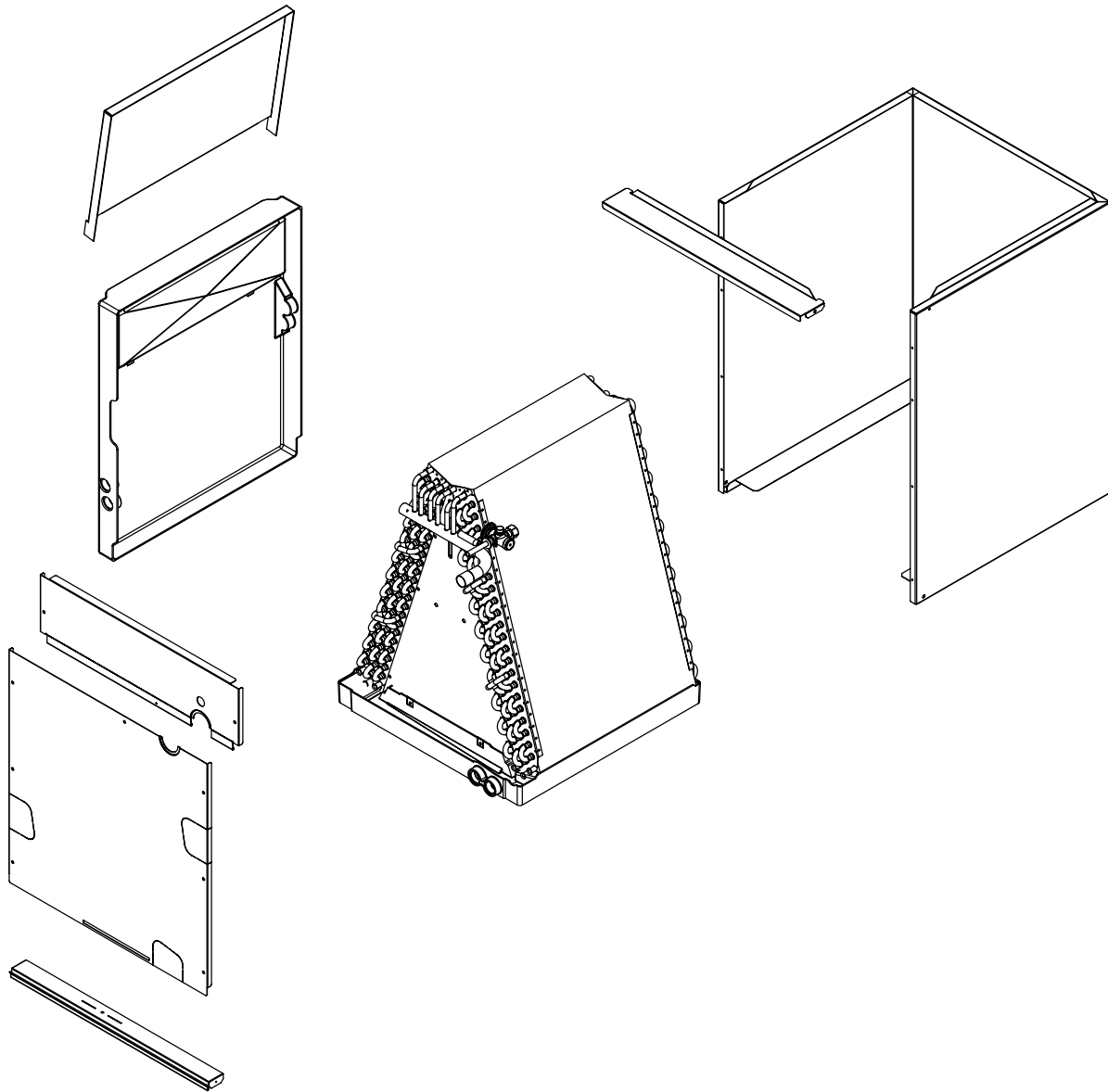


Cased & Horizontal Indoor Coils
(*C6 Series



IMPORTANT

- This document is primarily intended to assist qualified individuals experienced in the proper repair or servicing of this appliance. Only factory authorized parts or accessory kits may be used with this product. Improper installation, service, adjustment, or maintenance may cause explosion, fire, electrical shock or other hazardous conditions which may result in personal injury or property damage.
- Some local codes require licensed installation / service personnel to service this type of equipment. Under no circumstances should the equipment owner attempt to install parts or service this equipment. Failure to comply with this warning could result in property damage, personal injury, or death.

C6BA-F CASED COILS

DESCRIPTION	F24C-A	F36C-A	F24C-B	F36C-B	F42C-B	F48C-C	F60C-C	F48C-D	F60C-D
REPLACEMENT COIL ASSEMBLY	920562	920564	920566	920568	920570	920572	920574	920576	920578
DRAIN PAN	669669	669669	669670	669670	669670	669671	669671	669672	669672
TXV ASSEMBLY	N/A	N/A	N/A	N/A	N/A	N/A	N/A	N/A	N/A
DISTRIBUTOR ASSEMBLY	664406	664407	664406	664407	664407	664407	664408	664385	664408
TIE BAR, UPPER	297221	297221	297222	297222	297222	297223	297223	297224	297224
TIE BAR, LOWER	297231	297231	297232	297232	297232	297233	297233	297234	297234
COIL CAPTURE BRACKET, FRONT	295502	295502	295502	295502	295502	295502	295502	295502	295502
COIL CAPTURE BRACKET, REAR	295512	295512	295512	295512	295512	295512	295512	295512	295512
DOOR, UPPER	297241	297241	297242	297242	297242	297243	297243	297244	297244
DOOR, LOWER	297151	297151	297161	297161	297162	297171	297172	297181	297181
WRAPPER	297251	297251	297261	297261	297262	297271	297272	297281	297281
PLATE, COIL SPACING	280621	280621	2A1721	2A1721	298001	298011	297901	2A1991	298021
HORIZONTAL DRAIN PAN KIT	920265	920265	920265	920265	920266	920266	920267	920267	920267
FITTING, LIQ LINESET, C6	664378	664378	664378	664378	664378	664378	664378	664378	664378
FITTING, LIQ LINESET RETAIN NUT	664387	664387	664387	664387	664387	664387	664387	664387	664387
BULKHEAD NUT, TXV	606287	606287	606287	606287	606287	606287	606287	606287	606287
BULKHEAD WASHER, TXV	612068	612068	612068	612068	612068	612068	612068	612068	612068
BULKHEAD EXTENSION, DOGLEG	664494	664494	N/A	N/A	N/A	N/A	N/A	N/A	N/A

C6BA-T CASED COILS

DESCRIPTION	T24C-A	T30C-A	T24C-B	T30C-B	T36C-B	T42C-B	T36C-C	T42C-C	T48C-C	T60C-C	T42C-D	T48C-D	T60C-D
REPLACEMENT COIL ASSEMBLY	920004	920022	920013	920031	920052	920061	920184	920070	920079	920097	920190	920088	920106
DRAIN PAN	669669	669669	669670	669670	669670	669670	669671	669671	669671	669671	669672	669672	669672
TXV ASSEMBLY	669550	669552	669690	669691	669692	669693	669692	669693	669694	669695	669693	669694	669695
DISTRIBUTOR ASSEMBLY	664384	664385	664384	664385	664385	664385	664385	664385	664386	664386	664385	664386	664386
TIE BAR, UPPER	297221	297221	297222	297222	297222	297222	297223	297223	297223	297223	297224	297224	297224
TIE BAR, LOWER	297231	297231	297232	297232	297232	297232	297233	297233	297233	297233	297234	297234	297234
COIL CAPTURE BRACKET, FRONT	295502	295502	295502	295502	295502	295502	295502	295502	295502	295502	295502	295502	295502
COIL CAPTURE BRACKET, REAR	295512	295512	295512	295512	295512	295512	295512	295512	295512	295512	295512	295512	295512
DOOR, UPPER	297241	297241	297242	297242	297242	297242	297243	297243	297243	297243	297244	297244	297244
DOOR, LOWER	297151	297151	297161	297161	297162	297162	297171	297171	297172	297172	297181	297181	297181
WRAPPER	920256	920256	920258	920258	920259	920259	920260	920260	920261	920261	920262	920262	920262
PLATE, COIL SPACING	280621	280621	2A1721	2A1721	298001	298001	298011	298011	297901	297901	2A1991	298021	298021
HORIZONTAL DRAIN PAN KIT	920265	920265	920265	920265	920266	920266	920266	920266	920267	920267	920267	920267	920267
FITTING, LIQ LINESET, C6	664378	664378	664378	664378	664378	664378	664378	664378	664378	664378	664378	664378	664378
FITTING, LIQ LINESET RETAIN	664387	664387	664387	664387	664387	664387	664387	664387	664387	664387	664387	664387	664387

C6BH-T HORIZONTAL CASED COILS

DESCRIPTION	T24C-A	T30C-A	T24C-B	T30C-B	T36C-B	T42C-B	T36C-C	T42C-C	T48C-C	T60C-C	T42C-D	T48C-D	T60C-D
REPLACEMENT COIL ASSEMBLY	920305	920307	920311	920313	920052	920061	920184	920070	920079	920097	920190	920088	920106
DRAIN PAN	669669	669669	669670	669670	669670	669670	669671	669671	669671	669671	669672	669672	669672
TXV ASSEMBLY	669690	669691	669690	669691	669692	669693	669692	669693	669694	669695	669693	669694	669695
DISTRIBUTOR ASSEMBLY	664384	664385	664384	664385	664385	664385	664385	664385	664386	664386	664385	664386	664386
TIE BAR, UPPER	297221	297221	297222	297222	297222	297222	297223	297223	297223	297223	297224	297224	297224
TIE BAR, LOWER	297231	297231	297232	297232	297232	297232	297233	297233	297233	297233	297234	297234	297234
COIL CAPTURE BRACKET, FRONT	295502	295502	295502	295502	295502	295502	295502	295502	295502	295502	295502	295502	295502
COIL CAPTURE BRACKET, REAR	295512	295512	295512	295512	295512	295512	295512	295512	295512	295512	295512	295512	295512
DOOR, UPPER	297241	297241	297242	297242	297242	297242	297243	297243	297243	297243	297244	297244	297244
DOOR, LOWER	297152	297152	297162	297162	297162	297162	297171	297171	297172	297172	297181	297181	297181
WRAPPER	920257	920257	920259	920259	920259	920259	920260	920260	920261	920261	920262	920262	920262
PLATE, COIL SPACING	280621	280621	2A1721	2A1721	298001	298001	298011	298011	297901	297901	2A1991	298021	298021
HORIZONTAL DRAIN PAN	669855	669855	669855	669855	669855	669855	669855	669855	669856	669856	669855	669856	669856
HORIZONTAL DRAIN PAN EXTENSION	-	-	-	-	299421	299421	299421	299421	299421	299421	299421	299421	299421
PLUG, THREADED	663663	663663	663663	663663	663663	663663	663663	663663	663663	663663	663663	663663	663663
ROD, COIL SUPPORT	669100	669100	669100	669100	669100	669100	669100	669100	669100	669100	669100	669100	669100
FITTING, LIQ LINESET, C6	664378	664378	664378	664378	664378	664378	664378	664378	664378	664378	664378	664378	664378
FITTING, LIQ LINESET RETAIN	664387	664387	664387	664387	664387	664387	664387	664387	664387	664387	664387	664387	664387

C6BA-X CASED COILS (A & B WIDTHS)

DESCRIPTION	X24C-A	X30C-A	X35C-A	X24C-B	X30C-B	X35C-B	X36C-B	X42C-B
REPLACEMENT COIL ASSEMBLY	920007	920025	920037	920016	920034	920046	920055	920064
DRAIN PAN	669669	669669	669669	669670	669670	669670	669670	669670
TXV ASSEMBLY	669564	669565	669566	669681	669682	669683	669683	669684
DISTRIBUTOR ASSEMBLY	664406	664407	664407	664406	664407	664407	664407	664407
TIE BAR, UPPER	297221	297221	297221	297222	297222	297222	297222	297222
TIE BAR, LOWER	297231	297231	297231	297232	297232	297232	297232	297232
COIL CAPTURE BRACKET, FRONT	295502	295502	295502	295502	295502	295502	295502	295502
COIL CAPTURE BRACKET, REAR	295512	295512	295512	295512	295512	295512	295512	295512
DOOR, UPPER	297241	297241	297241	297242	297242	297242	297242	297242
DOOR, LOWER	297151	297151	297151	297161	297161	297161	297162	297162
WRAPPER	920256	920256	920256	920258	920258	920258	920259	920259
PLATE, COIL SPACING	280621	280621	280621	2A1721	2A1721	2A1721	298001	298001
HORIZONTAL DRAIN PAN KIT	920265	920265	920265	920265	920265	920265	920266	920266
FITTING, LIQ LINESET, C6	664378	664378	664378	664378	664378	664378	664378	664378
FITTING, LIQ LINESET RETAIN	664387	664387	664387	664387	664387	664387	664387	664387

C6BA-X CASED COILS (C & D WIDTHS)

DESCRIPTION	X30C-C	X36C-C	X37C-C	X42C-C	X48C-C	X60C-C	X42C-D	X48C-D	X60C-D
REPLACEMENT COIL ASSEMBLY	920552	920187	920884	920073	920082	920100	920193	920091	920109
DRAIN PAN	669671	669671	669671	669671	669671	669671	669672	669672	669672
TXV ASSEMBLY	669682	669683	669683	669684	669852	669686	669684	669852	669686
DISTRIBUTOR ASSEMBLY	664407	664407	664408	664407	664408	664408	664385	664408	664408
TIE BAR, UPPER	297223	297223	297223	297223	297223	297223	297224	297224	297224
TIE BAR, LOWER	297233	297233	297233	297233	297233	297233	297234	297234	297234
COIL CAPTURE BRACKET, FRONT	295502	295502	295502	295502	295502	295502	295502	295502	295502
COIL CAPTURE BRACKET, REAR	295512	295512	295512	295512	295512	295512	295512	295512	295512
DOOR, UPPER	297243	297243	297243	297243	297243	297243	297244	297244	297244
DOOR, LOWER	297171	297171	297172	297171	297172	297172	297181	297181	297181
WRAPPER	920260	920260	920261	920260	920261	920261	920262	920262	920262
PLATE, COIL SPACING	2A7771	298011	297901	298011	297901	297901	2A1991	298021	298021
HORIZONTAL DRAIN PAN KIT	920266	920266	920267	920266	920267	920267	920267	920267	920267
FITTING, LIQ LINESET, C6	664378	664378	664378	664378	664378	664378	664378	664378	664378
FITTING, LIQ LINESET RETAIN	664387	664387	664387	664387	664387	664387	664387	664387	664387

C6BH-X HORIZONTAL CASED COILS (A & B WIDTHS)

DESCRIPTION	X24C-A	X30C-A	X35C-A	X24C-B	X26C-B	X30C-B	X35C-B	X36C-B	X42C-B
REPLACEMENT COIL ASSEMBLY	920306	920308	920309	920312	920344	920314	920315	920055	920064
DRAIN PAN	669669	669669	669669	669670	669670	669670	669670	669670	669670
TXV ASSEMBLY	669681	669682	669683	669681	669681	669682	669683	669683	669684
DISTRIBUTOR ASSEMBLY	664406	664385	664385	664406	664407	664385	664385	664385	664385
TIE BAR, UPPER	297221	297221	297221	297222	297222	297222	297222	297222	297222
TIE BAR, LOWER	297231	297231	297231	297232	297232	297232	297232	297232	297232
COIL CAPTURE BRACKET, FRONT	295502	295502	295502	295502	295502	295502	295502	295502	295502
COIL CAPTURE BRACKET, REAR	295512	295512	295512	295512	295512	295512	295512	295512	295512
DOOR, UPPER	297241	297241	297241	297242	297242	297242	297242	297242	297242
DOOR, LOWER	297152	297152	297152	297162	297162	297162	297162	297162	297162
WRAPPER	920257	920257	920257	920259	920259	920259	920259	920259	920259
PLATE, COIL SPACING	280621	280621	280621	2A1721	2A1431	2A1721	2A1721	298001	298001
HORIZONTAL DRAIN PAN	669855	669855	669855	669855	669855	669855	669855	669855	669855
HORIZONTAL DRAIN PAN EXTENSION	-	-	-	-	299421	-	-	299421	299421
PLUG, THREADED	663663	663663	663663	663663	663663	663663	663663	663663	663663
ROD, COIL SUPPORT	669100	669100	669100	669100	669100	669100	669100	669100	669100
FITTING, LIQ LINESET, C6	664378	664378	664378	664378	664378	664378	664378	664378	664378
FITTING, LIQ LINESET RETAIN	664387	664387	664387	664387	664387	664387	664387	664387	664387

C6BH-X HORIZONTAL CASED COILS (C & D WIDTHS)

DESCRIPTION	X30C-C	X36C-C	X37C-C	X42C-C	X48C-C	X60C-C	X42C-D	X48C-D	X60C-D
REPLACEMENT COIL ASSEMBLY	920552	920187	920884	920073	920082	920100	920193	920091	920109
DRAIN PAN	669671	669671	669671	669671	669671	669671	669672	669672	669672
TXV ASSEMBLY	669682	669683	669683	669684	669852	669686	669684	669852	669686
DISTRIBUTOR ASSEMBLY	664407	664385	664408	664385	664408	664408	664385	664408	664408
TIE BAR, UPPER	297223	297223	297223	297223	297223	297223	297224	297224	297224
TIE BAR, LOWER	297233	297233	297233	297233	297233	297233	297234	297234	297234
COIL CAPTURE BRACKET, FRONT	295502	295502	295502	295502	295502	295502	295502	295502	295502
COIL CAPTURE BRACKET, REAR	295512	295512	295512	295512	295512	295512	295512	295512	295512
DOOR, UPPER	297243	297243	297243	297243	297243	297243	297244	297244	297244
DOOR, LOWER	297171	297171	297172	297171	297172	297172	297181	297181	297181
WRAPPER	920260	920260	920261	920260	920261	920261	920262	920262	920262
PLATE, COIL SPACING	2A7771	298011	297901	298011	297901	297901	2A1991	298021	298021
HORIZONTAL DRAIN PAN	669855	669855	669856	669855	669856	669856	669855	669856	669856
HORIZONTAL DRAIN PAN EXTENSION	299421	299421	299421	299421	299421	299421	299421	299421	299421
PLUG, THREADED	663663	663663	663663	663663	663663	663663	663663	663663	663663
ROD, COIL SUPPORT	669100	669100	669100	669100	669100	669100	669100	669100	669100
FITTING, LIQ LINESET, C6	664378	664378	664378	664378	664378	664378	664378	664378	664378
FITTING, LIQ LINESET RETAIN	664387	664387	664387	664387	664387	664387	664387	664387	664387

