

## Side Wall Vent Kit

# Installation Instructions

## Residential Condensing Furnaces

### CONTENTS

- Vent terminal base
- Vent terminal cap
- Four (4) 1" long stainless screws
- Four (4) 2" long stainless screws
- Four (4) plastic screw anchors
- Instruction sheet

### **WARNING:**

**This vent kit is only to be used for venting Category IV (condensing) furnaces. Do not use this kit to vent Category I, II or III furnaces. Failure to follow this warning could result in fire, personal injury or death.**

### DO NOT APPLY TO NON-CONDENSING FURNACES

### THIS KIT IS TO BE USED FOR SIDE WALL VENTING ONLY. IT IS NOT TO BE USED FOR ROOFTOP VENTING.

These vent kits are designed for 2" or 3" vent systems. Kit No. 904347 may be used with 2" or 3" vent pipe, and Kit No. 904617 may only be used with 2" vent pipe only. The vent kit must terminate outside the structure and may be installed with the intake and exhaust pipes located side-by-side or with one pipe above the other. It is not required that the terminal be installed in any specific orientation. See Figure 1.

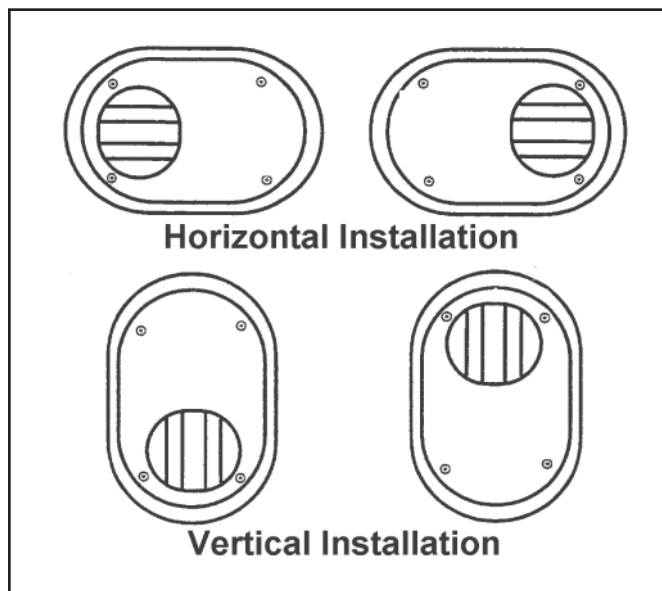


Figure 1. Terminal Installation

### Vent Pipe Material

Vent and combustion air pipe and fittings must be one of the following materials and must conform to the indicated ANSI/ASTM standards:

Material	Standard
Schedule 40 PVC	D1785
PVC-DWV	D2665
SDR-21* & SDR-26*	D2241
ABS-DWV	D2661
Schedule 40 ABS	F628
Foam/Cellular Core PVC	F891

\*In Canada, check the local codes to ensure that SDR is approved for use. SDR is not approved for all Canadian installations. All plastic pipe must be certified to ULC S636.

Cement and primer must conform to ATSM Standard D2564 for PVC and Standard D2235 for ABS. When joining PVC piping to ABS, use PVC solvent cement. (See procedure specified in ASTM Standard D3138.)

### **CAUTION:**

**This kit must be installed in strict compliance with these installation instructions and any applicable local, state and national codes.**

1. Determine the best location for the vent terminal. In addition to all applicable codes, consider the following when determining the location:
  - a. The vent terminal should be located so as to minimize the total length and number of elbows in the piping. Consult the furnace installation instructions for the pipe lengths and number of elbows allowed.
  - b. Terminal should be positioned where vent vapors will not damage plants, shrubs or air conditioning equipment.
  - c. Terminal should be located where it will not be affected by wind gusts, light snow, airborne leaves or other debris, and where it will not allow recirculation of flue gases.

- d. Terminal should be located where vent vapors are not objectionable.
- Use the vent terminal base as a template to locate the pipe holes through the wall and the four mounting holes.
  - If 3" pipe is used, cut two 3-7/8" diameter holes for the vent and air intake pipe. If 2" pipe is used, cut two 2-3/4" diameter holes.
  - Drill four 3/16" diameter holes for inserting the plastic screw anchors into the wall.
  - Insert the four plastic screw anchors into the screw holes and mount the vent terminal base to the wall using the four long screws provided (#8 pan head, 2" long, SMS Type A 18-8 stainless steel).
  - Assemble the vent terminal cap to the vent terminal base, using the four short screws provided (#8 pan head, 1" long, SMS Type A 18-8 stainless steel). See Figure 2.
  - Install the vent and air intake pipes into the back side of the openings in the vent terminal base.
  - Seal all gaps between the pipes and the wall.
  - Use RTV silicone sealant to seal the vent pipe to the vent cap. This will allow the terminal to be disassembled later if necessary for cleaning. DO NOT use PVC solvent cement to seal this connection.

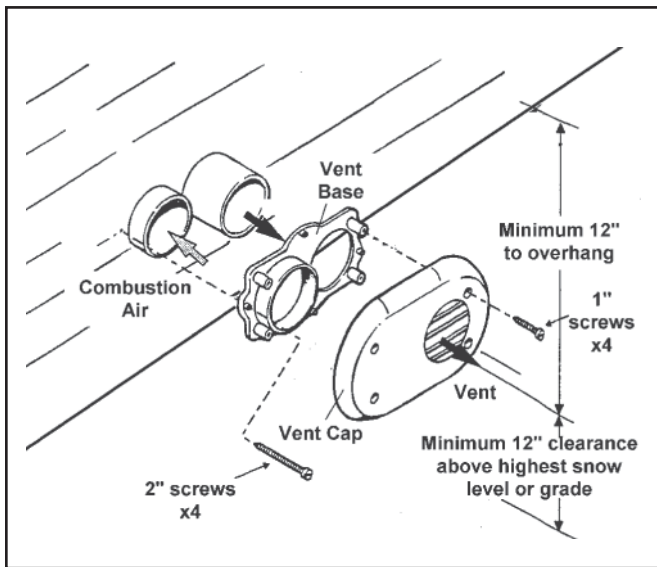


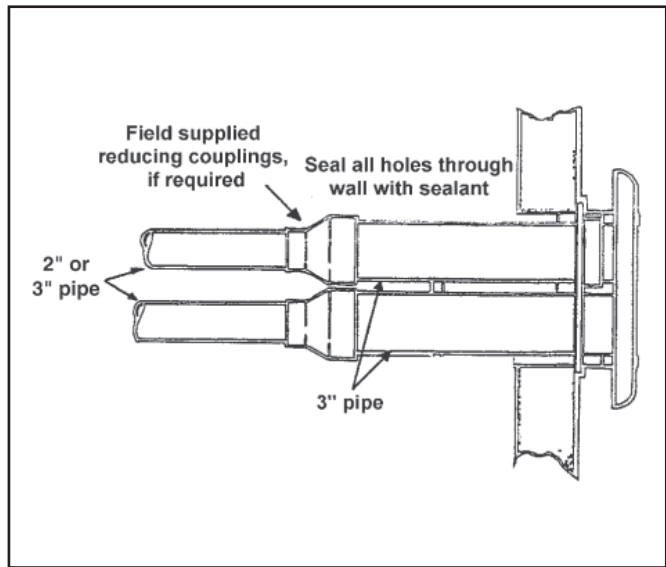
Figure 2.

- When using Kit No. 904347, and there is a need to reduce to 2" diameter pipe, field-supplied reducing couplings are required. See Figure 3.
- Operate the furnace for at least 15 minutes to make sure that it is working properly and that all piping joints are sealed to prevent the escape of combustion products into the home.

## ! WARNING:

**Do not operate the furnace without the vent terminal cap in place, as recirculation of flue products may occur. This can also cause water to collect inside the combustion air pipe where it can flow back to the furnace burner box. Failure to follow this warning can result in product damage or improper operation, personal injury or death.**

- For installations where two or more furnaces are to be vented using these kits, there must be a minimum of 18 inches clearance between the vent terminal caps. To prevent condensate freezing problems, do not install multiple vent kits above one another.



Pipe Reduction for Kit No. 904347.  
Figure 3.



7087410 (Replaces 708477A)

