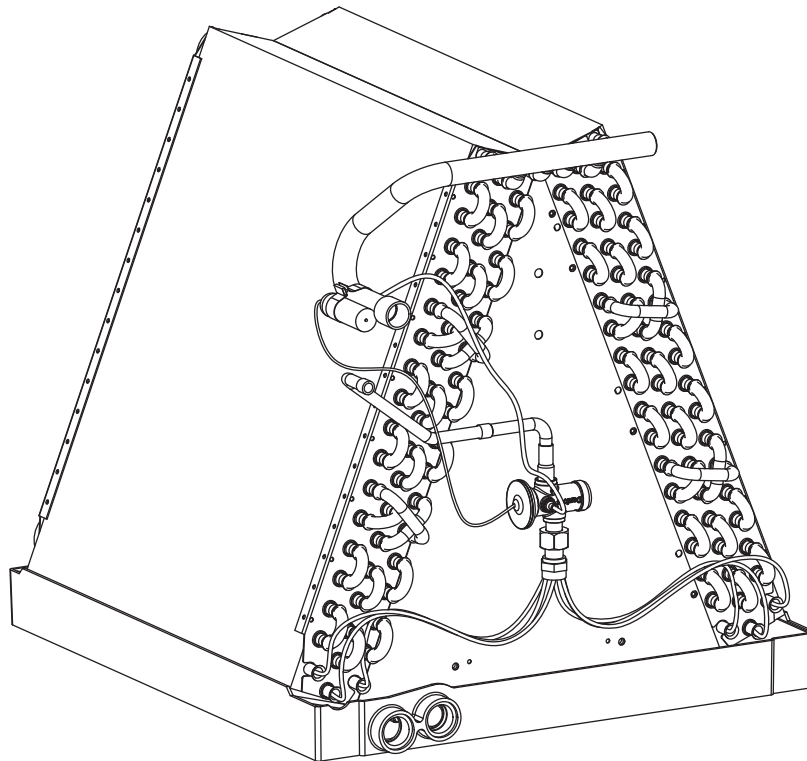


Installation Instructions

SPLIT SYSTEM C5 UNCASED INDOOR COILS



SAFETY INFORMATION

IMPORTANT: Please read all instructions before servicing this equipment. Pay attention to all safety warnings and any other special notes highlighted in the manual. Safety markings are used frequently throughout this manual to designate a degree or level of seriousness and should not be ignored. **WARNING** indicates a potentially hazardous situation that if not avoided, could result in personal injury or death. **CAUTION** indicates a potentially hazardous situation that if not avoided, may result in minor or moderate injury or property damage.

WARNING:

PROPOSITION 65 WARNING: This product contains chemicals known to the state of California to cause cancer, birth defects or other reproductive harm.

WARNING:

Read the Installation Instructions supplied with the furnace/air handler. Always observe all safety requirements outlined in this manual and on the furnace/air handler markings before installing the coil.

WARNING:

Improper installation, service, adjustment, or maintenance may cause explosion, fire, electrical shock or other hazardous conditions which may result in personal injury or property damage. Unless otherwise noted in these instructions, only factory authorized kits or accessories may be used with this product.

GENERAL INFORMATION	2
COIL INSTALLATION	2
Upflow Installations	2
Downflow Installations.....	2
Horizontal Installations	2
Refrigerant Line Connections.....	2
System Depressurization	2
Orifice Removal & Installation.....	3
Connecting the Linesets	3
Condensate Drain	4
Close-Off Plates.....	4
Air Filter.....	4
MAINTENANCE & SERVICE	4
COIL SPECS AND DIMENSIONS	5

GENERAL INFORMATION

These C5 Series uncased flex coils are designed for upflow, downflow, or horizontal applications and are equipped with braze type refrigerant connections for easy installation.

- Check the coils orifice size and confirm that it's suitable for application with the intended outdoor unit. Depending on application, additional installer supplied orifice or TXV may be required.
- Optional cooling/heating equipment must be properly sized and installed in accordance with the furnace manufacturer's specifications and approved recommendations.
- "Heating Only" furnace air circulators may have to be replaced with multi-speed Heating/Cooling blowers to upgrade the air delivery (CFM) when an add-on coil is installed. Refer to Table 1 (page 5) for coil specifications, recommended CFM, and allowances for pressure drop across the coil and filters.
- Verify that the air delivery of the furnace/air handler is adequate to handle the static pressure drop of the coil, filter, and duct work.
- If precise forming of refrigerant lines is required, a copper tubing bender is recommended. Avoid sharp bends and contact of the refrigerant lines with metal surfaces.
- Refrigerant lines should be wrapped with pressure sensitive neoprene or other suitable material where they pass against sharply edged sheet metal.
- Horizontal installations require a horizontal drain pan kit to be installed. See Table 2 (page 6) for part number.

COIL INSTALLATION

WARNING:

Shut off all electrical power to the furnace and outdoor condensing unit before performing any maintenance or service on the system. Electric furnaces may be connected to more than one supply circuit.

CAUTION:

The coil must be level to ensure proper condensate drainage. An unlevel installation may result in structural damage, premature equipment failure, or possible personal injury.

Upflow Installations

1. Disconnect all electrical power to the furnace.
2. Install the coil case on the furnace air discharge opening and level it as needed to ensure proper condensate drainage. If needed, make a plate to adapt the coil to the air discharge opening. See Figure 5 (page 5) for coil dimensions.

3. Make and install the plenum over the coil. Insulate as required.
4. Seal the enclosure as required to minimize air leakage.
5. Connect the refrigerant lines as outlined in the Refrigerant Line Connection section.

Downflow Installations

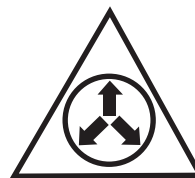
These coils may be installed in downflow applications. It is required that the furnace and coil cabinets are securely mounted together before setting in place. Fossil fuel applications require the coil to be placed in the supply air stream only.

Horizontal Installations

These coils may be installed in the horizontal position. It is required that the furnace and coil cabinets are securely mounted together and that a horizontal drain pan kit be installed. See Table 2 for proper kit number.

Refrigerant Line Connections

WARNING:



NITROGEN	
HEALTH	1
FLAMMABILITY	0
REACTIVITY	0
0 Minimal Hazard 1 Slight Hazard	

This coil is pressurized with Nitrogen. Avoid direct face exposure or contact with valve when gas is escaping. Always ensure adequate ventilation is present during the depressurization process. Any uncertainties should be addressed before proceeding.

System Depressurization

1. Remove the cap (Figure 1) from the end of the liquid line.
2. Verify pressurization by depressing the Schrader valve on the end of the liquid line. Listen for any escaping gas. If there is no pressure, test the coil for leakage.
 - If leakage is found, clearly mark the location of the leak and return the coil to the distributor for processing.
 - If no leaks are found, the coil may be installed.
3. Depress the valve to relieve all pressure from the coil.

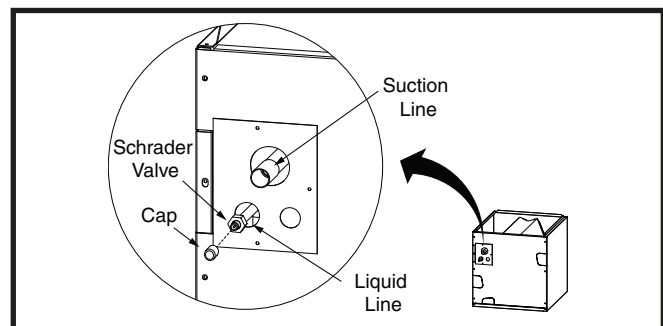


Figure 1. Suction and Liquid Line Locations

Orifice Removal and Installation

Notes: Before proceeding, perform steps 1 - 3 in the System Depressurization section and confirm that the restrictor orifice size meets the requirements outlined in the outdoor unit installation manual.

Restrictor kit (PN 917700) contains restrictors from size .051 to 0.103. Individual restrictors are available by part number - PN 664*** (where *** represents the size).

Example: 664103 is a restrictor 0.103 in diameter. Factory supplied orifice sizes are listed in Table 2 (page 6). If the orifice must be replaced, follow steps 1 - 5.

CAUTION:

To prevent damage to the unit or internal components, it is recommended that two wrenches be used when loosening or tightening nuts. Do not over tighten!

1. Using two wrenches, loosen the nut and distributor body as shown in Figure 2. Turn the assembly nut counter-clock-wise until the orifice body halves are separated.
2. Insert a light-gauge wire hook between the distributor body and the restrictor orifice while being careful not to scratch either part. Carefully remove the restrictor orifice from the distributor body. See Figure 3.
3. Check the actual size of the new orifice. The size is stamped on its side. Do not use pin gauges to measure the orifice diameter.
4. Insert the new orifice into the distributor body, rounded end down. See Figure 4

CAUTION:

To prevent damage to the unit or internal components, it is recommended that two wrenches be used when loosening or tightening nuts. Do not over tighten!

5. Realign the assembly nut on the distributor body and hand tighten both components. Mark a line on both bodies and then tighten an additional 1/4 turn using two wrenches. The movement of the two lines will show how much the nut is tightened. If a torque wrench is used, tighten to 10-12 ft. lbs. or 14-16 Nm.

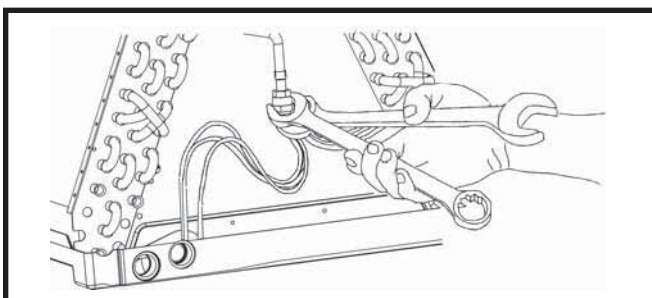


Figure 2. Loosening of Nut and Distributor Body

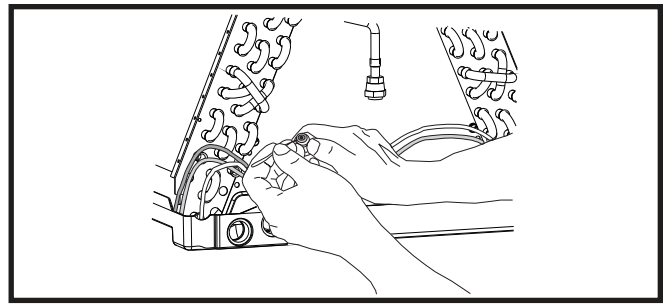


Figure 3. Removal of Orifice

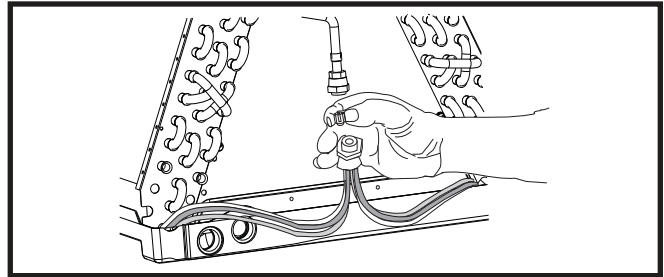


Figure 4. Restrictor Insertion into Distributor Body

Connecting the Linesets

1. Route and cut both lineset tubes to proper length in accordance with the outdoor unit specifications. Verify the ends are round, clean, and free of any burrs.
2. Connect the suction and liquid lineset tubes.

CAUTION:

It is recommended that a wet rag be wrapped around the suction line in front of the close off plate before applying heat. Failure to keep components cool during brazing may result in structural damage, premature equipment failure, or possible personal injury.

3. Braze the individual connections with dry nitrogen flowing through the joints. This will prevent internal oxidation and scaling from occurring.
4. Wrap the refrigerant lines with pressure sensitive neoprene or other suitable material especially where the lines enter the opening in the sheet metal.
5. Evacuate the system of moisture and non-condensables to prevent low efficiency operation or damage to the unit. The suggested range of evacuation is 250 - 500 microns.
6. Charge the system with refrigerant. **Please Refer to the outdoor unit installation manual for additional charging instructions.**
7. Check the system for leaks, including the lineset and the brazed joints. **NOTE:** Apply a soap and water solution on each joint or union with a small paintbrush. If bubbling is observed, the connection is not adequately sealed.
8. Properly dispose of all removed parts.

Condensate Drain

CAUTION:

The coil must be level to ensure proper condensate drainage. Improper condensate disposal may result in structural damage, premature equipment failure, or possible personal injury.

IMPORTANT NOTE:

All condensate pans have primary and secondary drain connections to meet FHA requirements. If the application is located in or above a living space where damage may result from condensate overflow, a separate 3/4 inch drain must be provided from the secondary drain connection and a secondary drain pan must be installed under the entire unit. Run secondary drain lines to a place where they are noticeable if used.

1. The coil condensate pan is designed with 3/4" NPSC drain connections. Use a PVC or similar material fitting to attach the drain line to the pan. **IMPORTANT NOTE: The fitting should be hand tightened only. Overtightening may crack the drain pan and cause condensate to leak.**
2. Connect the drain line and run to a suitable drain avoiding sharp bends and pinching of the line. Install a condensate trap and prime with water.
3. During system checkout, inspect the drain line and connections to verify proper condensate drainage.

Close-Off Plates

Install the necessary close-off plates around the refrigerant lines and drain line where required. Reinstall all inner and outer panels of the furnace/air handler that were previously removed when installing the indoor coil.

Air Filter

Air filters are not supplied as an integral part of this coil; however, a filter must be installed upstream of the coil and inspected frequently. When the filter becomes clogged with dust or lint, it should be replaced (disposable type) or cleaned (washable type). It is recommended that filters be inspected and replaced at least twice during the year. Generally it is best to replace or clean the filters at the start of each heating and cooling season.

MAINTENANCE & SERVICE

WARNING:

Shut off all electrical power to the furnace and outdoor condensing unit before performing any maintenance or service on the system.

CAUTION:

Do not operate the system without a suitable filter in the return air duct system. Always replace the filter with the same size and type.

To ensure optimum performance and to minimize possible equipment failure, the following maintenance tasks should be performed periodically on this equipment:

1. The air filter installed with the system should be checked and cleaned or replaced twice per year.
2. Check the coil, drain pan, and condensate drain line for cleanliness at the start of each heating and cooling season. Clean as needed.

COIL SPECIFICATIONS & DIMENSIONS

C5BA-	O24U-A	O25U-A	O30U-A	O24U-B	O25U-B	O36U-B	O48U-B	O48U-C	O60U-C
	919131D	919132D	919133D	919134D	919135D	919137D	919139D	919140D	919142D
Nominal Capacity, Min (BTUH)	24,000	24,000	30,000	24,000	24,000	30,000	36,000	48,000	48,000
Nominal Capacity, Max (BTUH)	24,000	24,000	30,000	24,000	24,000	36,000	48,000	48,000	60,000
Nominal Airflow, Min (CFM)	800	800	1,000	800	800	1,000	1,200	1,600	1,600
Nominal Airflow, Max (CFM)	800	800	1,000	800	800	1,200	1,600	1,600	2,000
W - Width (in.)	12 3/4	12 3/4	12 3/4	18 1/8	18 1/8	18 1/8	18 1/8	21	21
H - Height (in.)	19	19	19	19	19	19	25	25	28 3/4
Connection - Liquid Line (in.)	3/8	3/8	3/8	3/8	3/8	3/8	3/8	3/8	3/8
Connection - Suction Line (in.)	3/4	3/4	3/4	3/4	3/4	3/4	7/8	7/8	7/8

NOTES:

- (1) Refer to sales specification sheets for Listed/Certified combinations of equipment and required accessories.
- (2) Refer to the current AHRI directory for certified ratings of split systems.
- (3) Based on a nominal 0.3" W.C. pressure drop across the coil.
- (4) TXV valve may be required to achieve AHRI rating.

Table 1. Coil Specifications

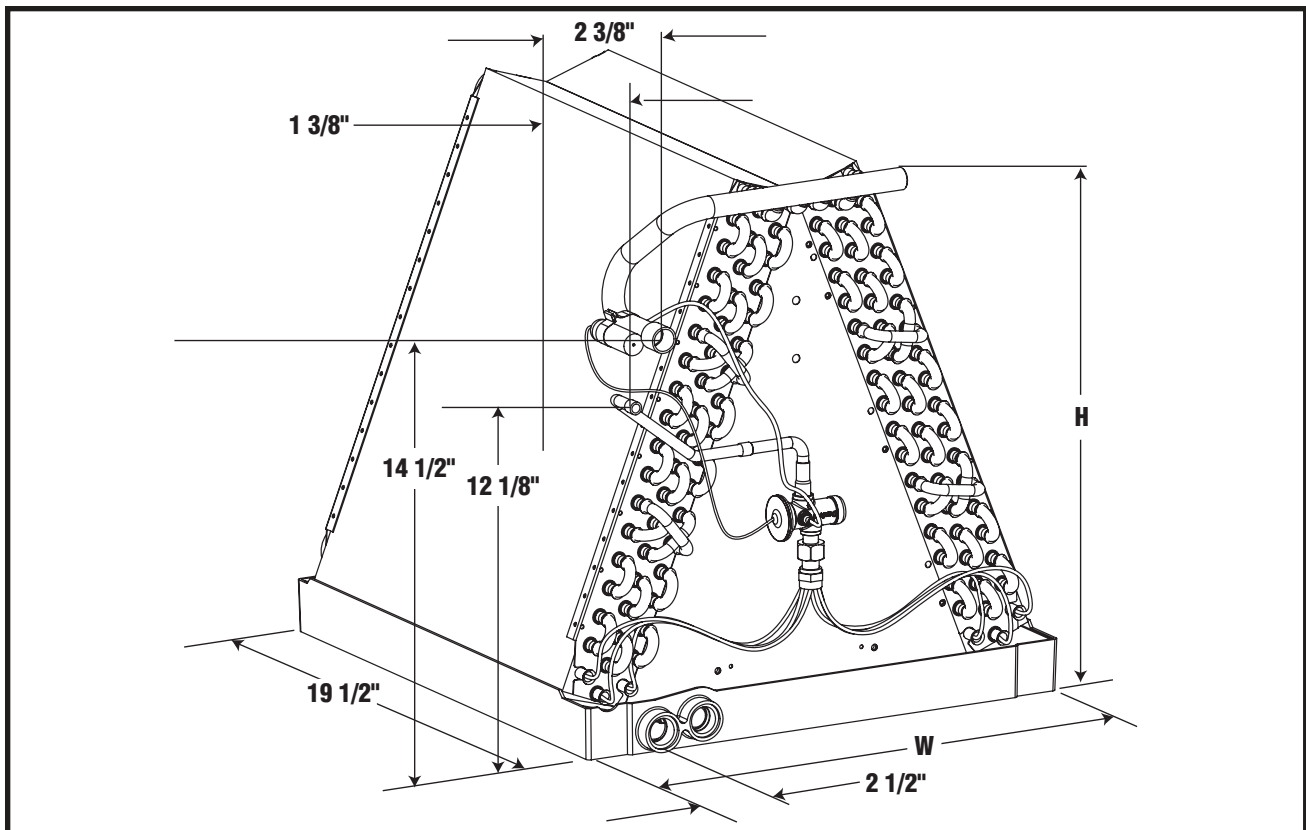


Figure 5. Coil Dimensions

CROSS REFERENCE: FACTORY INSTALLED ORIFICE VS. FLEXIBLE COIL PLUS ORIFICE										
Factory Installed Orifice	Uncased SKU	Cased SKU	Horiz. SKU	Flex Coil		Horiz. Kit	Coils Made Before Aug. 1, 2009		Coils Made After Aug. 1, 2009	
				Model	SKU		Installed Orifice	Supplied Orifice	Installed Orifice	Supplied Orifice
C5B(A,H)-O24(U,C)-A	919131D	919143D	919155D	C5BA-O24U-A	919131D	919318	0.050	-	0.055	0.050
C5B(A,H)-O25(U,C)-A	919132D	919144D	919156D	C5BA-O25U-A	919132D	919318	0.060	0.053	0.061	0.053
C5B(A,H)-O30(U,C)-A	919133D	919145D	919157D	C5BA-O30U-A	919133D	919318	0.065	-	0.065	0.061
C5B(A,H)-O24(U,C)-B	919134D	919146D	919158D	C5BA-O24U-B	919134D	919318	0.050	-	0.055	0.050
C5B(A,H)-O25(U,C)-B	919135D	919147D	919159D	C5BA-O25U-B	919135D	919318	0.060	0.053	0.061	-
C5B(A,H)-O30(U,C)-B	919136D	919148D	919160D	C5BA-O36U-B	919137D	919318	0.065	-	0.073	0.065
C5B(A,H)-O36(U,C)-B	919137D	919149D	919161D							
C5B(A,H)-O37(U,C)-B	919425D	919426D	919427D							
C5B(A,H)-O41(U,C)-B	919496D	919497D	919498D							
C5B(A,H)-O42(U,C)-B	919138D	919150D	919162D	C5BA-O48U-B	919139D	919319	0.075	-	0.089	0.078
C5B(A,H)-O43(U,C)-B	919502D	919503D	919504D							
C5B(A,H)-O48(U,C)-B	919139D	919151D	919163D							
C5B(A,H)-O48(U,C)-C	919140D	919152D	919164D	C5BA-O48U-C	919140D	919319	0.089	-	0.080	0.090
C5B(A,H)-O49(U,C)-C	919141D	919153D	919165D							
C5B(A,H)-O60(U,C)-C	919142D	919154D	919166D	C5BA-O60U-C	919142D	919320	0.089	0.099	0.089	0.099

NOTES:

- (1) Restrictor kit (P/N 917700) contains restrictors from size 0.051 to 0.103.
- (2) Individual restrictors are available by part number - PN664*** (where *** represents the size).
Example: 664103 is a restrictor 0.103 in diameter.
- (3) Installed orifices are sized for most common R-410a 13 SEER matches. Always consult outdoor unit documentation for verification of orifice size. Depending on application, additional installer-supplied orifice or TXV may be required.

Table 2. Orifice Sizes

CROSS REFERENCE: FACTORY INSTALLED TXV VS. FLEXIBLE COIL PLUS TXV KIT							
Factory Installed TXV Coil	Uncased SKU	Cased SKU	Horiz. SKU	Flex Coil		Horiz. Kit	TXV Kit PN
				Model	SKU		
C5B(A,H)-T24(U,C)-A	919167D	919179D	919191D	C5BA-O24U-A	919131D	919318	920662
C5B(A,H)-T25(U,C)-A	919168D	919180D	919192D	C5BA-O25U-A	919132D	919318	920662
C5B(A,H)-T30(U,C)-A	919169D	919181D	919193D	C5BA-O30U-A	919133D	919318	920663
C5B(A,H)-T24(U,C)-B	919170D	919182D	919194D	C5BA-O24U-B	919134D	919318	920662
C5B(A,H)-T25(U,C)-B	919171D	919183D	919195D	C5BA-O25U-B	919135D	919318	920662
C5B(A,H)-T30(U,C)-B	919172D	919184D	919196D	C5BA-O36U-B	919137D	919318	920663
C5B(A,H)-T36(U,C)-B	919173D	919185D	919197D	C5BA-O36U-B	919137D	919318	920664
C5B(A,H)-T37(U,C)-B	919428D	919429D	919430D	C5BA-O48U-B	919139D	919319	920664
C5B(A,H)-T41(U,C)-B	919499D	919500D	919501D	C5BA-O48U-B	919139D	919319	920665
C5B(A,H)-T42(U,C)-B	919174D	919186D	919198D	C5BA-O48U-B	919139D	919319	920665
C5B(A,H)-T43(U,C)-B	919505D	919506D	919507D	C5BA-O48U-B	919139D	919319	920665
C5B(A,H)-T48(U,C)-B	919175D	919187D	919199D	C5BA-O48U-B	919139D	919319	920666
C5B(A,H)-T48(U,C)-C	919176D	919188D	919200D	C5BA-O48U-C	919140D	919319	920666
C5B(A,H)-T49(U,C)-C	919177D	919189D	919201D	C5BA-O60U-C	919142D	919320	920666
C5B(A,H)-T60(U,C)-C	919178D	919190D	919202D	C5BA-O60U-C	919142D	919320	920667

Table 3. C5 Coil with R22 Refrigerant

CROSS REFERENCE: FACTORY INSTALLED TXV VS. FLEXIBLE COIL PLUS TXV KIT							
Factory Installed TXV Coil	Uncased SKU	Cased SKU	Horiz. SKU	Flex Coil		Horiz. Kit	TXV Kit PN
				Model	SKU		
C5B(A,H)-X24(U,C)-A	919509D	919612D	919203D	C5BA-O24U-A	919131D	919318	920668
C5B(A,H)-X25(U,C)-A	919626D	919613D	919625D	C5BA-O25U-A	919132D	919318	920668
C5B(A,H)-X30(U,C)-A	919510D	919614D	919204D	C5BA-O30U-A	919133D	919318	920669
C5B(A,H)-X36(U,C)-A	919679D	919678D	919680D	C5BA-O30U-A	919133D	919318	920670
C5B(A,H)-X24(U,C)-B	919511D	919615D	919205D	C5BA-O24U-B	919134D	919318	920668
C5B(A,H)-X25(U,C)-B	919628D	919616D	919627D	C5BA-O25U-B	919135D	919318	920668
C5B(A,H)-X30(U,C)-B	919512D	919617D	919206D	C5BA-O36U-B	919137D	919318	920669
C5B(A,H)-X36(U,C)-B	919513D	919618D	919207D	C5BA-O36U-B	919137D	919318	920670
C5B(A,H)-X37(U,C)-B	919630D	919619D	919629D	C5BA-O48U-B	919139D	919319	920670
C5B(A,H)-X42(U,C)-B	919514D	919620D	919208D	C5BA-O48U-B	919139D	919319	920671
C5B(A,H)-X48(U,C)-B	919515D	919621D	919209D	C5BA-O48U-B	919139D	919319	920672
C5B(A,H)-X48(U,C)-C	919516D	919622D	919210D	C5BA-O48U-C	919140D	919319	920672
C5B(A,H)-X49(U,C)-C	919517D	919623D	919211D	C5BA-O60U-C	919142D	919320	920672
C5B(A,H)-X60(U,C)-C	919518D	919624D	919212D	C5BA-O60U-C	919142D	919320	920673

Table 4. C5 Coil with R410a Refrigerant



Intertek

The installer performing this work assumes all responsibility for this installation. These instructions are primarily intended to assist qualified individuals experienced in the proper installation of these components. Some local codes may require licensed installation/service personnel for this type of equipment. Safety should always be the deciding factor when installing this product and using common sense plays an important role as well. Improper installation of the components or failure to follow safety warnings could result in serious injury, death, or property damage. After completing the installation, return these instructions to the Homeowner's Package for owner-user's future reference.

¢708705. ♂

NORDYNE
COMPLETE COMFORT. GENUINE VALUE.

O'Fallon, MO

708705A

708705A(Replaces 7087050)
Specifications and illustrations subject to change
without notice or incurring obligations.
Printed in U.S.A. (07/09)