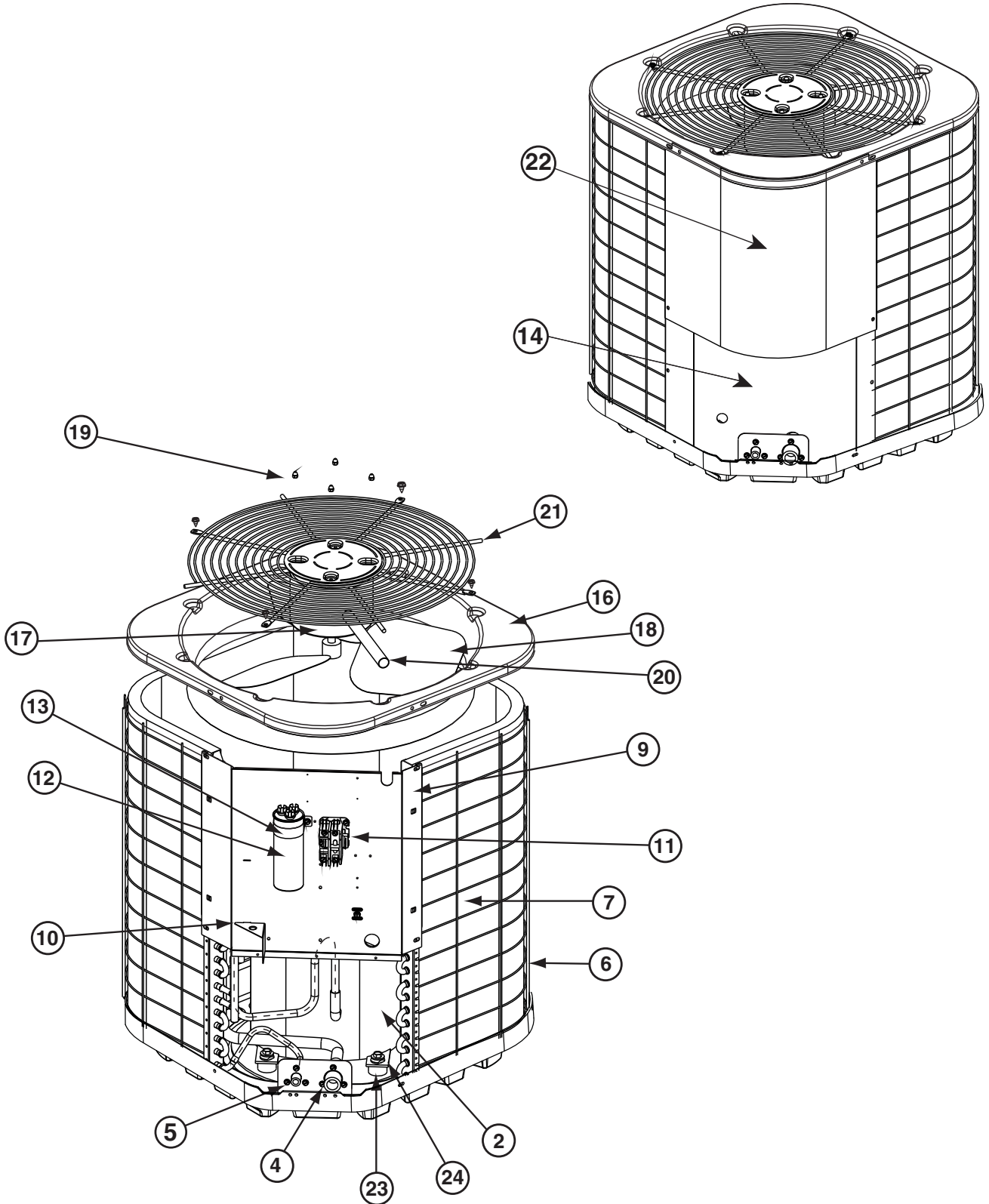


**REPLACEMENT PARTS LIST**

**S5BD-KA/KB and S5QD-KA/KB Series**

Manufactured Housing  
13 SEER Split System Air Conditioner



### S5BD-KA/KB Series

|    | DESCRIPTION                               | 018KA   | 024KA/KB | 030KA/KB | 036KA/KB | 042KA   | 048KA   | 060KA   |
|----|---|---------|----------|----------|----------|---------|---------|---------|
| 2  | Compressor                                | 919099  | 919100   | 919101   | 919102   | 919103  | 919104  | 919105  |
| 3  | Molded Compressor Plug (not shown)        | 634658  | 634658   | 634658   | 634659   | 634659  | 634660  | 634660  |
| 4  | Refrigerant Valve (Large)                 | 663864  | 663864   | 663864   | 663864   | 663865  | 663865  | 663865  |
| 5  | Refrigerant Valve (Small)                 | 663862  | 663862   | 663862   | 663862   | 663862  | 663862  | 663862  |
| 6  | Coil Guard (Formed)                       | D09291R | D09292R  | D09296R  | D09296R  | D09295R | D09295R | D09401R |
| 7  | Outdoor Coil, KA (Formed)                 | 276361R | 498206R  | 275284R  | 275284R  | 275283R | 275283R | 275288R |
|    | Outdoor Coil, KB (Formed)                 |         | 2A0001R  | 2A0003R  | 2A0003R  |         |         |         |
| 8  | Repl. Hail Guard Kit (not shown)          | 917206  | 917206   | 917206   | 917206   | 917206  | 917206  | 917206  |
| 9  | Control Box                               | 277361  | 277361   | 277361   | 277361   | 277361  | 277361  | 277361  |
| 10 | Low Voltage Divider                       | 258790  | 258790   | 258790   | 258790   | 258790  | 258790  | 258790  |
| 11 | Contactora                                | 621661  | 621661   | 621661   | 621661   | 621661  | 621662  | 621665  |
| 12 | Capacitor                                 | 621969  | 620762   | 621635   | 621697   | 621697  | 621699  | 621717  |
| 13 | Capacitor Strap                           | 258781  | 258781   | 258781   | 258780   | 258780  | 258780  | 258780  |
| 14 | Access Panel, KA                          | 274011  | 274012   | 274014   | 274014   | 274013  | 274013  | 274016  |
|    | Access Panel, KB                          |         | 274011   | 274012   | 274012   |         |         |         |
| 15 | Snap Bushing (not shown)                  | 631670  | 631670   | 631670   | 631670   | 631670  | 631670  | 631670  |
| 16 | Top Pan                                   | 496161  | 496161   | 496161   | 496161   | 496162  | 496162  | 496162  |
| 17 | Condenser Motor                           | 621952  | 621919   | 621919   | 621917   | 621990  | 621990  | 621990  |
| 18 | Fan Blade                                 | 667315  | 667261   | 667261   | 667318   | 667383  | 667383  | 667383  |
| 19 | Nut, Flange                               | 606260  | 606260   | 606260   | 606260   | 606260  | 606260  | 606260  |
| 20 | Motor Wire Conduit                        | 664292  | 664292   | 664292   | 664292   | 664290  | 664290  | 664290  |
| 21 | Fan Grille                                | 669201  | 669201   | 669201   | 669201   | 669202  | 669202  | 669202  |
| 22 | Control Box Cover                         | 276921  | 276921   | 276921   | 276921   | 276921  | 276921  | 276921  |
| 23 | Grommet, Compressor                       | 668530  | 668530   | 668530   | 668530   | 668530  | 668530  | 668530  |
| 24 | Bolt, Compressor, (metal pan)             | 600400  | 600400   | 600400   | 600400   | 600400  | 600400  | 600400  |
|    | Bolt, Compressor, (composite pan)         | 600426  | 600426   | 600426   | 600426   | 600426  | 600426  | 600426  |
| 25 | Tee, Copper (not shown)                   | 662226  | 662226   | 662226   | 662226   | 662226  | 662226  | 662226  |
| 26 | Set of Wires (not shown)                  | 285465  | 285465   | 285465   | 285465   | 285465  | 285465  | 285465  |
| 27 | Liquid Line Solenoid Assembly (not shown) | 917357  | 917357   | 917357   | 917357   | 917357  | 917357  | 917357  |

### S5QD-KA/KB Series

| ITEM | DESCRIPTION                               | 018KA   | 024KA/KB | 030KA/KB | 036KA/KB | 042KA   | 048KA   | 060KA   |
|------|---|---------|----------|----------|----------|---------|---------|---------|
| 2    | Compressor                                | 919099  | 919100   | 919101   | 919102   | 919103  | 919104  | 919105  |
| 3    | Molded Compressor Plug (not shown)        | 634658  | 634658   | 634658   | 634659   | 634659  | 634660  | 634660  |
| 4    | Coupling, Bulkhead Large                  | 663782  | 663782   | 663782   | 663782   | 663783  | 663783  | 663783  |
|      | Mounting Flange, Large                    | 663011  | 663011   | 663011   | 663011   | 663011  | 663011  | 663011  |
| 5    | Coupling, Bulkhead Small                  | 663781  | 663781   | 663781   | 663781   | 663781  | 663781  | 663781  |
|      | Mounting Flange, Small                    | 663012  | 663012   | 663012   | 663012   | 663012  | 663012  | 663012  |
| 6    | Coil Guard (Formed)                       | D09291R | D09292R  | D09296R  | D09296R  | D09295R | D09295R | D09401R |
| 7    | Outdoor Coil, KA (Formed)                 | 276361R | 498206R  | 275274R  | 275274R  | 274521R | 274521R | 275288R |
|      | Outdoor Coil, KB (Formed)                 |         | 2A0001R  | 2A0003R  | 2A0003R  |         |         |         |
| 8    | Repl. Hail Guard Kit (not shown)          | 917206  | 917206   | 917206   | 917206   | 917206  | 917206  | 917206  |
| 9    | Control Box                               | 277361  | 277361   | 277361   | 277361   | 277361  | 277361  | 277361  |
| 10   | Low Voltage Divider                       | 258790  | 258790   | 258790   | 258790   | 258790  | 258790  | 258790  |
| 11   | Contactora                                | 621661  | 621661   | 621661   | 621661   | 621661  | 621662  | 621665  |
| 12   | Capacitor                                 | 622046  | 621635   | 621636   | 621698   | 621698  | 621698  | 621717  |
| 13   | Capacitor Strap                           | 258781  | 258781   | 258781   | 258780   | 258780  | 258780  | 258780  |
| 14   | Access Panel, KA                          | 274011  | 274012   | 274014   | 274014   | 274013  | 274013  | 274016  |
|      | Access Panel, KB                          |         | 274011   | 274012   | 274012   |         |         |         |
| 15   | Snap Bushing (not shown)                  | 631670  | 631670   | 631670   | 631670   | 631670  | 631670  | 631670  |
| 16   | Top Pan                                   | 496161  | 496161   | 496161   | 496161   | 496162  | 496162  | 496162  |
| 17   | Condenser Motor                           | 621952  | 621919   | 621919   | 621917   | 621990  | 621990  | 621990  |
| 18   | Fan Blade                                 | 667315  | 667261   | 667261   | 667318   | 667383  | 667383  | 667383  |
| 19   | Nut, Flange                               | 606260  | 606260   | 606260   | 606260   | 606260  | 606260  | 606260  |
| 20   | Motor Wire Conduit                        | 664292  | 664292   | 664292   | 664292   | 664290  | 664290  | 664290  |
| 21   | Fan Grille                                | 669201  | 669201   | 669201   | 669201   | 669202  | 669202  | 669202  |
| 22   | Control Box Cover                         | 276921  | 276921   | 276921   | 276921   | 276921  | 276921  | 276921  |
| 23   | Grommet, Compressor                       | 668530  | 668530   | 668530   | 668530   | 668530  | 668530  | 668530  |
| 24   | Bolt, Compressor, (metal pan)             | 600400  | 600400   | 600400   | 600400   | 600400  | 600400  | 600400  |
|      | Bolt, Compressor, (composite pan)         | 600426  | 600426   | 600426   | 600426   | 600426  | 600426  | 600426  |
| 25   | Tee, Copper (not shown)                   | 662226  | 662226   | 662226   | 662226   | 662226  | 662226  | 662226  |
| 26   | Set of Wires (not shown)                  | 285465  | 285465   | 285465   | 285465   | 285465  | 285465  | 285465  |
| 27   | Liquid Line Solenoid Assembly (not shown) | 917357  | 917357   | 917357   | 917357   | 917357  | 917357  | 917357  |

Specify Model No. and Serial No. along with the exact part number(s) when ordering parts from the nearest authorized Dealer or Service Center.



708567A

708567A (Replaces 7085670)  
 Specifications and illustrations subject to change  
 without notice and without incurring obligations.  
 Printed in U.S.A. (09/08)