

Light Commercial

Installation Instructions

Horizontal Return Air Panel Kit 12.5 and 15 Ton Light Commercial #919251

This return air panel assembly is specifically designed for horizontal duct applications and can be used in conjunction with approved horizontal roof curbs, SKU #555631- or 555632-, on GR4GM-150 and GR4GM-180 Series units.

1. **DISCONNECT ALL ELECTRICAL POWER TO THE UNIT.**
2. Remove all screws securing lower factory close off panel. Discard original panel and set screws aside for later use. See Figure 1.
3. Install new horizontal return air panel. Ensure insulation is secured to panel.
4. Connect appropriately sized duct around the full perimeter of the panel flanges.
5. Secure and seal duct to panel and flanges with an approved method for creating water and airtight seals. See Figure 2.
6. Restore all Electrical power back to unit.

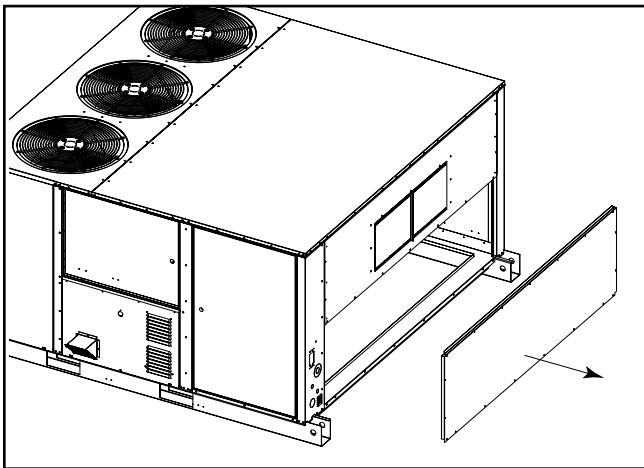


Figure 1.

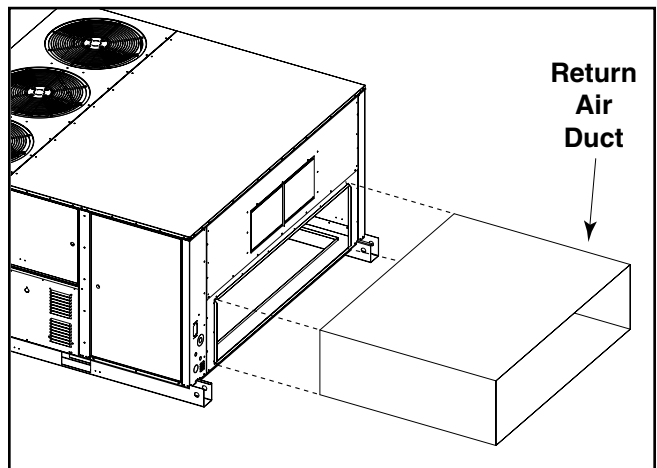


Figure 2.

WARNING!

This kit is to be installed by a qualified service technician in accordance with these instructions and all codes having jurisdiction. Failure to follow these instructions could result in serious injury, property damage or death.

These instructions are primarily intended to assist qualified individuals experienced in the proper installation of this appliance. Some local codes require licensed installation/service personnel for this type of equipment.

**INSTALLER: PLEASE LEAVE THESE INSTALLATION
INSTRUCTIONS WITH THE OWNER**

