

SIDE WALL VENT KIT

INSTALLATION INSTRUCTIONS

For Residential Condensing Furnaces

CONTENTS OF KIT:

- Vent terminal base Qty: 1
- Vent terminal cap -Qty: 1
- 1" long stainless screwsQty: 4
- 2" long stainless screwsQty: 4
- plastic screw anchorsQty: 4
- Instruction sheetQty: 1

VENT PIPE MATERIAL

Vent and combustion air pipe and fittings must be one of the following materials in the list and must conform to the indicated ANSI/ASTM standards.

Cement and primer must conform to ATSM Standard D2564 for PVC and Standard D2235 for ABS. When joining PVC piping to ABS, use PVC solvent cement. (See procedure specified in ASTM Standard D3138.)

<u>Materials</u>	<u>Standards</u>
Schedule 40PVC	D1785
PVC-DWV	D2665
SDR-21* & SDR-26*	D2241
ABS-DWV	D2661
Schedule 40 ABS	F628
Foam/Cellular Core PVC	F891

* In Canada, check the local codes to ensure that SDR is approved for use. SDR is not approved for all Canadian installations.

SAFETY INFORMATION

Please Pay attention to all safety warnings and any other special notes highlighted in this repair kit. Safety markings are used frequently throughout this kit to designate a degree or level of seriousness and should not be ignored. **WARNING** indicates a potentially hazardous situation that if not avoided, could result in personal injury or death.

WARNING:

THIS KIT MUST BE INSTALLED IN STRICT COMPLIANCE WITH THESE INSTRUCTIONS AND ANY APPLICABLE LOCAL, STATE AND NATIONAL CODES.

WARNING:

This vent kit is only to be used for venting Category IV (condensing) furnaces. Do not use this kit to vent Category I, II or III furnaces. Failure to follow this warning could result in fire, personal injury or death.

WARNING:

Upon completion of the furnace installation, carefully inspect the entire flue system both inside and outside the furnace to assure it is properly sealed. Leaks in the flue system can result in serious personal injury or death due to exposure of flue products, including carbon monoxide.

DO NOT APPLY TO NON-CONDENSING FURNACES

THIS KIT IS TO BE USED FOR SIDE WALL VENTING ONLY. DO NOT USE IF FOR ROOFTOP VENTING.

This vent kit may be used with 2" or 3" vent systems. The vent kit must terminate outside the structure and may be installed with the intake and exhaust pipes located side-by-side or with one pipe above the other. It is not required that the terminal be installed in any specific orientation. See Figure 1.

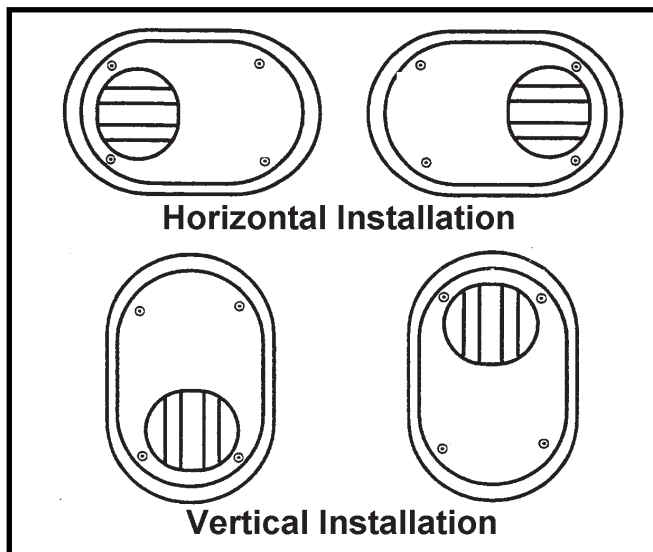


Figure 1. Vent Kit Layouts

SIDE WALL VENT KIT INSTALLATION

- Determine the best location for the vent terminal. In addition to all applicable codes, consider the following when determining the location:
 - The vent terminal should be located so that it minimizes the total length and number of elbows in the piping. Consult the furnace installation instructions for the pipe lengths and number of elbows allowed.
 - Terminal should be positioned where vent vapors will not damage plants, shrubs or air conditioning equipment.
 - Terminal should be located where it will not be affected by wind gusts, light snow, airborne leaves or other debris, and where it will not allow recirculation of flue gases.
 - Terminal should be located where vent vapors are not objectionable.
- Use the vent terminal base as a template to locate the pipe holes through the wall and the four mounting holes.
- Cut two 3-7/8" diameter holes for the vent and air intake pipes.
- Drill four 3/16" diameter holes for inserting the plastic screw anchors into the wall.
- Insert the four plastic screw anchors into the screw holes and mount the vent terminal base to the wall using the four long screws provided (#8 pan head, 2" long, SMS Type A 18-8 stainless steel).
- Assemble the vent terminal cap to the vent terminal base, using the four short screws provided (#8 pan head, 1" long, SMS Type A 18-8 stainless steel). See Figure 2.

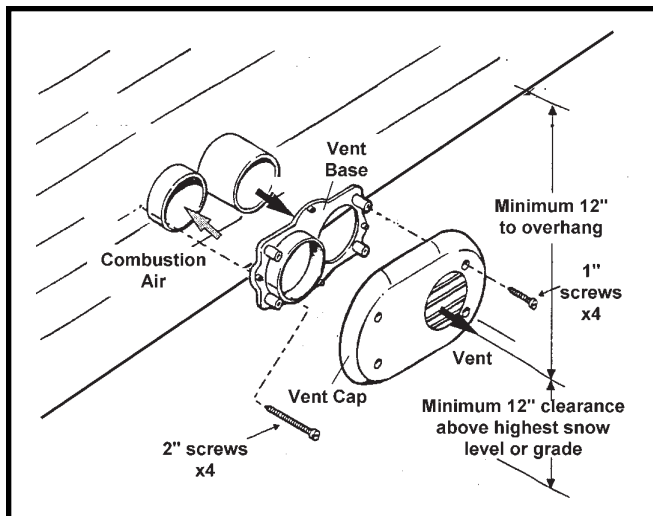


Figure 2. Vent Kit installation

- Install 3" diameter vent and air intake pipes into the back side of the openings in the vent terminal base.
 - Seal all gaps between the pipes and the wall.
 - Using RTV silicone sealant, seal the vent pipe to the vent cap. **NOTE:** This will allow the terminal to be disassembled later if necessary for cleaning. **DO NOT** use PVC solvent cement to seal this connection.
- IMPORTANT:** If reducing to 2" diameter pipe, field-supplied reducing couplings are required. See Figure 3.
- Operate the furnace for at least 15 minutes. Make sure the furnace is working properly and that all piping joints are sealed to prevent the escape of combustion products into the home.

⚠ WARNING:

Do Not operate the furnace without the vent terminal cap in place. This can cause recirculation of flue products or water to collect inside the combustion air pipe where it can flow back to the furnace burner box. Failure to follow this warning can result in product damage, improper operation, personal injury, or death.

IMPORTANT: For installations where two or more furnaces are to be vented using these kits, there must be a minimum of 18 inches clearance between the vent terminal caps. To prevent condensation freezing problems, do not install multiple vent kits above one another.

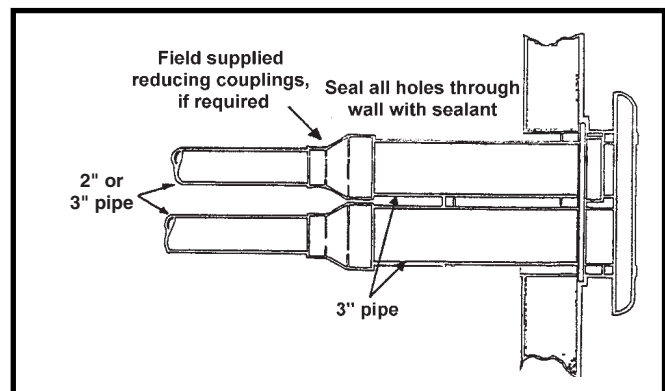


Figure 3. Vent Kit installation

