

## Electric Furnace Coil Cabinet with Raised Coil Shelf

# Installation Instructions

For Use with E2/E3 Series Electric Furnaces  
Cabinet P/N 904205

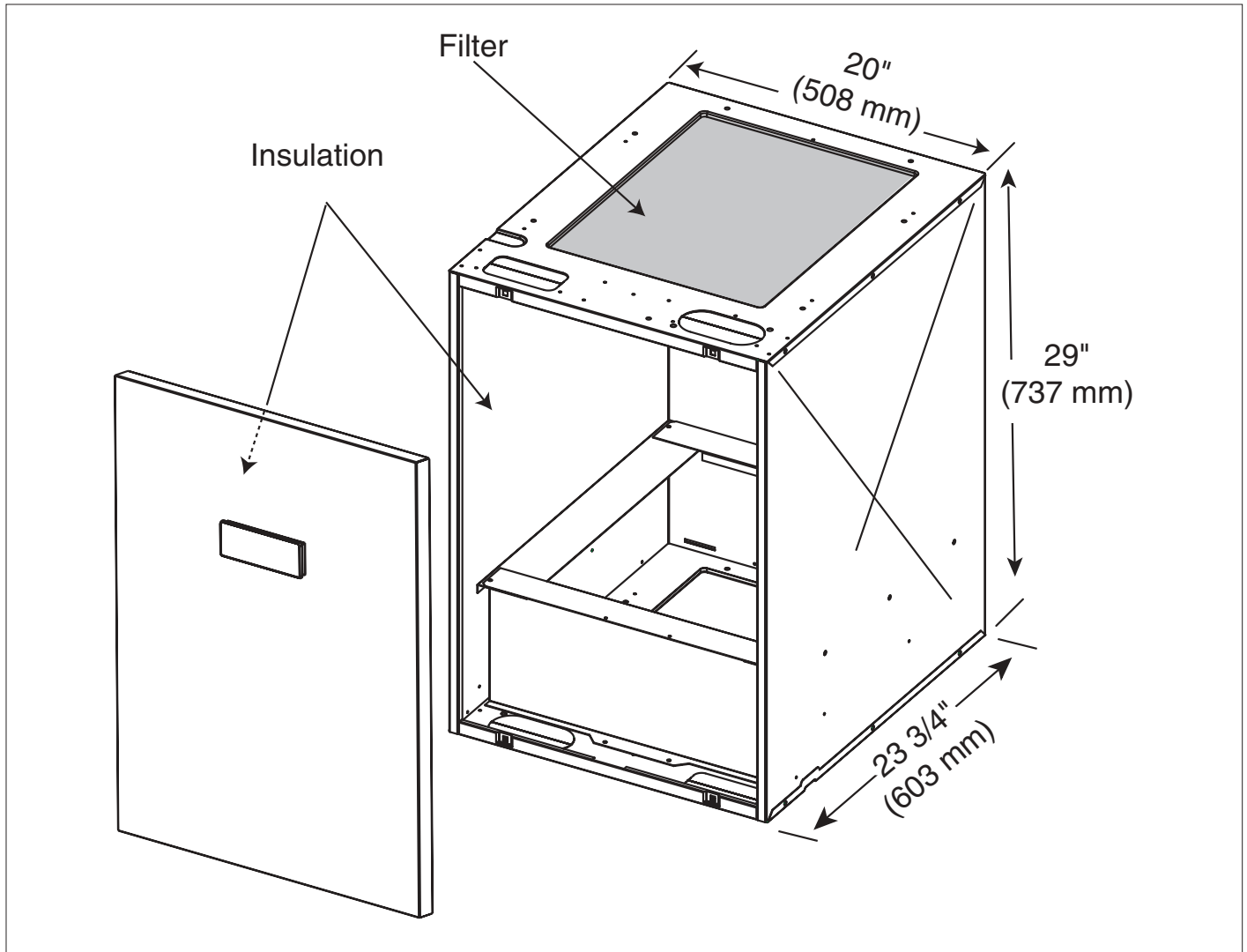


Figure 1. Coil Cabinet

### INTRODUCTION

This coil cabinet is designed for downflow installations.

The cabinet is factory equipped with insulation, and to assure a sealed fit with the electric furnace, the outside bottom is factory equipped with gasketing.

Review the furnace installation instructions for specific details on return air, filtering systems, and installation requirements before proceeding.

### TYPICAL INSTALLATION OF DOWNFLOW SYSTEMS NOTES:

- Systems may be installed with non-ducted or ducted return air.
- Remove refrigerant line knockouts only when installing indoor coil of a air conditioning or heat pump system. Refer to coil instructions for further coil installation details.

### Non-Ducted Return Air System (Alcove or Closet)

NOTE: The return air grille mounting frame is not needed in this application since the filter will be accessed through the coil cabinet door. The wall mount grille is recommended in place of the grille and frame assembly. Modification to the wall may be required in some retrofit applications.

1. After securing the furnace as stated in its installation instructions (with the exception of the attachment of the return air grille mounting frame), position coil cabinet on top of furnace (See Figure 2). Secure with two or more fasteners at holes provided.
2. Remove filter and filter retainer from furnace. (If applicable) blower may need to be removed in order to remove filter retainer from furnace. Remove filters from coil assembly if necessary.

3. Remove the coil hold down bracket and slide the coil into the coil box on the shelf. Center the coil over the shelf opening.
4. Re-attach coil hold down bracket on the front of the coil drain pan.
5. Connect refrigerant and drain lines per coil installation instructions.
6. Attach door to coil box.
7. Ensure that the duct system is properly sized so as to account for any additional external static pressure produced from this more restrictive filtering method with a coil.

### Ducted Return Air System (Alcove or Closet)

1. Follow prior steps 1 - 7.
2. Connect the field fabricated duct to top of coil cabinet.

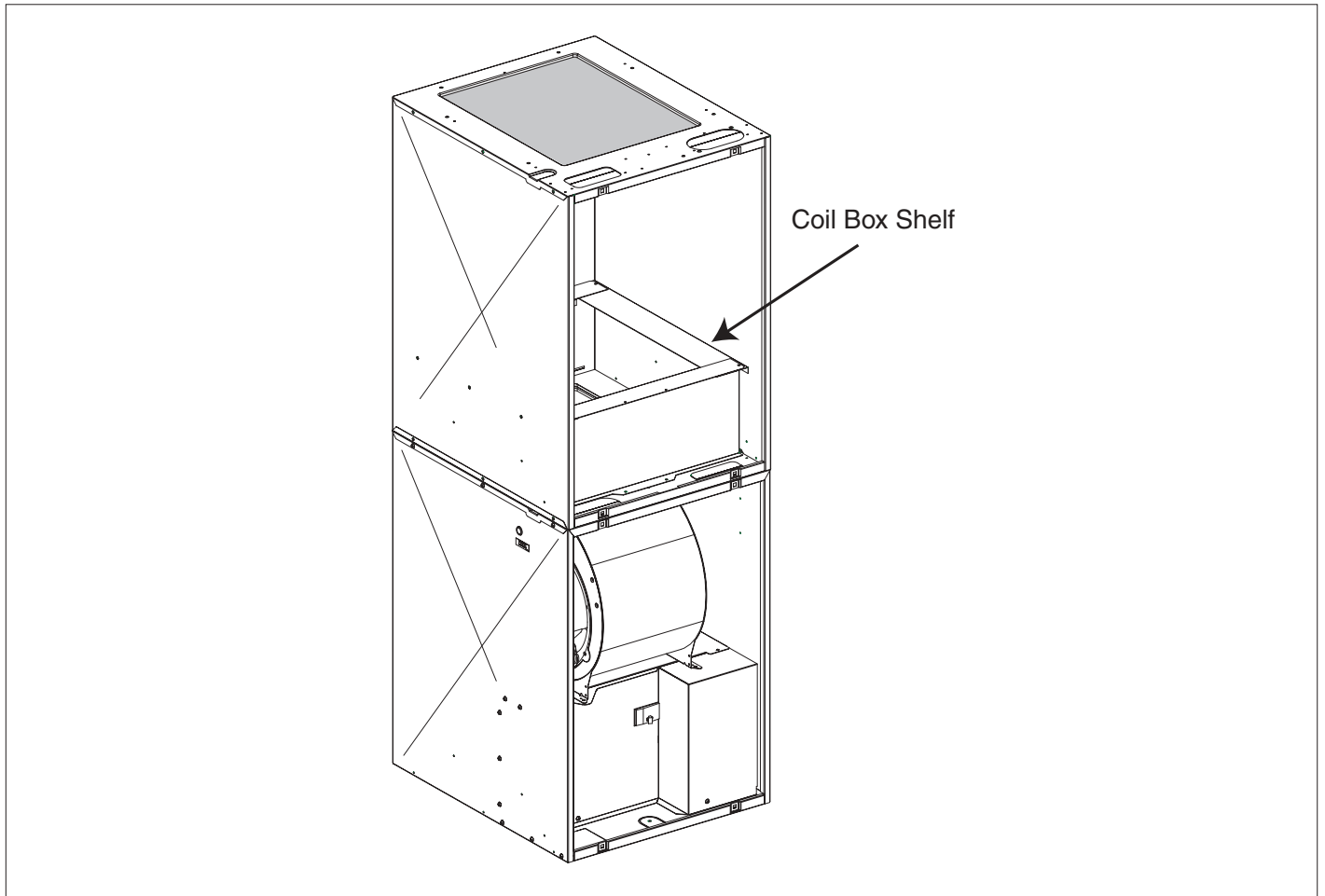


Figure 2. Downflow Installation

