

# Universal Combustible Floor Sub-Base Kit, # 904165

## Installation Instructions

**\*RL, \*TL, \*TK, and \*RK Series Downflow Furnaces**

**IMPORTANT:** Read these instructions and the \*RL Series installation instructions carefully before beginning the installation.

### GENERAL

These instructions are primarily intended to assist individuals experienced in the proper downflow furnace sub-base installation on a combustible floor. The kit has been listed by IAS for use with NORDYNE downflow furnaces. This floor sub-base must be used when installing a down flow gas furnace on a combustible floor. However, it may not be necessary when the furnace is installed on a factory or site-built cased air conditioning coil (See furnace installation instructions). The sub-base is adjustable so that it can be used on NORDYNE "A", "B", and "C" cabinet downflow furnaces.

### The Kit Contains the Following Parts:

1. 1- Installation Instructions
2. 2- Metal sub-base rails
3. 8- 1-1/4" x 22-1/2" insulation
4. 2- Locating tabs
5. 4- Screws

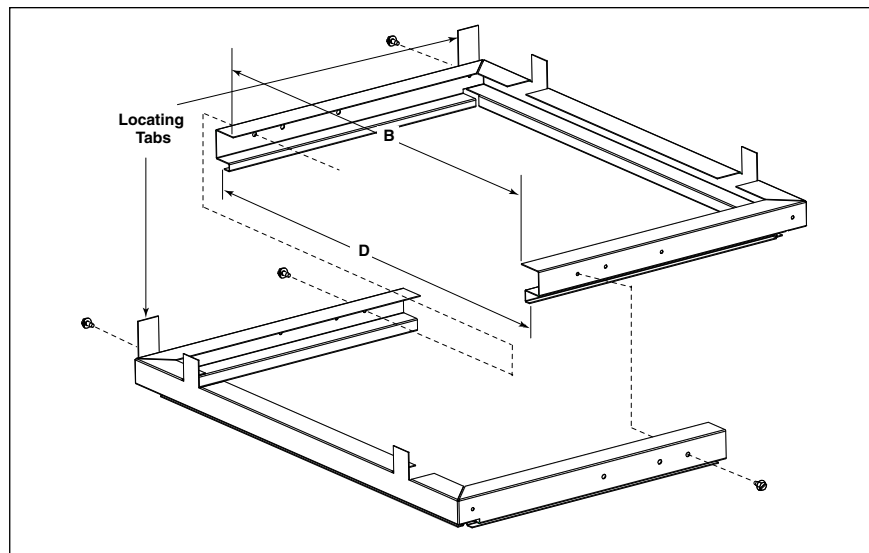
### **WARNING!**

**This kit must be installed by a qualified service person in accordance with this kit and furnace instructions and all codes having jurisdiction. Failure to follow these instructions could result in series injury, property damage, or death. The qualified service person performing this work assumes responsibility for this furnace installation.**

### ASSEMBLING THE SUB-BASE (See Figure 1 and 2)

1. Measure width of the furnace that is going to be installed and find what size of cabinet you have referring to Table 1.
2. Arrange metal sub-bases as shown in Figure 1.  
**Note:** Refer to Table 1. The first hole from the sub-base edge is for "C" cabinet, second hole is for "B" cabinet, and third hole is for "A" cabinet.
3. Fasten sub-base together by using screws.
4. Assemble locating tabs as shown in Figure 1.

FURNITUR CABINET	FURNITURE WIDTH INCHES	PLENUM OPENING		FLOOR OPENING		SUB-BASE WIDTH ADJUSTMENT
		A	B	C	D	
A	14-1/4	11-3/4	19	13-1/4	20-5/8	3
B	19-3/4	17-1/4	19	18-3/4	20-5/8	2
C	22-1/2	20	19	21-1/2	20-5/8	1



**Figure 1. Sub-base Arrangement**

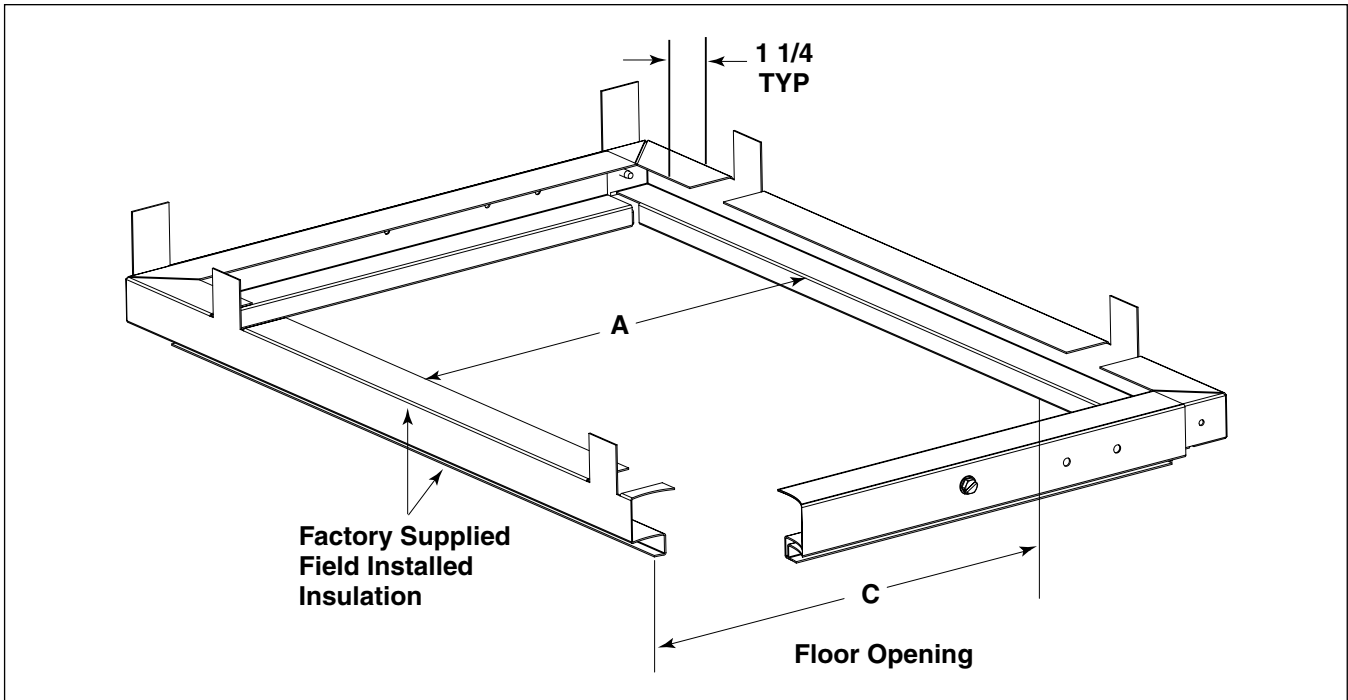


Figure 2. Sub-base Assembly

#### INSTALLATION FACTORY SUPPLIED INSULATION STRIPS

Supplied strips of insulation must be installed on top and bottom of sub-base.

1. Cut four (4) insulation strips to the furnace width length (See Table 1).
2. Peel adhesive protect paper from insulation surface.
3. Install insulation on top and bottom of sub-bas metal frame and lightly press it by hand.

#### CHECKING INSULATION STRIP LOCATION

1. Check the alignment of the insulation strips after locating furnace. **Note:** Insulation prevents air leakage between plenum and furnace to reduce combustible floor temperatures around the sub-base. (See Figure 3.)

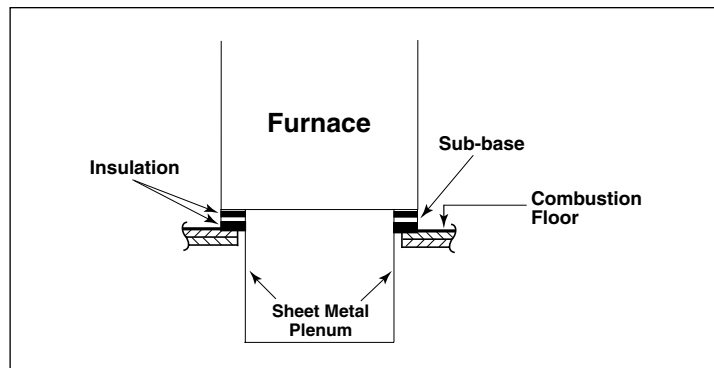


Figure 3. Typical Installed Furnace on Sub-base Plenum

