

LP and High Altitude LP Gas Conversion Kit For Canadian Installations

Installation Instructions

For Model Series G6/PGF1, L1/PGC1 Gas Furnaces, and R4/PPG1 Gas/Electric Appliances using Honeywell gas valve only

IMPORTANT: Read all instructions before beginning the conversion of the appliance.

This conversion kit is only for Canadian installations to convert a natural gas furnace to LP/Propane gas for altitudes between zero and 4,500 feet above sea level. To convert the unit to LP/Propane gas for altitudes between zero and 4,500 feet above sea level, the main gas orifices must be replaced. For higher altitudes (between 2,000 and 4,500 feet above sea level), the input must be de-rated by 10%. This can be done by simply reducing the manifold pressure without changing the gas orifices. For United States installations, the United States conversion kit must be used. Contact your local distributor for details on ordering the conversion kit for the United States.

The conversion shall be carried out by a manufacturer's authorized representative, in accordance with the requirements of the manufacturer, provincial or territorial authorities having jurisdiction and in accordance with the requirements of the CAN/CGA - B149.1 or CAN/CGA - B149.2 installation codes.

WARNING:

DO NOT REMOVE OR DEFACE THE ORIGINAL RATING PLATE.

WARNING:

This conversion kit must be installed by a qualified service technician in accordance with these instructions and all codes having jurisdiction. Failure to follow these instructions could result in serious injury, property damage, or death. The qualified service technician performing this work assumes responsibility for this conversion.

FOR YOUR SAFETY WHAT TO DO IF YOU SMELL GAS

- Do not try to light any appliance.
- Do not touch any electric switch; do not use any phone in your building.
- Immediately call your gas supplier from a neighbor's phone. Follow the gas supplier's instructions.
- If you cannot reach your gas supplier, call the fire department.

TO CONVERT THE UNIT TO LP/PROPANE GAS FROM NATURAL GAS FOR ALTITUDES BETWEEN ZERO AND 4,500 FEET ABOVE SEA LEVEL

Table 1 is a detailed listing of the components in the LP gas conversion kit. Please check the contents of the conversion kit with that of the parts listing, and familiarize yourself with each component.

CAUTION:

The gas supply shall be shut off prior to disconnecting the electrical power, before proceeding with the conversion.

To Turn Off the Fuel Supply to the Appliance:

1. Set the room thermostat to "OFF" or its lowest temperature setting.
2. Turn OFF the main gas supply to the appliance at the manual valve, outside of the appliance casing.
3. Turn OFF the electrical power to the appliance.
4. Remove the control access panel / louvered door.
5. Move the appliance gas valve lever/knob to the "OFF" position.

<u>Description</u>	<u>NORDYNE P/N</u>	<u>Qty.</u>
Installation Instructions		1
Honeywell Conversion Kit 393691 (to convert VR8205A 2008)	624588	1
Honeywell Conversion Kit 396221 (to convert VR8205S 2288)	624642	1
#54 Drill Size Burner Orifice Kit (contains (6) 661054)	150601	1
#55 Drill Size Burner Orifice Kit (contains (6) 661055)	150602	1
#56 Drill Size Burner Orifice Kit (contains (7) 661056)	272221	1
#57 Drill Size Burner Orifice Kit (contains (7) 661057)	151750	1
Conversion Warning Label	703935	1
Conversion Information Label	703942	1

Table 1. Canadian LP/Propane Conversion Kit Components

To Remove the Burner Assembly:

1. Follow the instructions “To Turn Off the Fuel Supply to the Appliance”.
2. Disconnect the flame sensor wire from the burner box.
3. Disconnect the ignitor wires at the 2-pin plug. This is a locking quick connect and both sides of the lower section must be depressed in order to be separated.
4. Remove the wires from the terminals of the gas valve.
5. If present, disconnect the rubber pressure tubes from the gas valve and the burner box. Note the pressure tubes are present only on the sealed combustion burner box, which is shown in Figure 2.
6. If present, remove the burner access cover plate from the burner box. Note that the burner access cover plate is present only on the sealed combustion burner box, which is shown in Figure 2.
7. Remove supply gas piping from the gas valve.
8. Remove the fasteners that secure the burner box to the heat exchanger panel and then remove the burner assembly from the appliance, as shown in Figures 1 and 2. Keep the fasteners that were removed. Note that the burner box may have hooks near the top of the burner box on the right and left hand sides. To remove this type of burner box, lift the burner box upwards and then remove the box from the unit.

! CAUTION:

Carefully remove the burner assembly from the unit.

To Remove the Burner Orifices:

1. Remove the fasteners that secure the gas manifold to the burner box, as shown in Figures 1 and 2. Carefully remove the gas manifold assembly from the burner box. Note that the gas manifold assembly consists of the gas valve, the gas manifold, and the orifices.
2. Carefully remove the natural gas burner orifices from the gas manifold, as shown in Figures 1 and 2.

! CAUTION:

Do not re-drill the burner orifices. If the orifice size must be changed, use only new orifices.

To Replace the Burner Orifices for LP/Propane:

1. Determine the rated input (BTU/HR) of your unit from the rating plate. Count the number of burners in the burner box. Use Table 2 to determine the appropriate LP orifice for your conversion.

FURNACE MODEL	INPUT	LP ORIFICE SIZE FOR ALTITUDES BETWEEN 0-4500 FT.		MANIFOLD PRESSURE	
*G6RA/PGF1RA *G6RK/PGF1RK R4/PPG1	45,000	54		0 TO 1,999 FEET 2,000 TO 4,500 FEET	10.0 in w.c. 8.5 in w.c.
	60,000	55			
	72,000	54			
	96,000	54			
	120,000	54			
	135,000	54			
	144,000	54			
*G6RC/PGF1RC	40,000	55		0 TO 1,999 FEET 2,000 TO 4,500 FEET	10.0 in w.c. 8.5 in w.c.
	60,000	55			
	80,000	55			
	100,000	55			
	120,000	55			
*G6T/PGF1T	72,000	54		0 TO 1,999 FEET 2,000 TO 4,500 FEET	10.0 in w.c. 8.5 in w.c.
	92,000	56			
	100,000	55			
	110,000	56			
	120,000	54			
*L1RA/PGC1RA	45,000	57		0 TO 1,999 FEET 2,000 TO 4,500 FEET	10.0 in w.c. 8.5 in w.c.
	54,000	56			
	72,000	56			
	90,000	56			
	108,000	56			
	126,000	56			
*L1RC/PGC1RC	38,000	55		0 TO 1,999 FEET 2,000 TO 4,500 FEET	9.5 in w.c. 9.0 in w.c.
	60,000	55			
	80,000	55			
	100,000	55			
	120,000	55			

Table 2. Burner Orifice Sizes and Manifold Pressures

2. Install the appropriate LP/Propane gas burner orifices into the gas manifold. When installing the new orifices, **DO NOT** use pipe joint compound on the orifice threads. Screw the orifices into the manifold by hand until snug to eliminate cross threading, then tighten with a wrench. Before installing an orifice, check the face or side of the orifice for the drill number to ensure that it is the appropriate size.
3. For the conversion to LP/Propane gas from natural gas, the spring in the gas valve must be replaced. The gas valve conversion kit (#624588) is used to convert the Honeywell VR8205 (A,M) series gas valve only, and conversion kit (#624642) is used to convert Honeywell valve VR8205S 2288 only. Inspect the gas valve that was removed from the unit being converted to determine the manufacturer and series. Then, install the appropriate gas valve conversion kit using the instructions supplied in that kit.

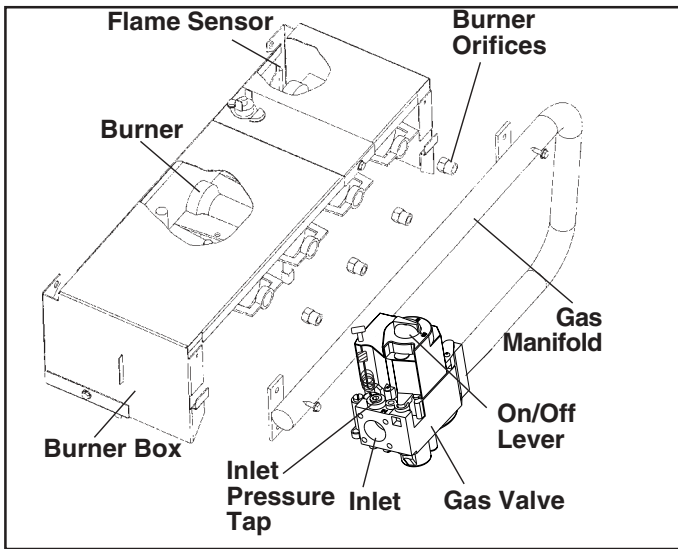


Figure 1. Typical Non-Sealed Burner Box

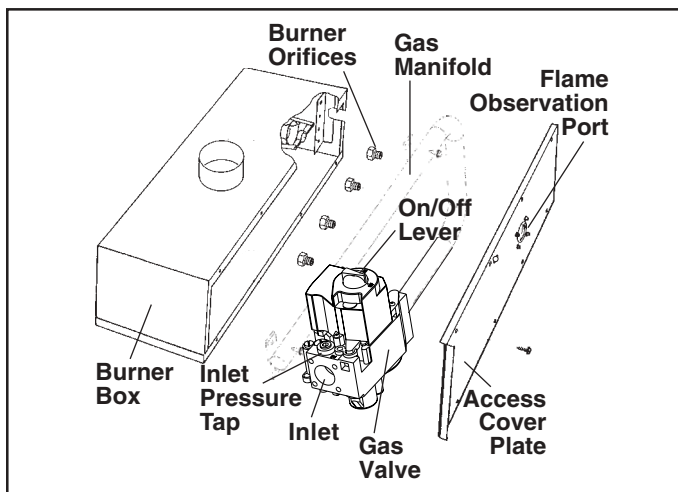


Figure 2. Typical Sealed Burner Box With Access Cover Plate

! WARNING:

Do NOT convert an appliance with a Robertshaw Gas Valve using this kit. Robertshaw Gas Valves require a different kit that must be ordered through your local distributor. Contact your local distributor for the appropriate LP/Propane conversion kit.

Instructions for Converting Honeywell Valve Part No. VR8205S 2288 to LP/Propane Gas.

1. Turn off gas supply at the appliance service valve.
2. When converting this valve, use conversion kit part number 624642 ONLY.
3. Remove the pressure regulator adjustment screw located underneath the cap screw. For condensing furnaces, the Pressure Regulator Adjustment is located underneath the brass fitting (see Figure 3).
4. Remove the existing spring
5. Insert the replacement spring.
6. Reinstall the plastic pressure regulator adjustment screw.
7. Reinstall brass fitting if applicable.

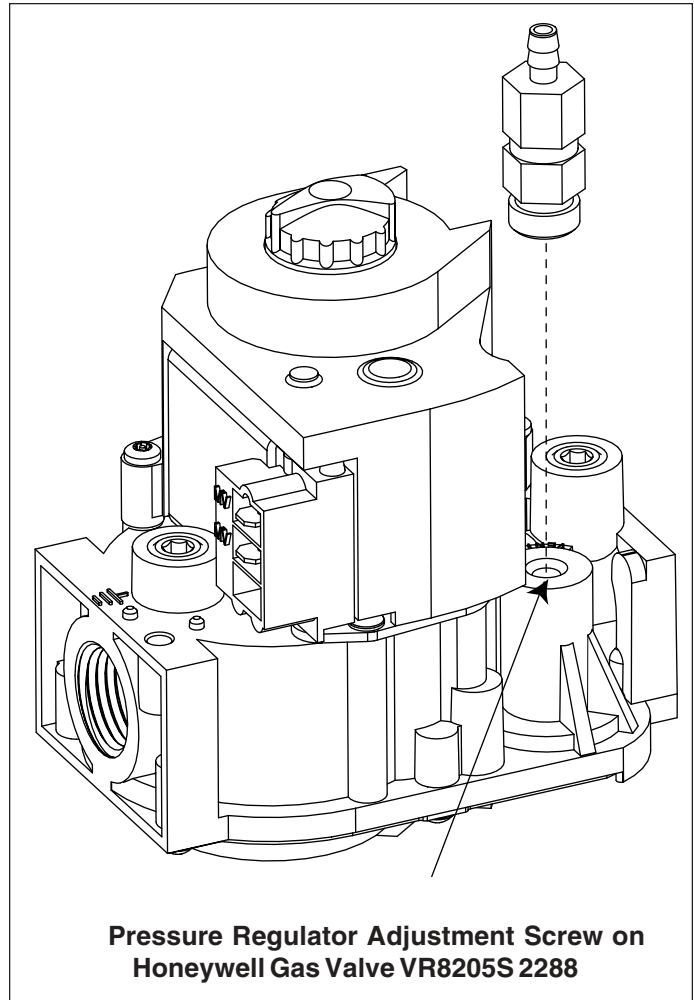


Figure 3

Reinstalling the Burner Assembly:

1. Reinstall the gas manifold assembly to the burner box with the fasteners, which were removed earlier.
2. Carefully reinstall the burner box into the unit. After installing the burner, inspect the alignment of the burners with the heat exchanger tubes. The center of the burners should be aligned with the center of the tubes.
3. Reconnect the gas piping to the gas valve.
4. Reconnect the wires to the gas valve terminals.
5. Reconnect the rubber pressure tubes to the gas valve and the burner box. Reinstall the burner access cover plate. Note that this step is only for the sealed burner box, which is shown in Figure 2.
6. Reconnect the ignitor at the 2-pin plug.
7. Reconnect the flame sensor wire to the burner box.

GAS PRESSURE ADJUSTMENT

Checking the Supply Gas Pressure

1. Turn OFF the gas supply to the unit at the manual valve located outside of the unit.
2. With a 3/16 inch Allen wrench, remove the INLET pressure tap plug located on the INLET side of the gas valve, refer to Figure 3 for more details.
3. Connect a U-tube manometer to the INLET pressure tap.
4. Turn ON the main gas supply at the manual valve.
5. Check and adjust the incoming gas line pressure to 11.0-14.0 inches WC for LP/Propane gas.
6. Turn OFF the gas supply to the unit at the manual valve located outside of the unit.
7. Disconnect the U-tube manometer and replace the INLET pressure tap plug. Be sure that the plug is tight and not cross-threaded.

Lighting and Adjustment of the Appliance

1. Turn ON the gas supply to the unit at the manual valve located outside of the unit.
2. Check all gas connections for leaks with a soap and water solution. If the solution bubbles there is a gas leak which must be corrected. **DO NOT** use an open flame to check for gas leaks.
3. Turn ON the electrical power to the appliance.
4. Move the gas valve lever/knob to the "ON" position. The lever/knob must be moved to the end of its range of motion to insure the valve is completely open. Use only your hand to push in or turn the gas control valve. Never use tools.
5. Set the room thermostat to a point above room temperature to begin the heating cycle of the unit.
6. Check that the unit ignites and operates properly. Refer to the Installation Instructions provided with your unit for the normal operating sequence.
7. After the flame ignites, visually inspect the burner assembly to ensure that the flame is drawn directly into the center of the heat exchanger tube, as shown in Figure 5. The end of the flame will be out of sight

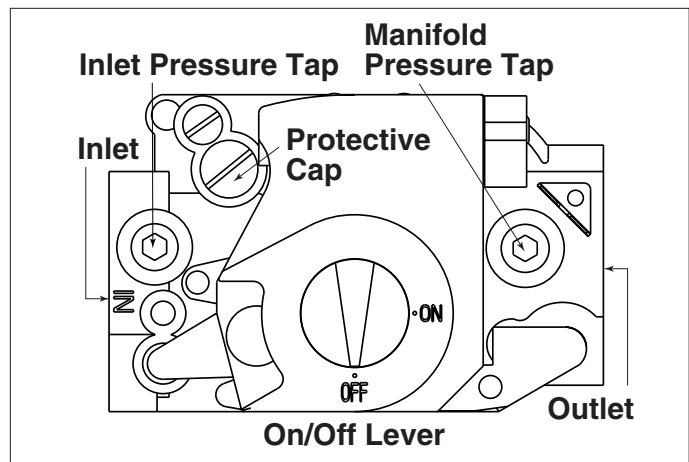


Figure 4. Gas Valve (Honeywell VR8205 (A,M) shown)

around the bend of the heat exchanger tube. In a properly adjusted burner assembly, the flame color should be blue with some light yellow streaks near the outer portions of the flame.

Note: Until all of the air is bled out of the gas line, the hot surface ignitor may not ignite the gas. If the ignition control locks out, turn the thermostat to its lowest setting and wait one (1) minute then turn the thermostat to a point above room temperature and the ignitor will try again to ignite the main burners. This process may have to be repeated several times before the burners will ignite. Once the burners are lit, check all gas connections for leaks again with the soap and water solution. If the solution bubbles there is a gas leak which must be corrected. Do not use an open flame to check for gas leaks.

Checking the Manifold Pressure

The manifold pressure must be measured by installing a pressure gauge or U-tube manometer to the OUTLET end of the gas valve as follows:

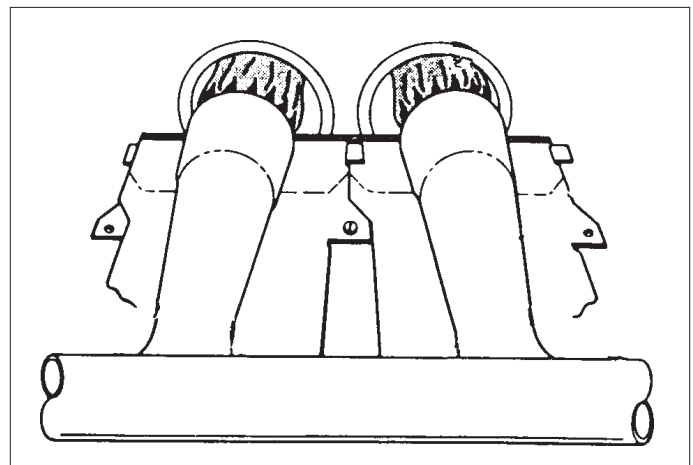


Figure 5. Burner Inspection

1. Turn off gas to the appliance.
2. With a 3/16 inch Allen wrench, remove the manifold pressure tap plug located on the OUTLET side of the gas valve. Refer to Figure 4 for more details.
3. A fitting, which has a 1/8 inch NPT pipe thread that is compatible with the pressure gauge or U-tube manometer, must be installed at this point.
4. Install the pressure gauge or U-tube manometer according to the manufacturer's supplied instructions.
5. Set the room thermostat to a point above room temperature to start the furnace.
6. Allow the furnace to operate for three (3) minutes and then check the manifold pressure.
7. Compare the measured value with the value shown in Table 2. If the manifold pressure is not set to the appropriate pressure, then it must be adjusted.

Adjusting the Manifold Pressure

1. If the manifold pressure must be adjusted, then remove the protective cap or fitting from the top of the gas valve regulator, as shown in Figure 3 and 4.
2. Using a short screwdriver, turn the adjustment screw to obtain the appropriate manifold pressure determined earlier. Note: Turning the screw clockwise increases the pressure. Turning the screw counter-clockwise decreases the pressure.
3. Replace and tighten the protective cap over the adjustment screw, or replace the fitting and hoses.

Removing the Pressure Gauge or U-tube Manometer

Once the manifold pressure has been properly adjusted, the pressure gauge or U-tube manometer must be removed from the gas valve.

1. Turn the thermostat to "OFF" or to its lowest setting.
2. Turn OFF all of the electrical power supplies to the unit.
3. Turn OFF the main gas supply to the unit at the manual shut-off valve, which is located outside of the unit.
4. Remove the manometer adapter from the gas valve and replace it with the 1/8 inch NPT manifold pressure plug that had been removed earlier. Ensure that the plug is tight and not cross-threaded.
5. Turn ON the electrical power to the unit.
6. Turn ON the main gas supply to the unit at the manual shut-off valve, which is located outside of the unit.
7. Check all gas connections for leaks with soap and water solution. If the solution bubbles, there is a gas leak which must be corrected. **DO NOT** use an open flame to check for gas leaks.

COMPLETING THE CONVERSION

1. Affix the conversion label (#703935) provided in the kit to the outside of the door of the unit. Next, affix the conversion information label (#703942) near the rating plate on the inside of the control area of the appliance. Finally, affix the gas valve conversion label found in the Gas Valve Conversion Kit to the rating plate. Each label should be prominent and visible, after installation.
2. Reinstall the appliance control panel/door.
3. Run the appliance through three complete cycles to assure proper operation.

Instructions d'installation

Pour les appareils de chauffage de la série G6/PGF1, les appareils au gaz L1/PGC1 et les appareils au gaz / électriques R4/PPG1 utilisant une soupape de gaz Honeywell seulement

IMPORTANT— Il faut lire toutes les instructions avant de commencer la conversion de cet appareil.

Cette trousse de conversion est seulement pour les installations canadiennes pour convertir un appareil au gaz naturel pour fonctionnement au propane (GPL) entre 0 et 1370 m (4500 pi) d'altitude. Pour convertir un appareil du gaz naturel au propane (GPL) pour une altitude entre 0 et 1370 m (0 à 4500 pi), il faut remplacer les buses principales. Pour les altitudes plus élevées (entre 600 m et 1370 m ; 2000 et 4500 pi), la puissance brute doit être diminuée de 10 %. Il suffit simplement de diminuer la pression de la tubulure, sans changer les buses de gaz. Pour les installations aux États-Unis, il faut utiliser la trousse de conversion américaine. Contacter le distributeur local pour plus de détails sur la commande des ensembles de conversion aux États-Unis.

La conversion doit être faite par un représentant autorisé par le fabricant, en respectant toutes les normes du fabricant et des autorités provinciales ou territoriales ayant juridiction et conformément aux codes d'installation CAN/CGA-B149.1 ou CAN/CGA-B149.2.

ATTENTION:

IL NE FAUT PAS ENLEVER NI ENDOMMAGER LA PLAQUE D'IDENTIFICATION D'ORIGINE.

ATTENTION:

Cette trousse de conversion doit être installée par un technicien qualifié en respectant ces instructions et tous les codes applicables. Si ces instructions ne sont pas suivies, il y a danger de blessures graves, de dégâts ou même de mort. Le technicien qualifié exécutant ce travail accepte toute la responsabilité pour cette conversion.

SÉCURITÉ CE QU'IL FAUT FAIRE EN CAS D'ODEUR DE GAZ

- Il ne faut pas essayer d'allumer quelque appareil que ce soit.
- Il ne faut pas toucher un interrupteur électrique ni utiliser un téléphone dans le bâtiment.
- Appeler immédiatement le fournisseur de gaz en utilisant le téléphone d'un voisin. Suivre les instructions du fournisseur de gaz.
- S'il n'est pas possible de communiquer avec le fournisseur de gaz, appeler les pompiers.

CONVERSION DE L'APPAREIL DU GAZ NATUREL AU PROPANE (GPL) POUR UNE ALTITUDE ENTRE ZÉRO ET 1370 M (4500 PI)

Le tableau 1 donne une liste détaillée des composants de la trousse de conversion au GPL. Il faut vérifier que le contenu de la trousse de conversion correspond à la liste des pièces et se familiariser avec chacun des composants.

PRUDENCE:

Avant de commencer la conversion, il faut couper l'alimentation de gaz avant de débrancher l'alimentation électrique.

Coupage de l'alimentation de gaz de l'appareil:

1. Mettre le thermostat sur l'arrêt (Off) ou à la température la plus basse possible.
2. FERMER l'alimentation principale de gaz de l'appareil au robinet manuel situé à l'extérieur du boîtier.
3. Couper l'alimentation électrique de l'appareil.
4. Démontez le panneau d'accès aux commandes et la porte à persiennes.
5. Mettre le levier ou le bouton de la commande de gaz de l'appareil sur la position d'arrêt (OFF).

Description	N° de pièce NORDYNE	Qté
Instructions d'installation		1
Trousse de conversion Honeywell 393691 (pour convertir le VR8205A 2008)	624588	1
Trousse de conversion Honeywell 396221 (pour convertir le VR8205S 2288)	624642	1
Trousse de buse de brûleur n° 54 (contient (6) 661054)	150601	1
Trousse de buse de brûleur n° 55 (contient (6) 661055)	150602	1
Trousse de buse de brûleur n° 56 (contient (7) 661056)	272221	1
Trousse de buse de brûleur n° 57 (contient (7) 661057)	151750	1
Étiquette d'avert. de conv.	703935	1
Étiquette de renseignements de conv.	703942	1

Tableau 1 – Composants de l'ensemble canadien de conversion au GPL/propane

Démontage du brûleur:

1. Suivre les instructions de coupure de l'alimentation de gaz de l'appareil.
2. Débrancher du boîtier du brûleur le fil du détecteur de flamme.
3. Débrancher les fils de l'allumeur au connecteur à deux broches. C'est un connecteur verrouillable, et il faut appuyer sur les deux côtés de la portion inférieure pour l'ouvrir.
4. Enlever les fils des bornes du robinet de gaz.
5. Si présents, débrancher les tubes de pression en caoutchouc du robinet de gaz et du boîtier du brûleur. Les tubes de pression ne sont présents qu'avec le boîtier de brûleur étanche, montré à la figure 2.
6. Si présent, enlever du boîtier de brûleur le couvercle d'accès aux brûleurs. Le couvercle d'accès aux brûleurs n'est présent que sur le boîtier de brûleur étanche, montré à la figure 2.
7. Débrancher du robinet la conduite d'alimentation de gaz.
8. Enlever les vis retenant le boîtier des brûleurs sur le panneau de l'échangeur de chaleur et démonter ensuite les brûleurs de l'appareil, comme montré aux figures 1 et 2. Conserver les vis enlevées. Il peut y avoir des crochets près du haut, à droite et à gauche, du boîtier des brûleurs. Pour démonter ce type de boîtier de brûleurs, soulever le boîtier de brûleurs et le sortir de l'appareil.



PRUDENCE:

Il faut sortir doucement le boîtier des brûleurs de l'appareil.

Démontage des buses des brûleurs

1. Enlever les vis retenant la tubulure de gaz sur le boîtier de brûleurs, comme montré aux figures 1 et 2. Séparer doucement la tubulure de gaz du boîtier de brûleurs. La tubulure de gaz comprend le robinet de gaz, la tubulure et les buses.
2. Démontez avec précaution les buses de gaz naturel de la tubulure de gaz, comme montré aux figures 1 et 2.



PRUDENCE:

Il ne faut pas recalibrer les buses de brûleurs. S'il faut changer la taille des buses, seulement utiliser de nouvelles buses.

Réassemblage des buses pour le propane (GPL)

1. Déterminer la puissance d'alimentation nominale (BTU/h) de l'appareil (sur la plaque d'identification). Compter le nombre de brûleurs dans le boîtier de brûleurs. Utiliser le tableau 2 pour déterminer la buse appropriée pour la conversion au GPL.

MODÈLE D'APPAREIL DE CHAUFFAGE	PUISSANCE D'ALIMENTATION	DIMENSION DES BUSES POUR		PRESSION	
		GPL ALTITUDES ENTRE 0 ET 1371 M (4500 PI)		DE LA TUBULURE	
*G6RA/PGF1RA *G6RK/PGF1RK R4/PPG1	45000	54		DE 0 À 609 M (0 À 1999 PI) DE 610 À 1370 M (2000 À 4500 PI)	10,0 po de colonne d'eau 8,5 po de colonne d'eau
	60000	55			
	72000	54			
	96000	54			
	120000	54			
	135000	54			
144000	54				
*G6RC/PGF1RC	40000	55		DE 0 À 609 M (0 À 1999 PI) DE 610 À 1370 M (2000 À 4500 PI)	10,0 po de colonne d'eau 8,5 po de colonne d'eau
	60000	55			
	80000	55			
	100000	55			
	120000	55			
*G6T/PGF1T	72000	54		DE 0 À 609 M (0 À 1999 PI) DE 610 À 1370 M (2000 À 4500 PI)	10,0 po de colonne d'eau 8,5 po de colonne d'eau
	92000	56			
	100000	55			
	110000	56			
	120000	54			
*L1RA/PGC1RA	45000	57		DE 0 À 609 M (0 À 1999 PI) DE 610 À 1370 M (2000 À 4500 PI)	10,0 po de colonne d'eau 8,5 po de colonne d'eau
	54000	56			
	72000	56			
	90000	56			
	108000	56			
	126000	56			
*L1RC/PGC1RC	38000	55		DE 0 À 609 M (0 À 1999 PI) DE 610 À 1370 M (2000 À 4500 PI)	10,0 po de colonne d'eau 8,5 po de colonne d'eau
	60000	55			
	80000	55			
	100000	55			
	120000	55			

Tableau 2. Dimensions des buses de brûleurs

2. Installer dans la tubulure les buses appropriées pour les brûleurs au GPL/propane. **II NE FAUT PAS** utiliser de pâte d'étanchéité sur les filets des buses pendant l'installation. Pour éviter de foirer le pas de vis, visser les buses dans la tubulure à la main autant que possible et serrer avec une clé. Avant l'installation d'une buse, vérifier que le numéro de foret sur le côté ou l'extrémité de la buse est correct.
3. Pour la conversion du gaz naturel au GPL/gaz propane, il faut remplacer le ressort du robinet de gaz. La trousse de conversion de robinet de gaz (n° 624588) est utilisée pour la conversion du robinet de gaz Honeywell de la série VR8205 (A,M) seulement et la trousse de conversion (n° 624642) est utilisée pour la conversion du robinet Honeywell VR8205S 2288 seulement. Il faut inspecter le robinet de gaz démonté pour en déterminer le fabricant et la série. Installer ensuite la trousse de conversion de robinet de gaz appropriée en utilisant les instructions fournies avec celle-ci.

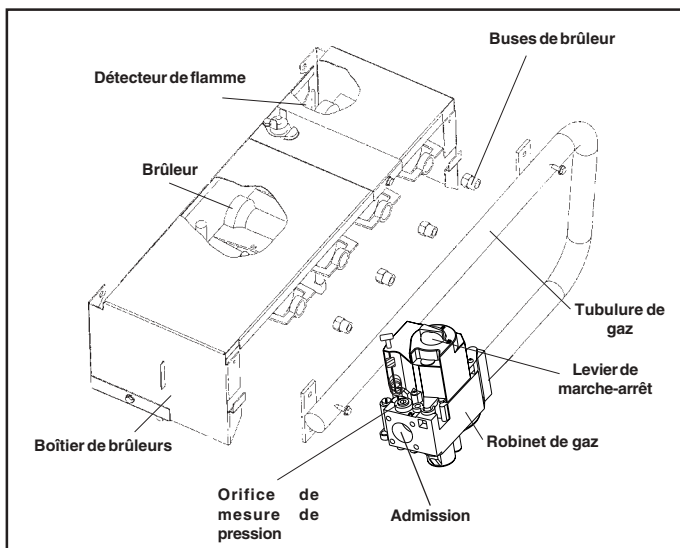


Figure 1 - Boîtier de brûleur non scellé typique

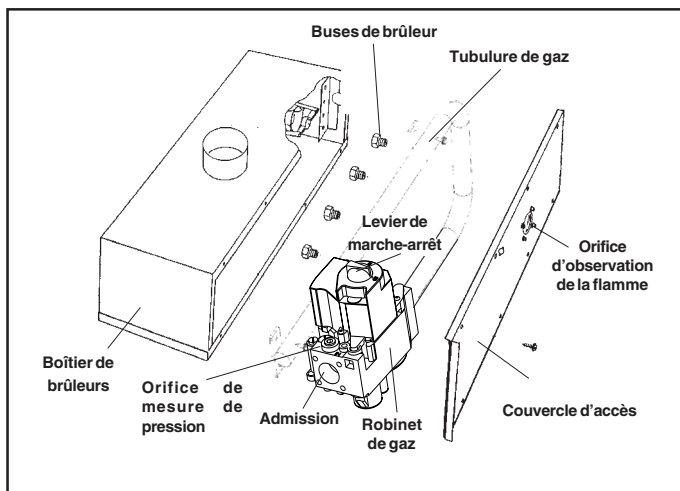


Figure 2 - Boîtier de brûleur scellé typique avec couvercle d'accès

⚠ ATTENTION:

Ne PAS utiliser cette trousse pour convertir un appareil avec soupape de gaz Robertshaw. Les soupapes de gaz Robertshaw nécessitent une trousse différente qui doit être commandée auprès du distributeur local. Contacter le distributeur local pour obtenir la trousse appropriée de conversion au GPL/gaz propane.

Instructions pour la conversion de la soupape Honeywell n° VR8205S 2288 au GPL/propane.

1. Fermer l'alimentation en gaz de l'appareil.
2. Pour convertir cette soupape, utiliser la trousse de conversion n° 624642 SEULEMENT.
3. Démontez la vis de réglage du régulateur de pression située sous la vis d'assemblage. Dans les chaudières à condensation, la vis de réglage du régulateur de pression se trouve sous le raccord en laiton (figure 3).
4. Démontez le ressort existant.
5. Insérer le ressort de rechange.
6. Remontez la vis de réglage du régulateur de pression en plastique.
7. Remontez le raccord en laiton s'il y a lieu.

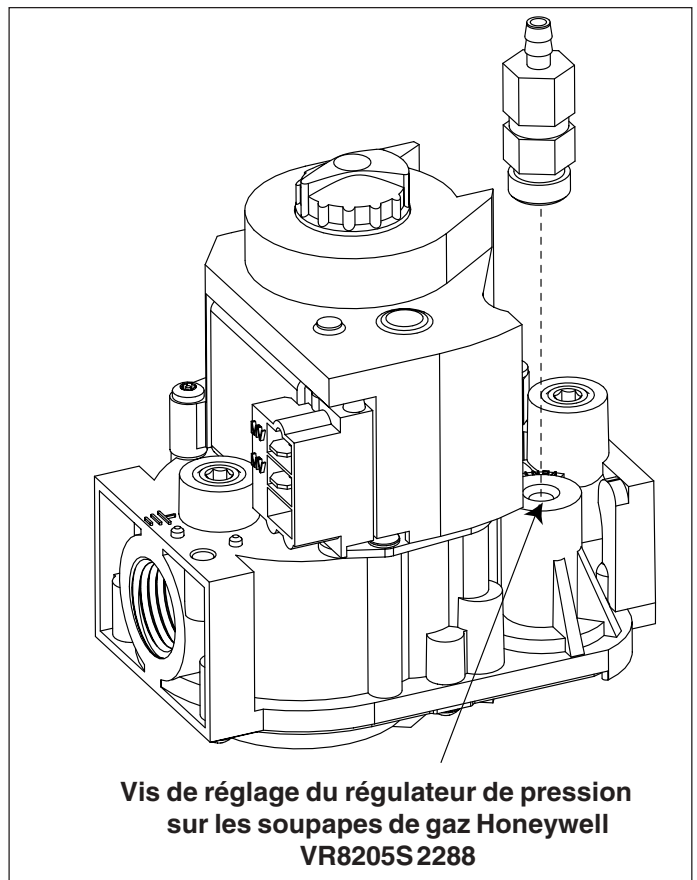


Figure 3

Remontage des brûleurs:

1. Remonter la tubulure de gaz sur le boîtier de brûleurs avec les vis qui ont été enlevées précédemment.
2. Remonter avec soin le boîtier de brûleurs dans l'appareil. Après l'installation, vérifier l'alignement des brûleurs sur les tubes de l'échangeur de chaleur. Le centre des brûleurs doit être aligné sur le centre des tubes.
3. Rebrancher les tuyaux de gaz sur le robinet de gaz.
4. Rebrancher les fils sur les bornes du robinet de gaz.
5. Rebrancher les tubes de pression en caoutchouc sur le robinet de gaz et le boîtier des brûleurs. Reposer le couvercle d'accès aux brûleurs. Cette étape ne s'applique qu'au boîtier de combustion scellé, montré à la figure 2.
6. Rebrancher l'allumeur sur le connecteur à deux broches.
7. Rebrancher le fil du détecteur de flamme sur le boîtier des brûleurs.

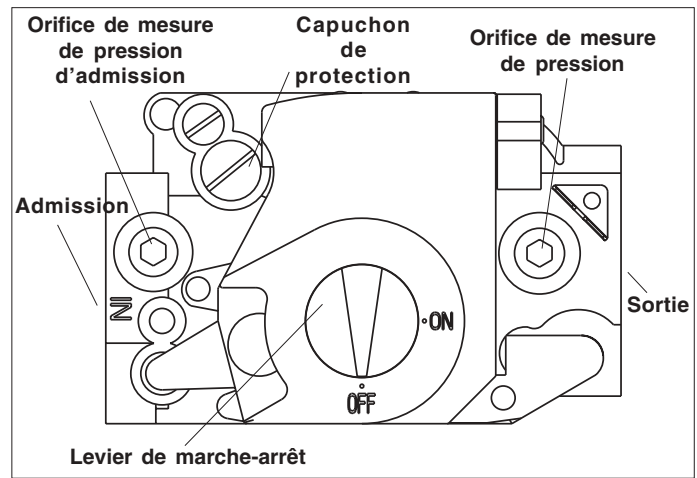


Figure 4. Robinet de gaz
(Honeywell VR8205 (A,M) montré)

RÉGLAGE DE LA PRESSION D'ALIMENTATION DE GAZ

Vérification de la pression d'alimentation de gaz

1. Couper l'alimentation de gaz au robinet manuel situé à l'extérieur de l'appareil.
2. Avec une clé mâle de 3/16 po, enlever le bouchon de l'orifice de pression d'admission (INLET) sur le côté admission du robinet. Consulter les détails à la figure 3.
3. Brancher un tube manométrique en U à l'orifice de pression d'admission (INLET).
4. Ouvrir l'alimentation principale de gaz de l'appareil au robinet manuel.
5. Vérifier et régler la pression d'alimentation pour avoir entre 279 et 355 mm (11,0 à 14,0 po) de colonne d'eau pour le GPL/propane.
6. Couper l'alimentation de gaz de l'appareil au robinet manuel situé à l'extérieur de l'appareil.
7. Débrancher le tube manométrique en U et remettre en place le bouchon de l'orifice de mesure de pression d'admission (INLET). Vérifier que le bouchon est bien serré et que le filet n'est pas foiré.

Allumage et réglage de l'appareil

1. Ouvrir le robinet manuel d'alimentation à l'extérieur de l'appareil.
2. Avec de l'eau savonneuse, vérifier que les branchements de gaz ne fuient pas. Des bulles indiquent une fuite de gaz qu'il faut corriger. **IL NE FAUT PAS** utiliser de flamme pour vérifier s'il y a des fuites.
3. Mettre en marche l'alimentation électrique de l'appareil.
4. Mettre le levier ou bouton du robinet sur la position de marche (ON). Il faut tourner le levier ou le bouton jusqu'en fin de course pour assurer que le robinet est complètement ouvert. Il ne faut pousser ou tourner le robinet qu'à la main. Ne jamais utiliser d'outil.
5. Mettre le thermostat à un point au-dessus de la température ambiante pour commencer un cycle de chauffage de l'appareil.
6. Vérifier que l'appareil se met en marche et fonctionne correctement. Consulter la séquence normale de fonctionnement dans les instructions d'installation fournies avec l'appareil.
7. Après l'allumage des brûleurs, vérifier visuellement que les flammes des brûleurs sont attirées directement au

centre des tubes de l'échangeur de chaleur, comme montré à la figure 5. L'extrémité de la flamme doit être invisible, au-delà du coude du tube de l'échangeur de chaleur. Quand les brûleurs sont réglés correctement, la flamme doit être bleue avec quelques stries jaunes près de l'extérieur de la flamme.

Remarque: Il est possible que l'allumeur à surface chaude n'allume pas le gaz avant la purge totale de l'air de la tubulure. Si le système d'allumage se met en mode de sécurité, mettre le thermostat à la température la plus basse possible et attendre une (1) minute avant de remettre le thermostat à un point supérieur à la température ambiante; l'allumeur essaiera de nouveau d'allumer les brûleurs. Il peut être nécessaire de répéter cette procédure plusieurs fois avant de pouvoir allumer les brûleurs. Quand les brûleurs sont allumés, vérifier avec de l'eau savonneuse que les conduites de gaz ne fuient pas. En cas de bulles, corriger la fuite de gaz. Il ne faut pas utiliser de flamme pour vérifier s'il y a des fuites de gaz.

Vérification de la pression dans la tubulure

Pour mesurer la pression de la tubulure, brancher un manomètre ou un tube manométrique en U à la sortie du robinet de gaz:

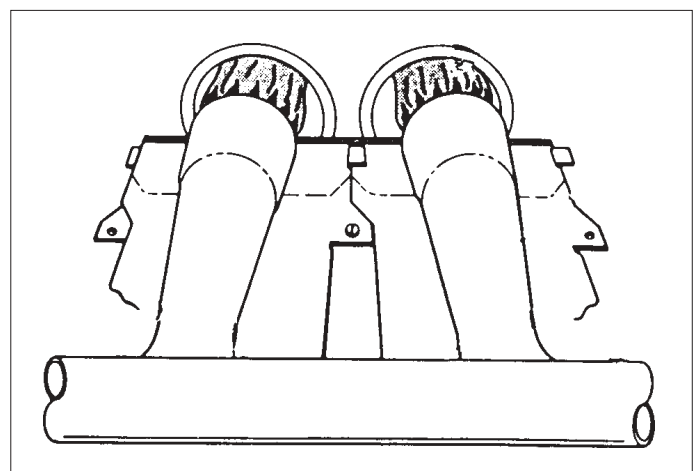


Figure 5 - Inspection des brûleurs

1. Couper l'alimentation en gaz de l'appareil.
2. Avec une clé mâle de 3/16 po, enlever le bouchon de vérification de pression de la tubulure, à l'extérieur du robinet de gaz. Consulter les détails à la figure 4.
3. Installer un raccord de 1/8 po NPT avec un filetage compatible avec celui du manomètre ou du tube en U.
4. Brancher le manomètre ou le tube en U en suivant les instructions du fabricant.
5. Mettre le thermostat à une température supérieure à la température ambiante pour mettre l'appareil de chauffage en marche.
6. Laisser l'appareil fonctionner pendant trois (3) minutes et vérifier la pression de la tubulure.
7. Comparer la valeur mesurée à la valeur montrée au tableau 2. Si la pression de tubulure ne convient pas, il faut la régler correctement.

Réglage de la pression dans la tubulure

1. S'il faut régler la pression dans la tubulure, enlever le capuchon de protection du dessus du détendeur de gaz, comme montré aux figures 3 et 4.
2. Avec un tournevis court, tourner la vis de réglage pour obtenir la pression désirée. Remarque: Visser pour augmenter la pression et dévisser pour la diminuer.
3. Revisser en place le capuchon de protection sur la vis de réglage ou remonter le raccord et les tuyaux.

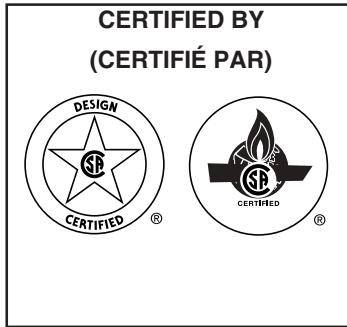
Démontage du manomètre ou du tube en U

Il faut démonter le manomètre ou le tube en U après avoir réglé correctement la pression de la tubulure.

1. Mettre le thermostat sur l'arrêt ou à la température la plus basse possible.
2. Couper l'alimentation électrique de l'appareil.
3. Couper l'alimentation principale de gaz de l'appareil au robinet manuel, situé à l'extérieur de l'appareil.
4. Débrancher l'adaptateur du manomètre du robinet de gaz et le remplacer par le bouchon de 1/8 po NPT enlevé précédemment. Vérifier que le bouchon est bien serré et que les filets ne sont pas foirés.
5. Mettre l'appareil sous tension.
6. Ouvrir l'alimentation principale de gaz de l'appareil au robinet manuel situé à l'extérieur de l'appareil.
7. Avec de l'eau savonneuse, vérifier que les branchements de gaz ne fuient pas. Des bulles indiquent une fuite de gaz qu'il faut corriger. **IL NE FAUT PAS** utiliser de flamme pour vérifier s'il y a des fuites.

FINITION DE LA CONVERSION

1. Coller à l'extérieur de la porte de l'appareil l'étiquette de conversion (n° 703935) fournie dans la trousse. Coller ensuite à l'intérieur de l'appareil, à proximité de la plaque d'identification, l'étiquette de renseignements de conversion (n° 703942). Finalement, coller sur la plaque d'identification l'étiquette de conversion du robinet de gaz qui se trouve dans la trousse de conversion du robinet de gaz. Après l'installation, chaque étiquette doit être bien visible.
2. Remettre en place le panneau de commandes et la porte.
3. Vérifier le bon fonctionnement de l'appareil pendant trois cycles complets.



7082860 (Replaces 7080630 and 7080110)



7082860

Specifications and illustrations subject to change without notice and without incurring obligations. Printed in U.S.A. (8/03)

Les spécifications et les illustrations peuvent changer à n'importe quel moment, sans préavis et sans obligation. Imprimé aux États-Unis d'Amérique. (8/03)