

ADDENDUM For Variable Speed Furnaces used with Two Stage Cooling

Two-Stage Furnaces with Variable Speed Blower, Single-Stage Furnaces with Variable Speed Blower

The furnace is supplied with the yellow "Y1" and blue "Y2" connections attached to the "Y" terminal on the furnace control board. For single stage cooling operation, leave the yellow and blue wires in place. The indoor blower will operate at the CFM called out in the "High" column.

For Single Stage Heat and Two Stage Cooling

When installing this furnace with a two stage condensing unit, remove the blue "Y2" wire from the control board and connect to the thermostat. Connect a field supplied wire from the yellow "Y1" to the thermostat and the condensing unit, and another wire connected from "Y2" on the thermostat to "Y2" on the condenser. (See Figure 1).

For Two Stage Heating and Two Stage Cooling

When installing this two stage furnace with a two stage condensing unit, both the yellow "Y1" and the blue "Y2" connections remain on the furnace control board. Connect a field supplied wire from the yellow "Y1" to the thermostat and the condensing unit, and another wire from "Y2" on the thermostat to "Y2" on the condenser. (See Figure 1).

Follow all start up procedures outlined in the instruction manual.

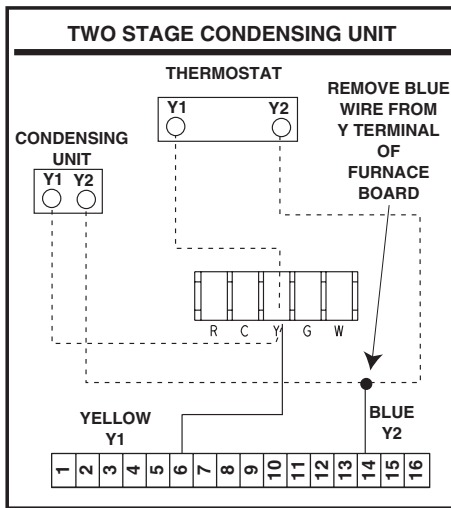


Figure 1

CFM		SWITCH NUMBER							Nominal A/C and HP Capacity
LOW	HIGH	1	2	3	4	5	6	7	
500	720	0	0	0	1				
550	800	0	0	0	0				
610	880	0	0	1	0				
650	945	1	0	0	1				
720	1050	1	0	0	0				
800	1155	1	0	1	0				
900	1305	0	1	0	1				
1000	1450	0	1	0	0				
1060	1530	1	1	0	1				
1100	1595	0	1	1	0				
1170	1700	1	1	0	0				
1290	1870	1	1	1	0				

NOTE: 0 = OFF 1 = ON

Table 1. Cooling/Heat Pump Airflow Settings

		Nominal Air-Flow							
		720	900	1056	1200	1350	1500	1656	1800
Switches	7	1	0	1	0	1	0	1	0
	6	0	0	0	0	1	1	1	1
	5	0	0	1	1	0	0	1	1
80+%	72,000		59	51	44				
	90,000			63	55	49	44		
	96,000			67	59	53	47		
	108,000				67	59	53	48	
	120,000					66	59	54	49
	126,000					69	62	56	51
92+%	80,000			67	59	52	47		
	100,000				73	65	59	53	49
	120,000						71	64	59

Temperature Rise °F (Recommended settings are Bold)

NOTE: 0 = OFF 1 = ON

Table 2. Heating Airflow Settings

WIRING DIAGRAM
For Upflow and Downflow Residential 80+ Furnace
with Variable Speed Blower

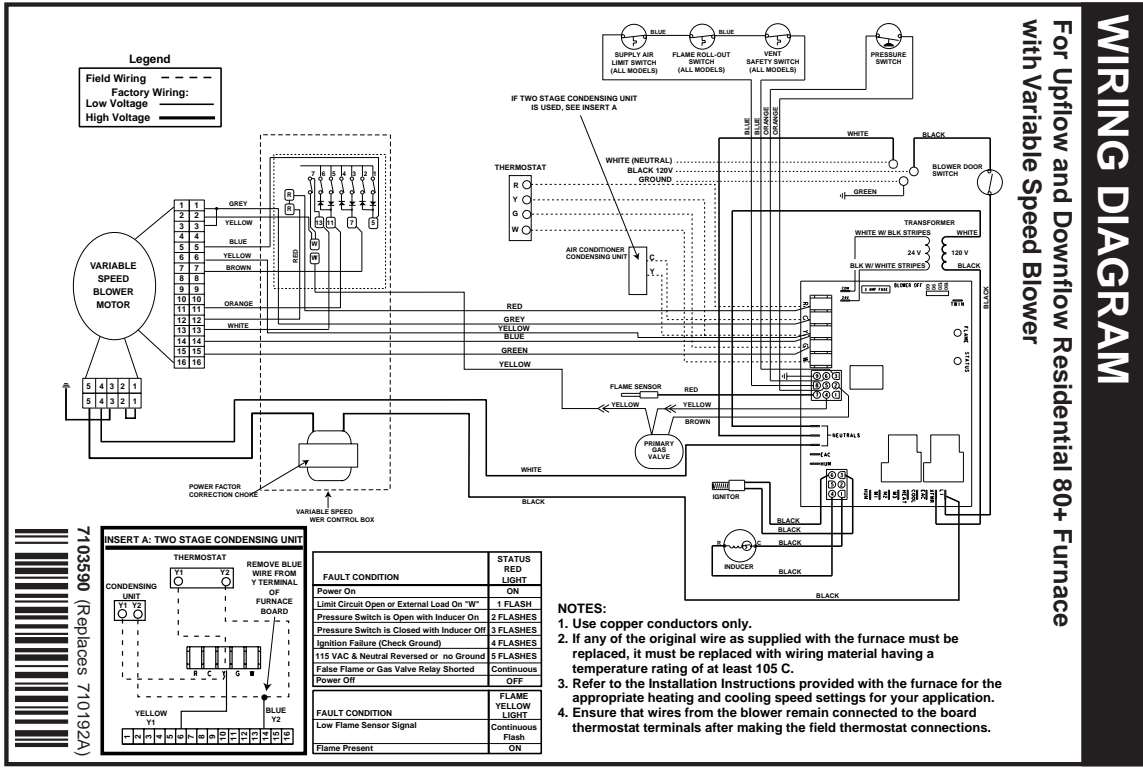


Figure 2. Wiring Diagram for Single-Stage Furnaces with Variable Speed Blower

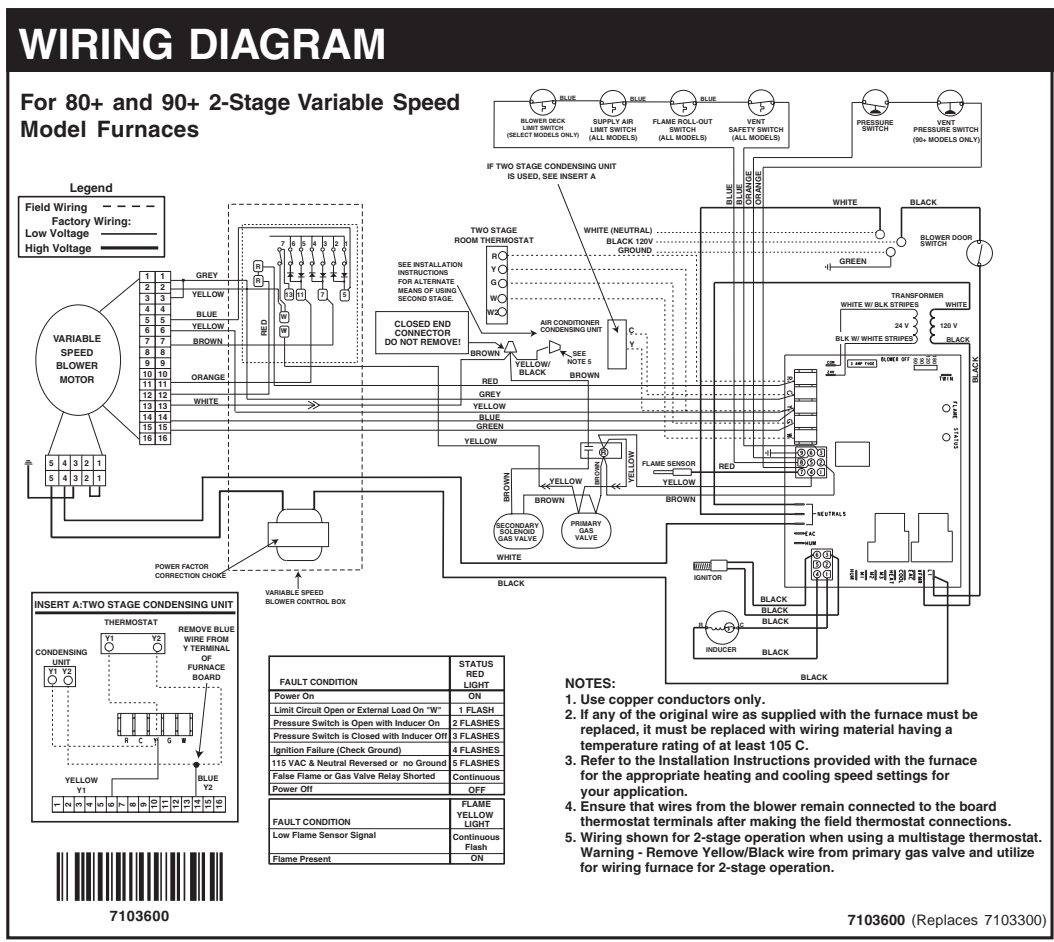


Figure 3. Wiring Diagram for Two-Stage Furnaces with Variable Speed Blower

