

For Cased Coil Models

Installation Instructions

Horizontal Left or Right Conversion Kits

DESCRIPTION

These instructions are primarily intended to assist qualified individuals in the proper installation of this appliance. Some local codes require licensed installation/service personnel for this type of equipment. Read all instructions carefully before starting the installation.

INTRODUCTION

This kit is designed to allow the Cased Coils to be mounted in the horizontal right or the horizontal left position. (Position determined by air flow direction when looking at the front of the unit)

INSTALLATION

NOTE: Before converting the Cased Coil to a horizontal configuration, determine if the installation is a horizontal left or right application. (See Figure 1.) **The kit must be installed before the refrigerant lines have been connected.**

PROCEDURE

- 1) Remove the access door.
- 2) Remove the screw attaching the line set tube close-off plate to the cabinet left front rail.
- 3) Slide the coil straight out of the front of the unit.
- 4) Remove the top knockout located above the two other knockouts on A width coils or the top knockout above the other single knockout on B width coils in both the front and back delta plates of the coil. If the top knockout is not present, use the drill template provided with this kit to locate the appropriate hole in the front and back delta plate. Use the drill size specified on the appropriate template and drill a hole in the front and back plate. (See Figure 2.)
- 5) To place the coil support rod, insert the ends of the rod into the knocked out holes.

NOTE: The side of the coil support rod with the offset bend and crimped tabs should go on the front of the coil and should clear the copper parts of the coil when installed with the drain pan on the next step.

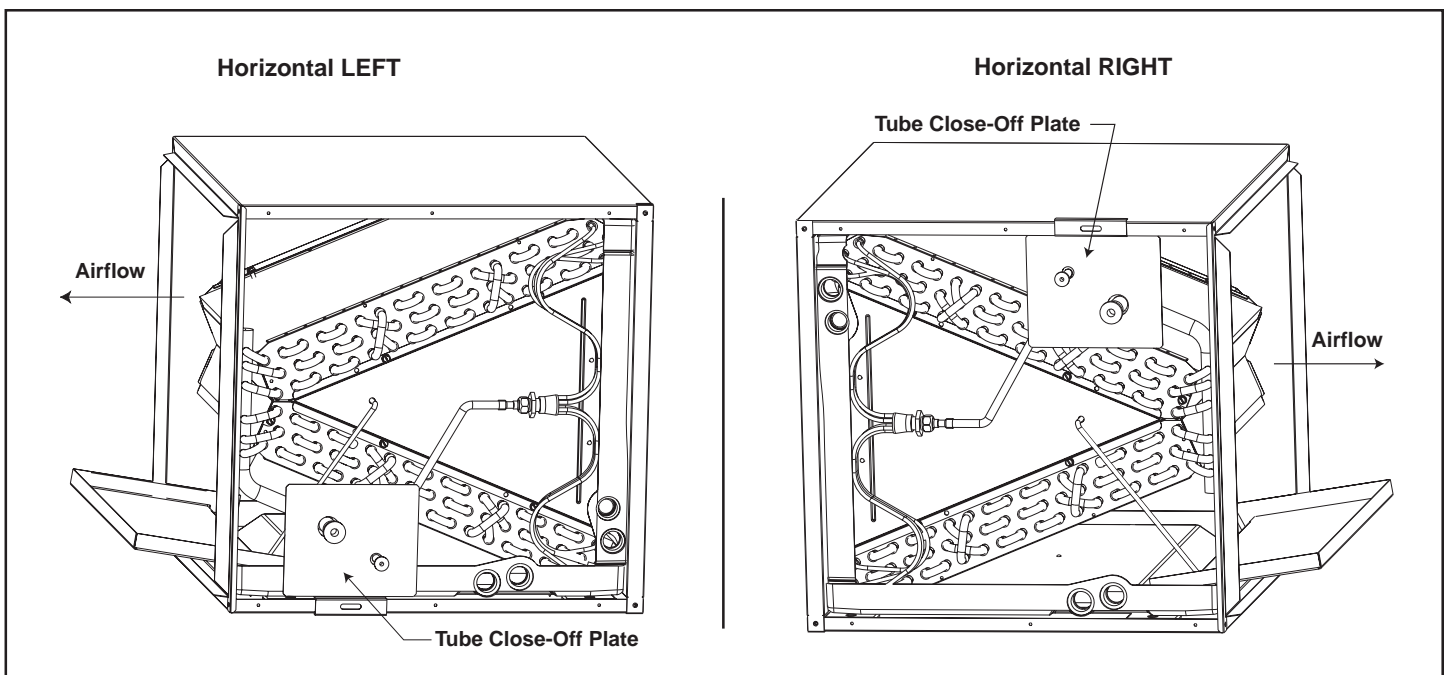


Figure 1

- 6) Attach the horizontal drain pan to the coil as shown (See Figure 3.)
 - 7) Insert the extra plastic plug into the open hole in the bottom drain pan to block bypass air flow.
 - 8) Place the insulation sheet from the kit inside the coil cabinet to support the horizontal drain pan assembly.
 - 9) Slip the bottom flanges of the drain pan extension under the coil support rod in the drain pan. Make sure the side tabs fit inside the drain pan on each side between the drain pan inside wall and the coil support rod. The drain pan extension will be on top of the coil. (See Figure 4.)
 - 10) Slide the coil and the drain pan assembly into the cabinet.
 - 11) After the coil is in the horizontal position, bend the drain pan extension down until it is almost horizontal (See Figure 4.)
- NOTE:** The drain pan extension must be at a slight angle so condensate will drain into the main drain pan.
- 12) Replace the screw attaching the line set tube close-off plate to the cabinet front flange.
 - 13) Replace access door and replace its screws.

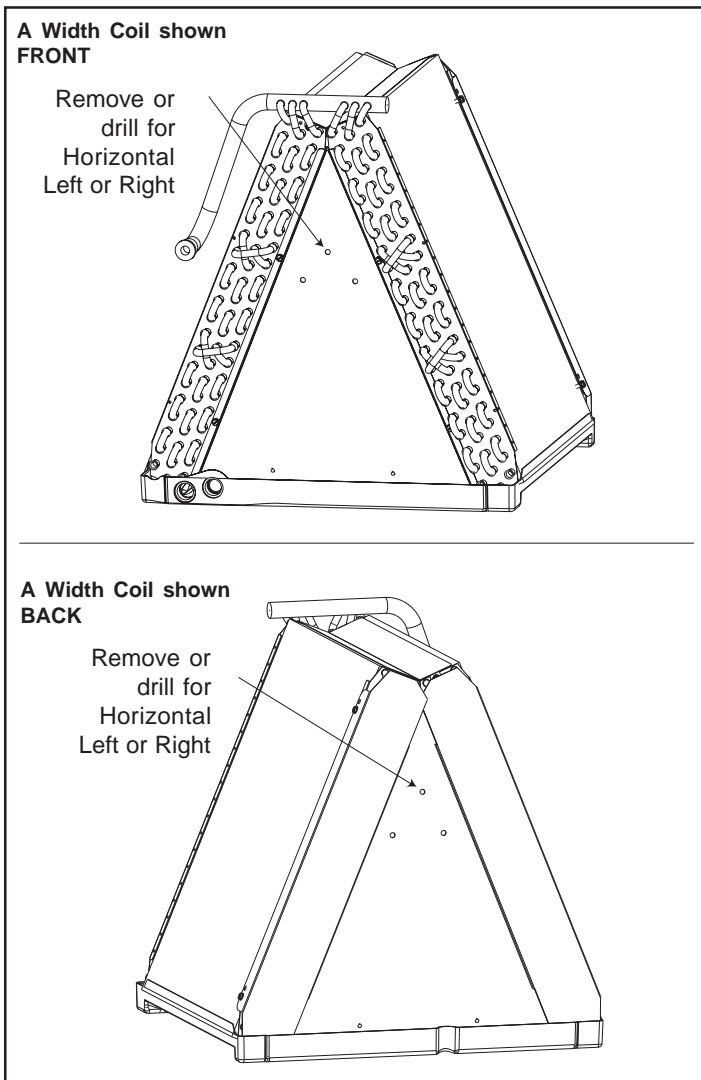


Figure 2

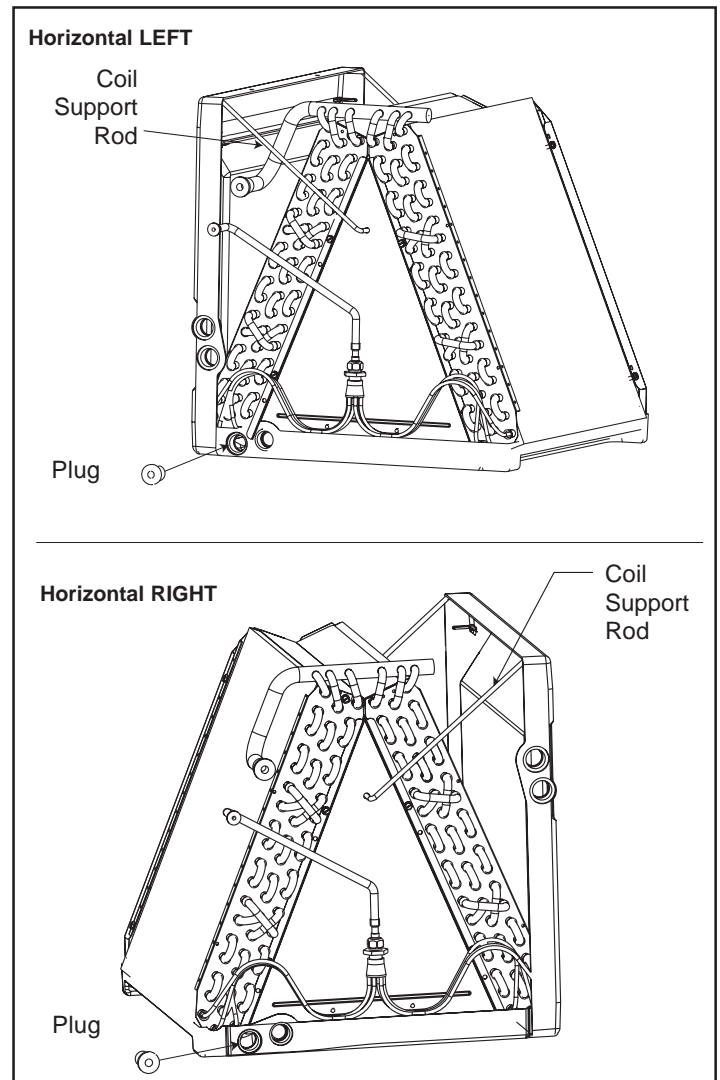


Figure 3

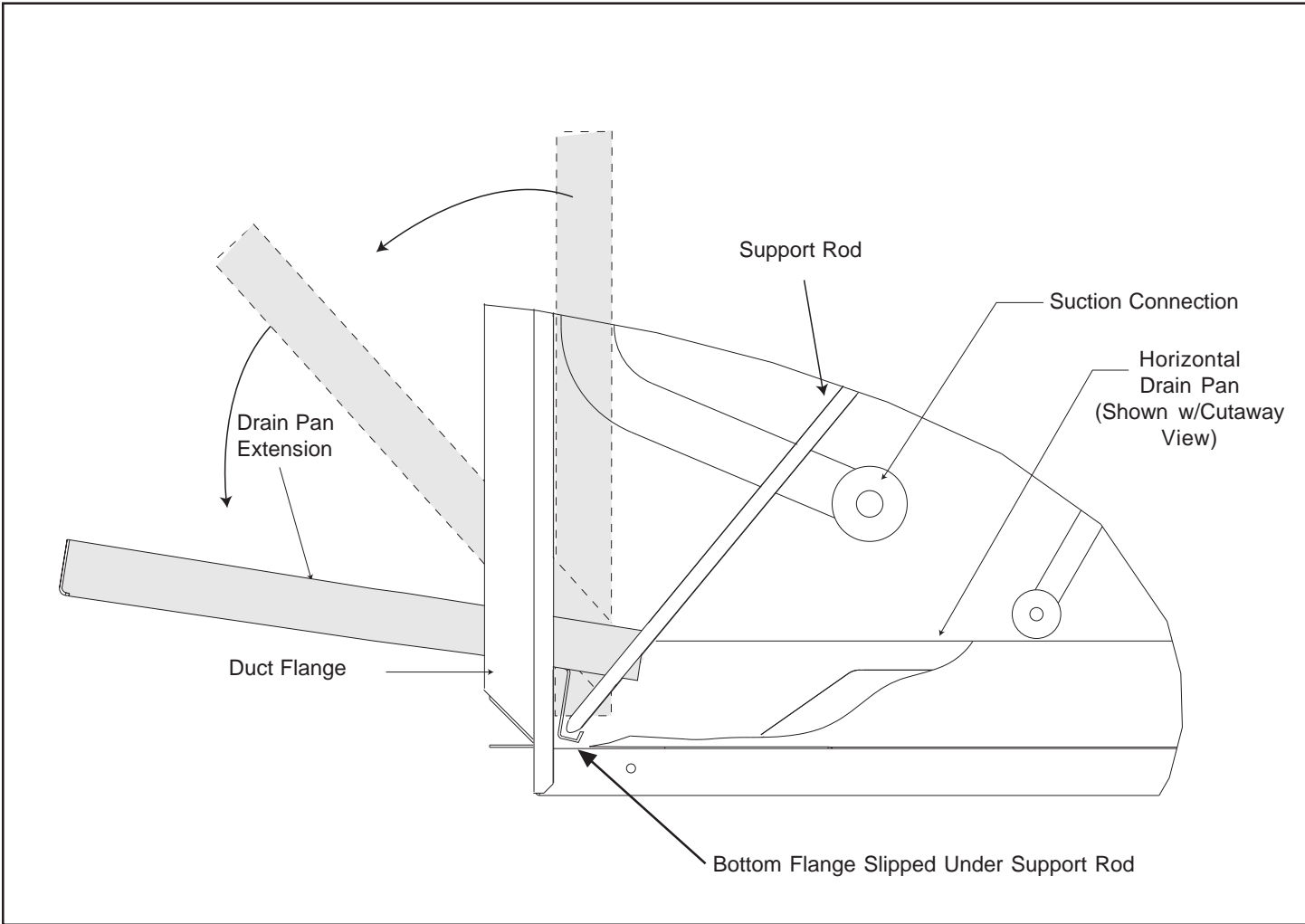


Figure 4.
(Shown for Horizontal Left)



**INSTALLER: PLEASE LEAVE THESE
INSTALLATION INSTRUCTIONS WITH
THE HOMEOWNER**