

Side Return Air Kit (#904003) for M3 / M7 / MG2S Furnaces

INSTALLATION INSTRUCTIONS

IMPORTANT SAFETY INFORMATION

INSTALLER: Please read all instructions thoroughly before servicing this equipment. Pay attention to all safety warnings and any other special notes highlighted in the manual. Safety markings are used frequently throughout this manual to designate a degree or level of seriousness and should not be ignored. **WARNING** - Indicates a potentially hazardous situation that if not avoided, could result in personal injury or death. **CAUTION** - Indicates a potentially hazardous situation that if not avoided, may result in minor or moderate injury or property damage.

WARNING:

Unless noted otherwise in these instructions, only factory authorized parts or accessory kits may be used with this product. Improper installation, service, adjustment, or maintenance may cause explosion, fire, electrical shock or other hazardous conditions which may result in personal injury or property damage

WARNING:

The information listed below must be followed during the installation, service, and operation of this unit. Unqualified individuals should not attempt to interpret these instructions or install this equipment. Failure to follow safety recommendations could result in possible damage to the equipment, serious personal injury or death.

- These instructions are primarily intended to assist qualified individuals experienced in the proper servicing of heating and air conditioning appliances. Some local codes require licensed installation / service personnel for this type equipment. Use of this kit must be in accordance with these instructions and with all applicable national and local codes and standards.
- Use caution when removing components or handling this product. Personal injury can occur from sharp metal edges present in all sheet metal constructed equipment.

ABOUT THE SIDE RETURN AIR KIT

The M3 / M7 / MG2S furnace is designed for return air from the front louvered door. The return air may also be attached to either side of the M3 / M7 / MG2S furnace cabinet using this return air kit.

The M3 / M7 / MG2S side return air kit includes:

- Front door without louvers
- Filter frame (20" x 20")
- Cover for filter entrance
- Filter (20" x 20")

INSTALLATION

1. **IMPORTANT!** Disconnect all electrical power to the unit.
2. Open furnace front door.
3. Peel off the sound insulation from the blower compartment sidewall where the side return air filter will be installed. See Figure 1.
4. Clean glue residue from the blower compartment where the insulation was removed. Naphtha is the recommended solvent for the glue.
5. Draw lines from knockout to knockout outside of furnace side panel. Cut out the panel along the line.
6. Clip the filter frame in the cut out hole and squeeze the filter frame flanges with furnace panel using a proper tool.
7. Connect return air duct to the filter frame and ensure there is no leakage around the connections.
8. Install filter and close filter entrance opening with filter cover.
9. Install new furnace door without louvers.

WARNING:

Never operate the unit without a filter in the return air system. Dust and lint in the return air can build up on the internal components, resulting in a loss of efficiency, equipment damage, and possible fire risk.

10. Restore electric power to the furnace.

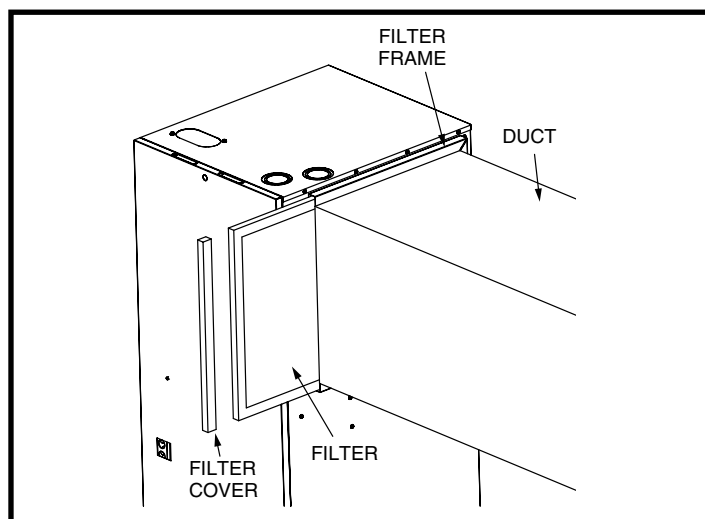


Figure 1. Filter Frame Installation



708170B
(Replaces 708170A)