

# Installation Instructions

## Side Return Air Kit, #904003

---

**⚠ WARNING:**

---

**Installation and service must be performed by a qualified installer, service agency or gas supplier.**

---

The M3 furnace is designed for return air from the front louvered door. However, the M3 furnace may be converted for return air from the right or left side using this return air kit. M3 side return air kit includes:

- Front door without louvers
- Filter frame, 20" x 20"
- Cover for filter entrance
- Filter, 20" x 20"

### INSTALLATION (See Figure)

1. Turn off electric power to the furnace.
2. Open furnace front door
3. Peel off the sound insulation from the blower compartment sidewall where the side return air filter will be installed.

4. Clean glue residue from the blower compartment where the insulation was removed. Naphtha is the recommended solvent for the glue.
5. Draw lines from knockout to knockout outside of furnace side panel. Cut out the panel along the line.
6. Clip the filter frame in the cut out hole and squeeze the filter frame flanges with furnace panel using a proper tool.
7. Connect return air duct to the filter frame and ensure there is no leakage around the connections.
8. Install filter and close filter entrance opening with filter cover.
9. Install new furnace door without louvers.
10. Turn on electric power to the furnace.

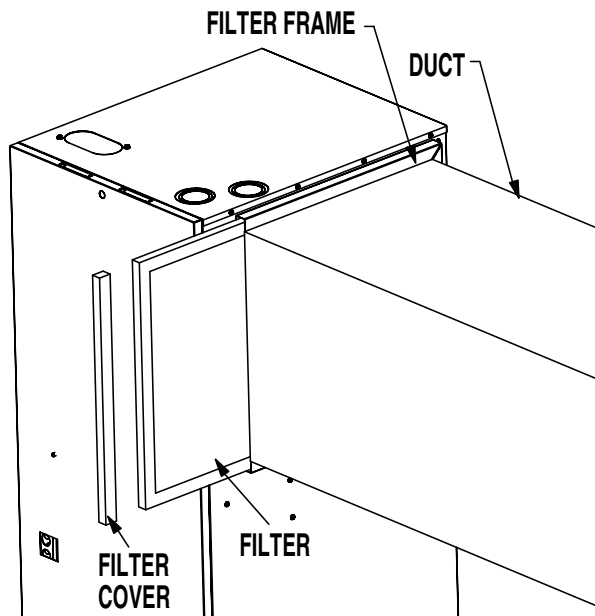
---

**⚠ WARNING:**

---

**Never operate the unit without a filter in the return air system. Dust and lint in the return air can build up on the internal components, resulting in a loss of efficiency, equipment damage, and possible fire risk.**

---



Filter Frame Installation

