

3 Wire Receptacle/Weatherproof While-In-Use Cover Kit

Installation Instructions

P3B(A,C,D) AND Q3B(A,C) Model Series Accessory

PRODUCT DESCRIPTION

Read these instructions thoroughly before starting the installation. Follow all precautions, warnings, and applications within these instructions.

This kit is specifically designed for application on NORDYNE P3B(A,C,D) or Q3B(A,C) Model Series Air Conditioning and Heat Pump equipment. This receptacle is suitable for a branch circuit rated at 40 Amp, 5 H.P. maximum.

This receptacle must be installed with #8 AWG branch circuit wiring and branch circuit overcurrent protection Time Delay Fuse or HACR Type Circuit Breaker rated 40 Ampere.

This receptacle may be used as a disconnecting means per N.E.C. and C.E.C. ONLY when used with NORDYNE Plug and Cord Set, SKU # 903899.

The weatherproof cover is designed to protect the plug and receptacle device in "Wet Locations" for "While-In-Use" requirements, and is NEMA 3R rated.

This kit (receptacle, cover, and metal tag) meets all requirements set forth under N.E.C. Section 550-15 (b) and H.U.D. Section 3280.813 (b) for connection of outdoor heating and/or air conditioning equipment.

**INSTALLER:
PLEASE LEAVE THESE
INSTALLATION INSTRUCTIONS
WITH THE HOMEOWNER.**

APPLICATION

 **WARNING:**

This kit is to be installed by an Electrician or qualified service technician in accordance with these instructions and all codes having jurisdiction. Failure to follow these instructions could result in serious injury, property damage, or death. Unless otherwise noted in these instructions ONLY factory authorized parts may be used when modifying this product.

 **WARNING:**

All electrical wiring must comply with the latest edition of the National Electrical Code (N.E.C.) ANSI/NFPA 70.

 **WARNING:**

RISK OF ELECTRIC SHOCK. Ensure all power to this circuit is OFF before installing. Never wire energized electrical components.

 **CAUTION:**

USE COPPER CONDUCTORS ONLY.

ASSEMBLY AND WIRING INSTRUCTIONS

The cover must be vertically mounted with the hinge located at the top. This kit also includes a gasket to ensure a watertight seal between the back of the cover and smooth mounting surface. Use of additional caulking is recommended on irregular surfaces.

NOTE: See Figure 1 for mounting options prior to wiring the receptacle. Cover and receptacle may be configured differently to meet installation needs.

- 1.) Strip conductors using strip gage on receptacle.
DO NOT TIN CONDUCTORS.
- 2.) Loosen terminal screws. Insert conductors fully into proper terminals per Table 1 and center under terminal screw.
- 3.) **ENSURE THERE ARE NO LOOSE STRANDS.**
- 4.) Tighten terminal screws to 30 lb-in. (3.4 Nm)
- 5.) Mount receptacle and box with screws provided. **NOTE: Ground must be oriented to the top as shown.**

TERMINAL	CONDUCTOR
Green, Gnd, G	Ground (Bare, Green or Green/Yellow)
White, W	Line (White or Gray)
X, Y, Z or Blank (Other than White or Green)	Line (Not White, Not Green)

Table 1.

- 6.) **DO NOT OVER TIGHTEN SCREWS.**
- 7.) Open and close cover lid to ensure proper operation.
- 8.) The metal tag provided with this kit must be permanently affixed to the outside wall adjacent to the receptacle cover box. Attach the metal tag with screws provided or other equivalent means.

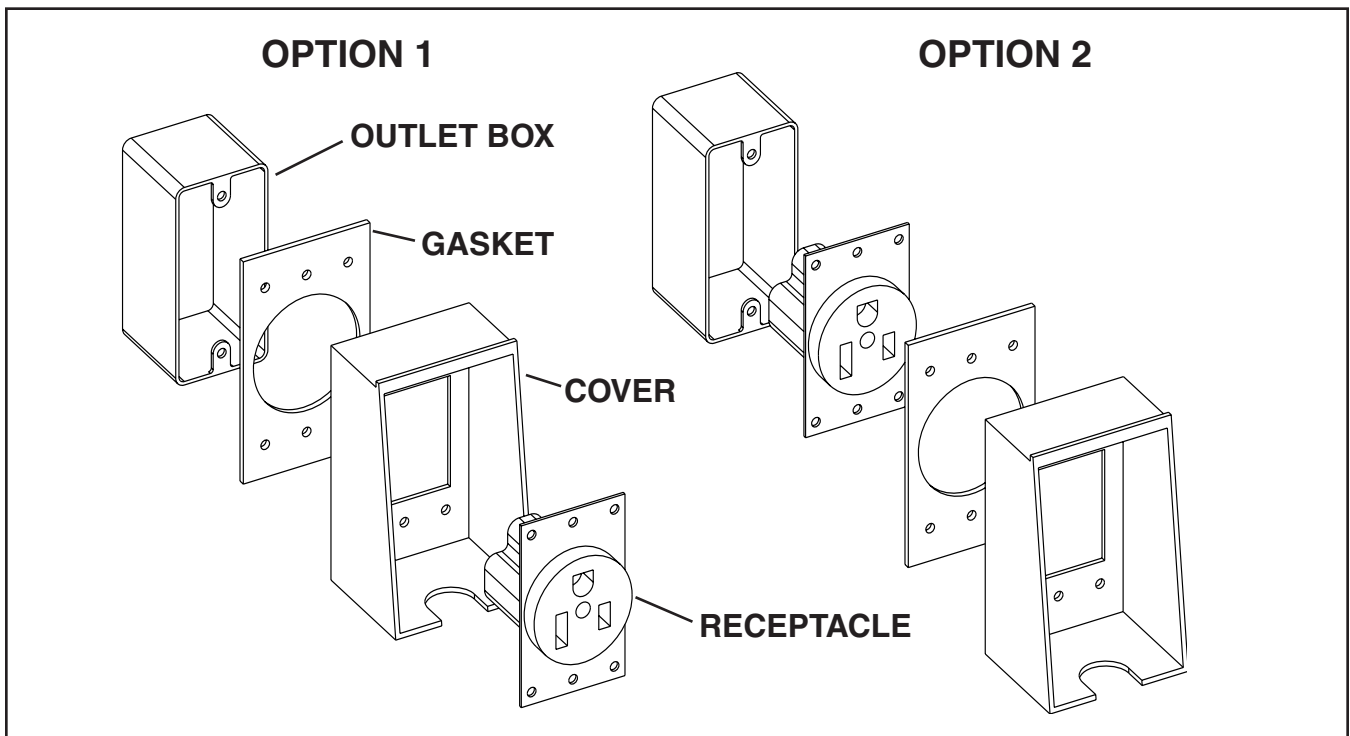


Figure 1. Mounting Options

