

# INSTALLATION INSTRUCTIONS

## Horizontal Left or Right Conversion Kit

### DESCRIPTION

These instructions are primarily intended to assist qualified individuals in the proper installation of this appliance. Some local codes require licensed installation/service personnel for this type of equipment. Read all instructions carefully before starting the installation.

### INTRODUCTION

This kit is designed to allow the conversion of Air Handlers to horizontal left or right.

**NOTE:** Before converting the Air Handler for a horizontal application you must determine if the installation is a horizontal left or right (position determined by air flow direction when looking at front of unit). **The kit must be installed before the refrigerant lines have been connected.**

### PROCEDURE FOR AIR HANDLERS

1. Remove the access doors.
2. Remove the screw attaching the line set Tube Close-Off Plate to the cabinet left front side rail.
3. Slide the coil straight out of the front of the unit. Remove the sheet metal hairpin tube covers (if supplied) from the rear of the coil for horizontal right application.

4. For coils with 1 knockout, remove the knockout located on the front and back coil spacing plates. For coils with two sets of knockouts, remove the knockouts that are on the side of the coil in which the horizontal drain pan will be on. (See Figure 1.)

5. Place the Coil Support Rod by inserting the ends of the rod into the knocked out holes.

**NOTE:** The side of the coil support rod with the offset bend and crimped tabs, should go on the front of the coil and should clear the copper parts of the coil when installed with the drain pan on the next step.

6. Insert the extra plug located in the kit into the open & unused hole in the drain pan at the bottom of the unit to block bypass air. (See Figure 2.)

7. Attach the Horizontal Drain Pan to the coil as shown. (See Figure 2.)

8. Lay the air handler on its side.

9. Slide the coil and horizontal drain pan assembly into the cabinet.

10. Replace the screw attaching the line set Tube Close Off Plate to the cabinet front left side rail.

11. Replace the access doors.

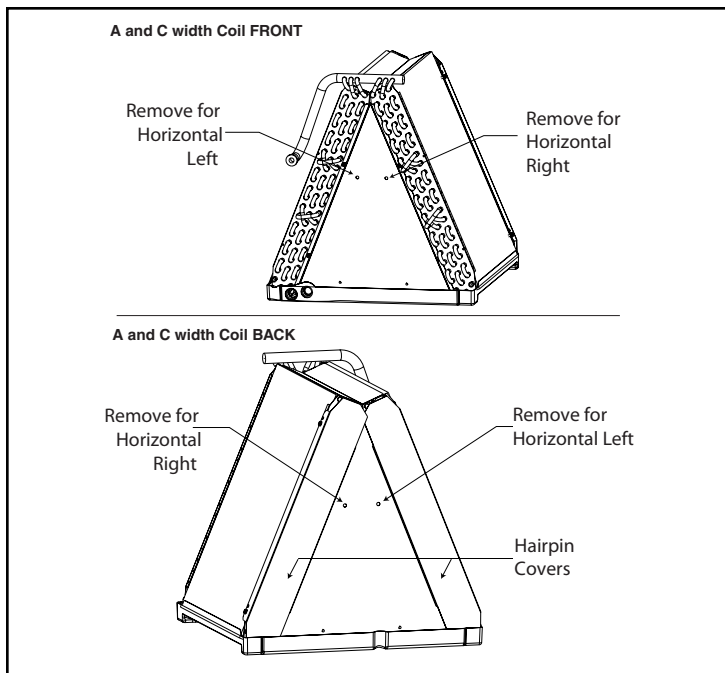


Figure 1

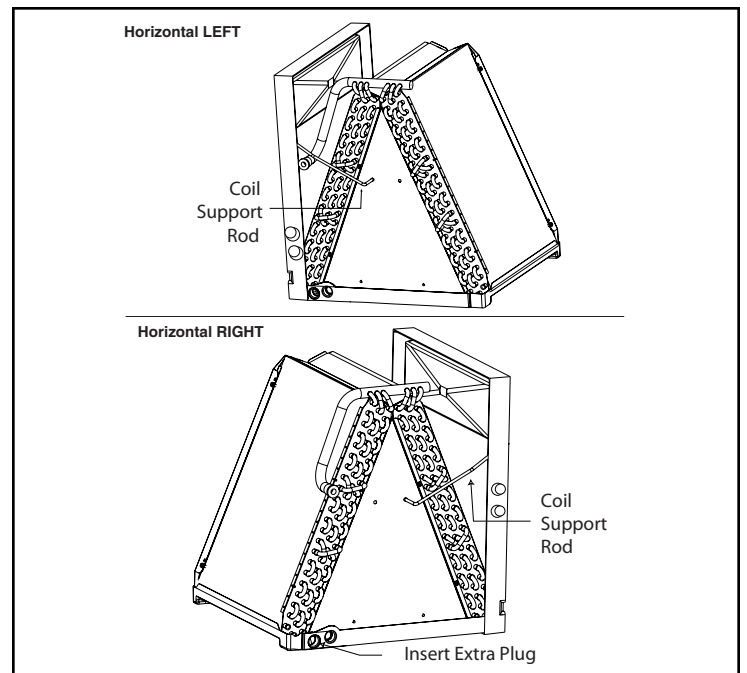


Figure 2

**INSTALLER: PLEASE LEAVE THESE INSTALLATION  
INSTRUCTIONS WITH THE HOMEOWNER**

