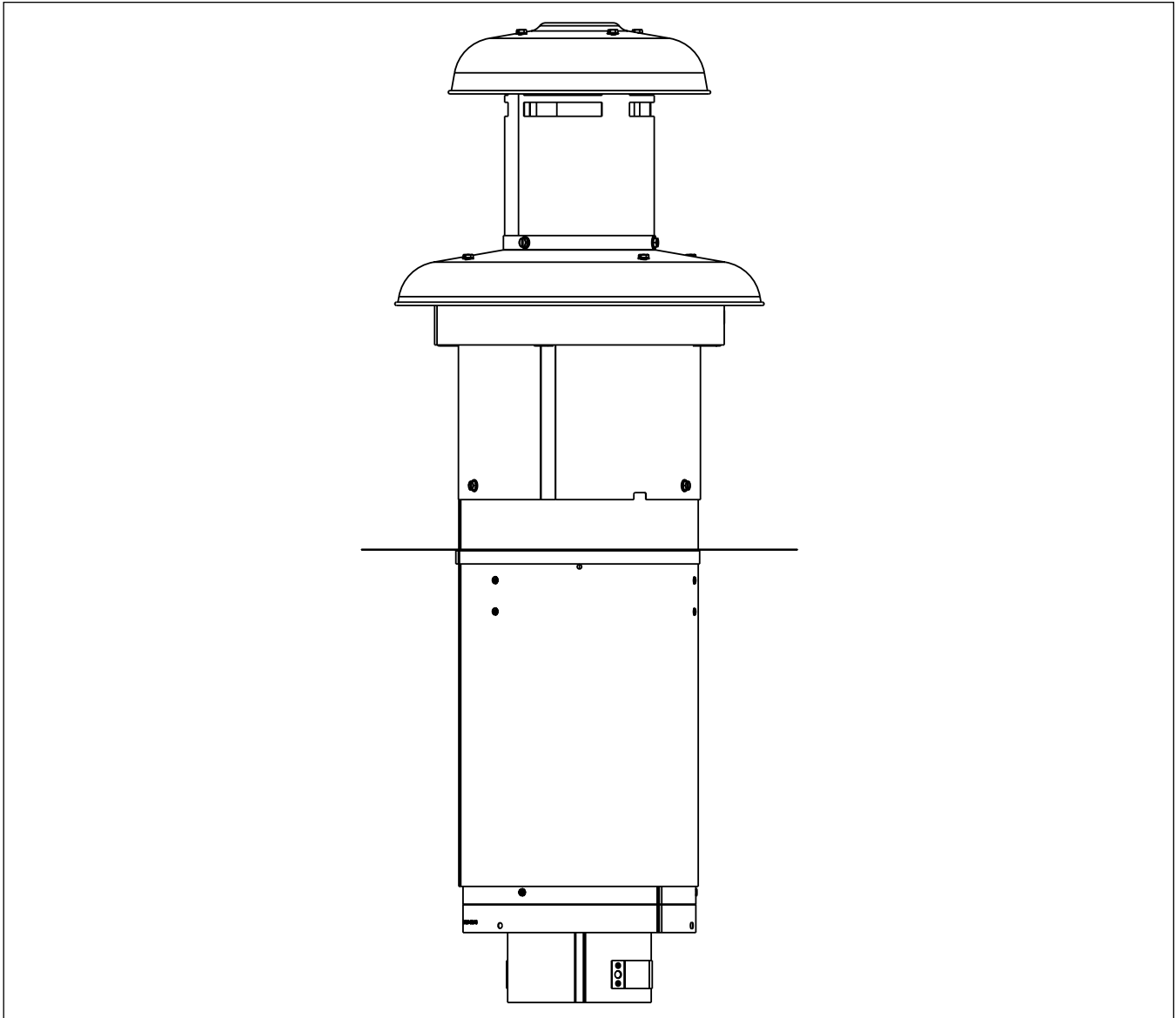


## All Weather Roof Jack Kit

# Installation Instructions

Model Series MG, MB, MS, MM, and M1 Furnaces



These instructions are primarily intended to assist qualified individuals experienced in the proper installation of heating and/or air conditioning appliances. Some local codes require licensed installation/service personnel for this type of equipment. Read all instructions carefully before starting the installation.

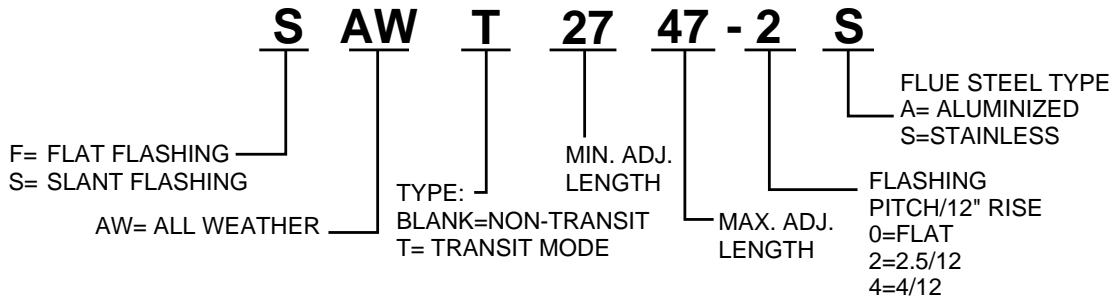
**NOTE: Installation must be made in accordance with H.U.D Manufactured Home Construction And Safety Standard (TITLE 24. PART 3280); For Canada, the following installations apply: CSA B139; Installation Code for Oil burning equipment (CSA B139 requires**

**the usage of stainless steel flue assemblies for Oil burning equipment). CAN/CGA B149.1-M86 Natural Gas Code. CAN/CGA B149.2-M86 Propane Gas Code.**

### SELECTING THE ROOF JACK

1. Determine the depth of the ceiling cavity from the center of the roof opening to the top of the furnace (see dimension "A" in Figure 1).
2. Add dimensions "A" and "X" from Table 1 and Fig. 2 if slant deck flashing is used.
3. Select the appropriate Roof Jack from Table 2.

## MODEL NUMBER KEY



## CAUTION:

Any attempt to operate furnace before replacing the transit-mode weather cap with the upper roof jack section may result in hazard of fire, explosion or asphyxiation.

### INSTALLING THE ROOF JACK

1. RECOMMENDED ROOF CUT-OUT FOR ROOF JACK. The recommended roof cut-out is depicted in Figure 5.
2. APPLY CAULKING TO ROOF FLASHING. Apply caulking compound on the underside of the roof flashing to form a continuous strip about 1 1/2" wide around the underside of the perimeter of the flashing.

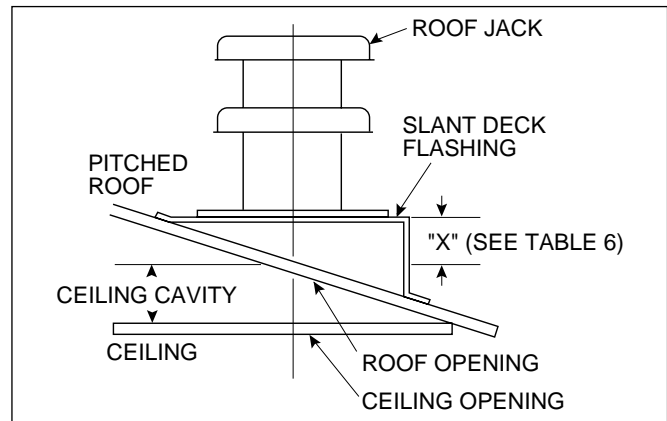


Figure 2.

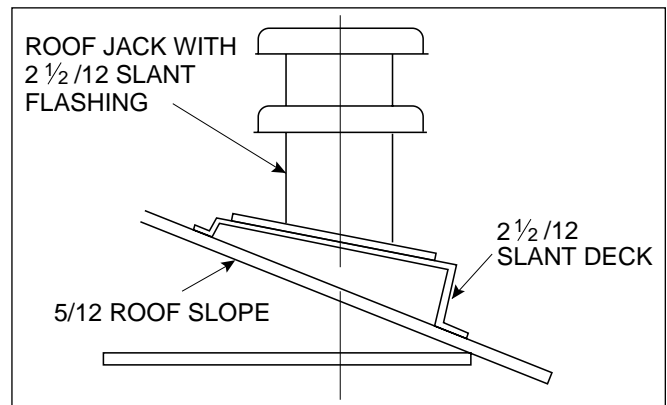


Figure 3.

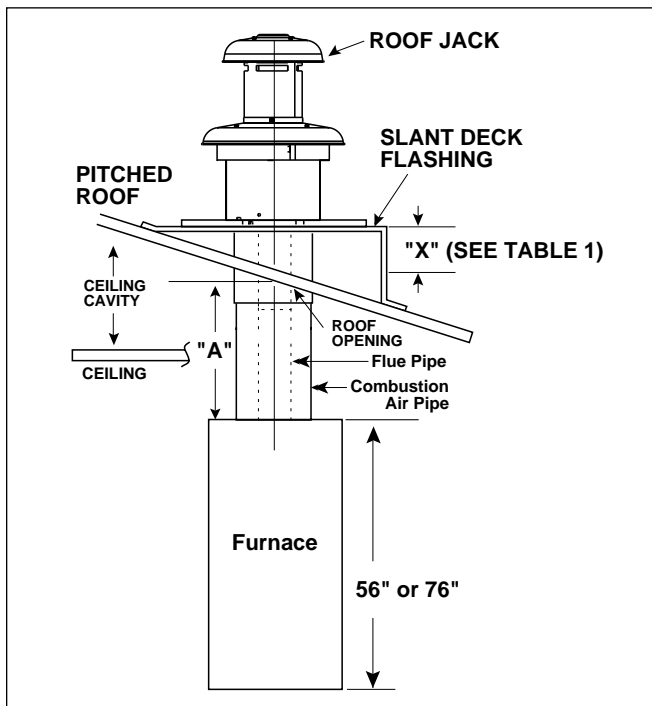


Figure 1.

IF PITCH IS:	FLASHING NO.	"X" FACTOR IS:
2.5" x 12"	903893	2.5"
3" x 12"	903894	3.0"
4" x 12"	903895	4.0"

Table 1. Optional Slant Deck Flashings

Flue Material	Length Min. - Max.	Transit Mode			Fixed Mode		
		Roof Flashing Pitch			Roof Flashing Pitch		
		FLAT	2.5" / 12"	4" / 12"	FLAT	2.5" / 12"	4" / 12"
Galvanized	15" - 23"				X		
	21" - 35"		X		X	X	
	27" - 47"	X	X	X	X	X	X
	35" - 63"		X	X		X	X
	51" - 95"		X	X			X
430 S.S.	15" - 23"				X		
	21" - 35"				X	X	
	27" - 47"	X	X				
	35" - 63"					X	
	51" - 95"		X	X			X

**Table 2. Telescoping Roof Jack Assemblies**

3. **CONNECT ROOF JACK ASSEMBLY TO FURNACE.** Insert the telescoping Roof Jack assembly through the opening cut in the roof. Engage the flue pipe and the flue collar of the furnace. Connect the combustion air pipe to the furnace collar with a sheet metal screw. The connection of the combustion air pipe to the furnace should be made before the flashing is secured to the roof to maintain alignment to the roof jack and the furnace connections, see Figure 4.

4. **ATTACH ROOF FLASHING.** If necessary, shift the roof flashing slightly in the roof opening so that the assembly is in good alignment with the furnace. Press down firmly over the caulking on the roof flashing to make the seal watertight with the roof. Secure the flashing with appropriate fasteners.

As an added protection against leaks, coat the flashing plate and fasteners with roof compound.

Each slant flashing will flex through the range shown:

Flashing	Range
2.5/12	1/12 - 4/12
4/12	3/12 - 5/12

**! CAUTION:**

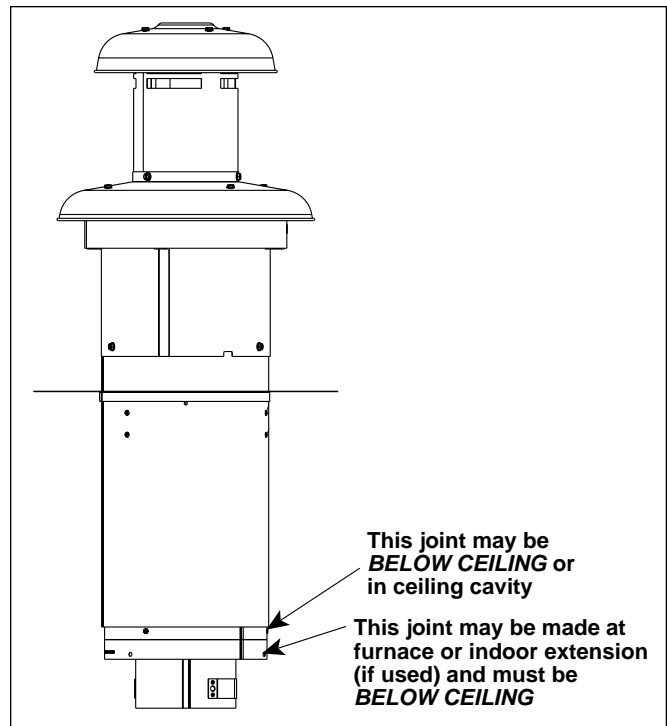
**Do not extend Roof Jack beyond recommended extension length in Table 2 unless a listed extension is used.**

**INSTALLATION OF TRANSIT-MODE VENTING SYSTEM**

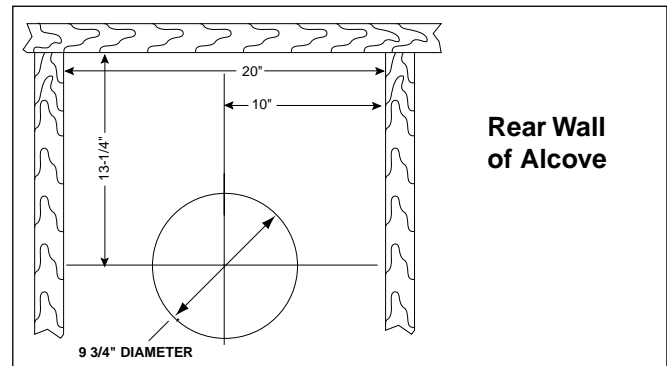
**Requirements:**

These instructions pertain to the installation of the transit-mode venting system only and are intended for use by qualified individuals experienced in the proper installation of home heating appliances. Installation of venting systems other than those described in these instructions shall be in accordance with the installation manual supplied with furnace.

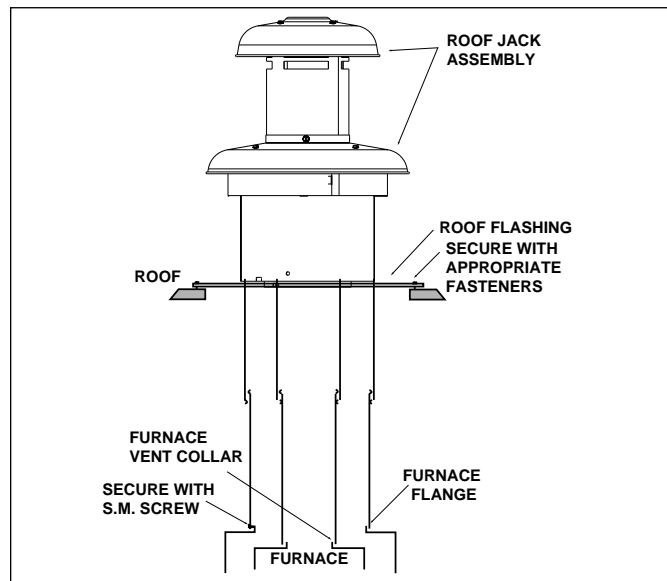
A 10" interior extension kit is available to extend the roof jack connection pipes. Extension joints must be visible below ceiling.



**Figure 4.**



**Figure 5.**



**Figure 6.**

### Manufactured Home Factory

1. Furnace must be installed per furnace installation instructions.
2. Roof Jack to be selected from Page 2 of these instructions.
3. Roof Jack (less upper Roof Jack crown), with weather cap to be installed as described on Figure 7 of these instructions.
4. Upper Roof Jack crown to be stored in a prominent location inside the manufactured home until on-site installation.
5. The four warning tags supplied must be installed as follows:
  - To weathercap
  - To fuel line connection point (Gas) or furnace burner (Oil)
  - To furnace fire door (Gas) or furnace door (Oil)
  - To furnace wall thermostat

### Manufactured Home Site

1. Transit-mode weather cap must be removed and the upper Roof Jack crown installed per Figures 7 and 8. Set aside the three screws removed with the cap for use when securing the Roof Jack crown.
2. Venting system warning tags must be removed and discarded.
3. Place the upper Roof Jack crown onto the flue pipe assembly. (See Figure 8.) The flue collar of the transit cap must fit over the flue pipe of the flue assembly. Outer combustion air pipe of the Roof Jack crown must fit over the outer sleeve of the flue assembly. Slide assemblies together. Observe that the roof crown inner pipes are fully engaged or the outer pipe bottoms out against the rear of the roof flashing on slant roof applications. Secure in place using the 3, #10 x 1/2" sheet metal screws removed in step #1. **Do not use the same holes which secured the rain cap in place.**

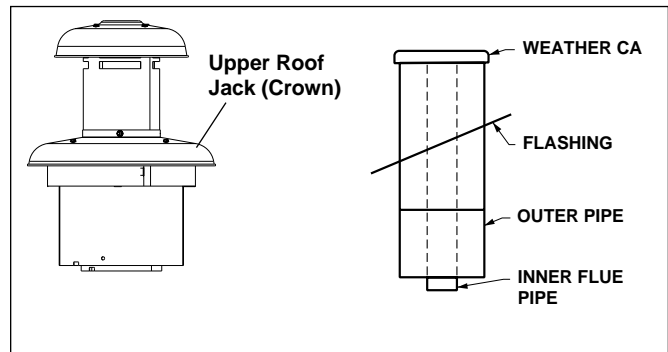


Figure 7.

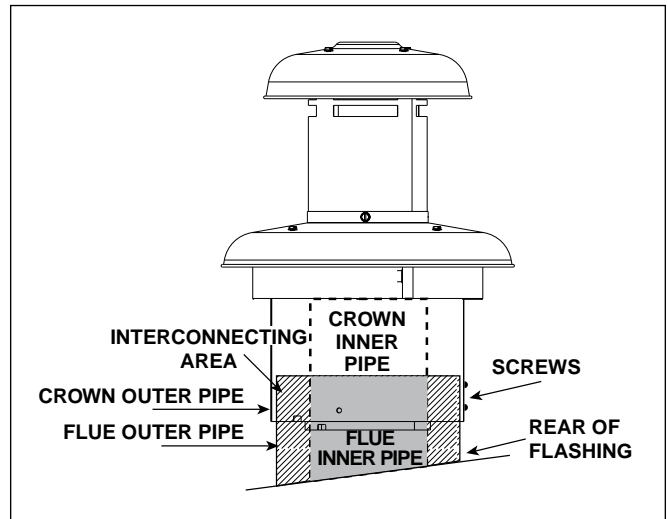


Figure 8.

**INSTALLER:  
PLEASE LEAVE THESE  
INSTALLATION  
INSTRUCTIONS WITH THE  
HOMEOWNER.**

