

# Installation Instructions

## E2 Blower Baffle Kit

### Description

Installation of Blower Baffle for E2 Electric Furnace

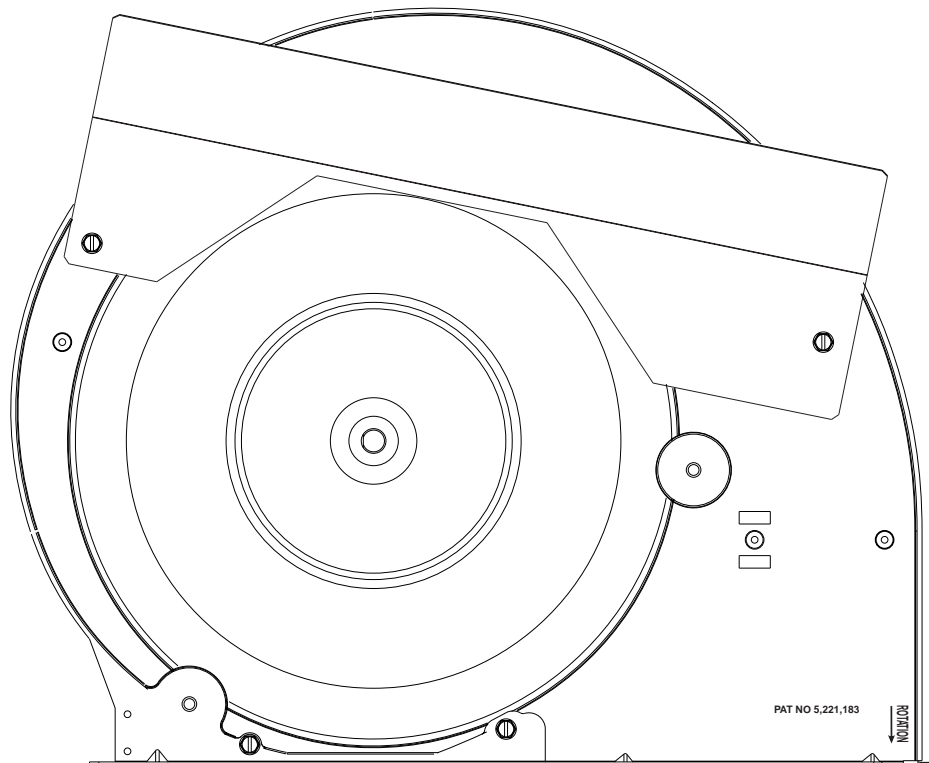
These instructions are primarily intended to assist qualified individuals experienced in the proper installation of heating and/or air conditioning appliances. Some local codes require licensed installation/service personnel for this type equipment. All installations must be in accordance with these instructions and with all applicable national and local codes and standards.

### **! WARNING:**

To avoid the risk of electric shock, personal injury, or death, disconnect all electrical power to the unit before performing any maintenance or service. The unit may have more than one power supply.

Read these instructions thoroughly before starting the installation. Follow all precautions and warnings contained within these instructions and on the unit.

1. Turn power off to the E2 furnace.
2. Unplug the 6-pin amp plug from the blower to the control panel.
3. Remove the blower from the furnace.
4. Locate baffle on the side opposite the motor.
5. Use the two screws supplied to mount the baffle to the blower (See drawing).
6. Replace the blower in the furnace.
7. Plug the 6-pin plug into the control panel.
8. Restore power to the unit.



7078140

