

# INSTALLATION INSTRUCTIONS

## G6 Internal Side Return Filter Retainer

Filter retainer may be used for internal left or right side return air filters. Drill two, 1/8" holes in the rear panel of the furnace at the locations shown for either right side or left side return.

Install the ends of the filter retainer in holes as shown below for right side return (opposite for left side return). The front of the retainer snaps behind the front vertical flange in the cabinet side.

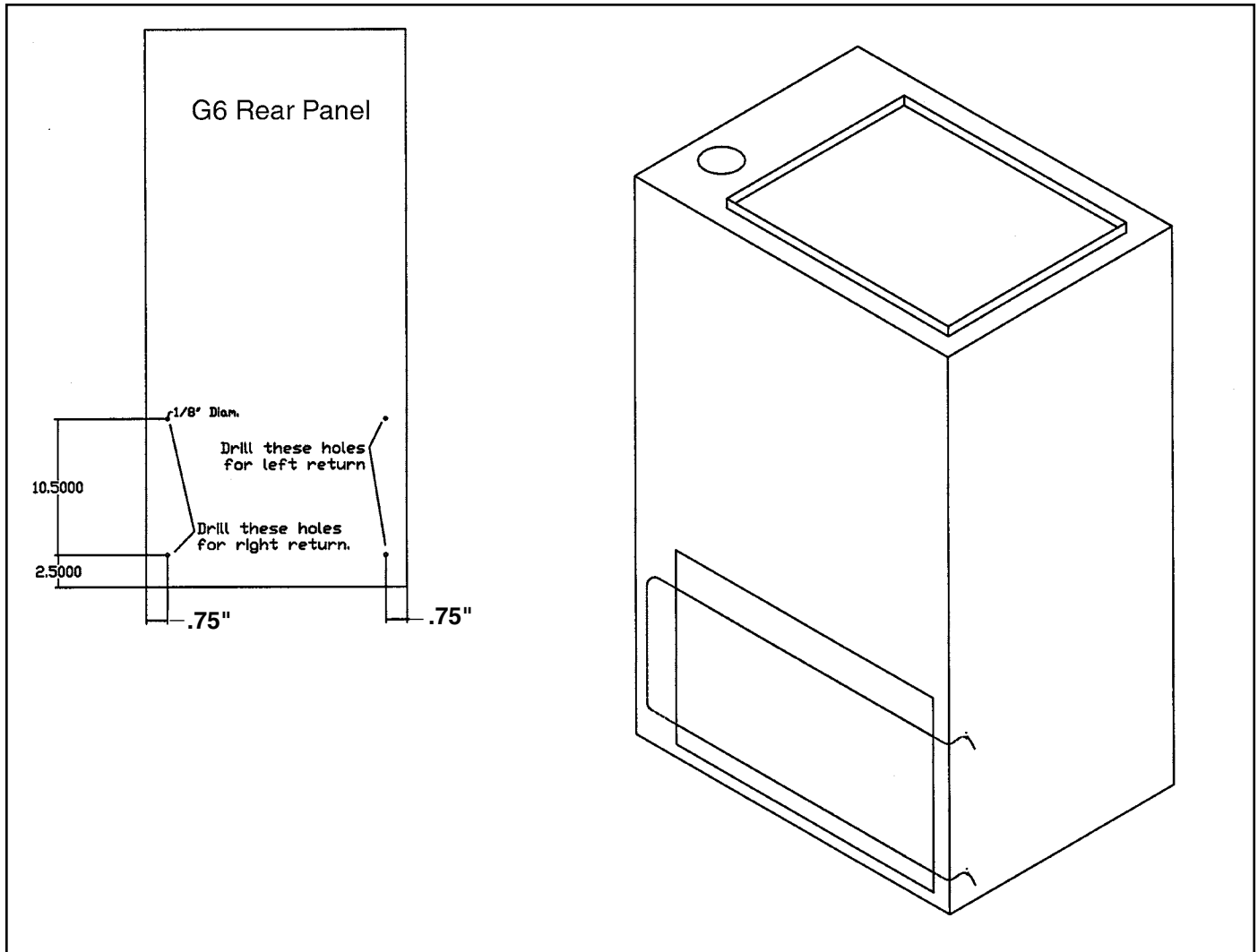


Figure 1.

