

E2 Upflow Stand Kit

Installation Instructions

For E2EH or E2EB Models

DESCRIPTION

This return air stand is designed for upflow installations with non-ducted return air.

The stand is factory equipped with one filter and an access door for monthly filter replacement.

IMPORTANT: The upflow return air stand **MUST** have two filters in place to filter properly. The second filter should be removed from the furnace and placed in the stand immediately after complete system installation and before operating furnace blower.

Review the furnace installation instructions for specific details on return air, filtering systems, and installation requirements before proceeding.

Typical Installation of Upflow Systems

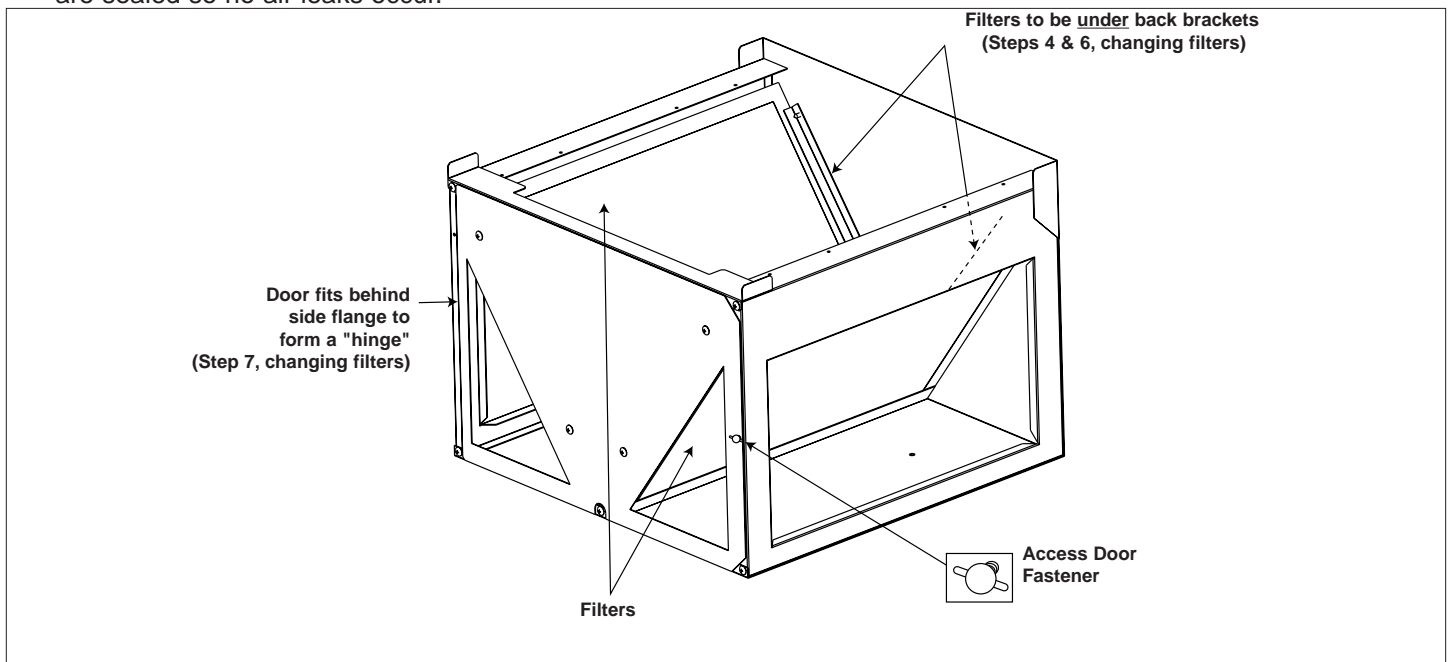
1. Before installing this stand, consider all clearances for the installation and future servicing of the furnace. Also consider accessibility of filters for monthly replacement by homeowner. Refer to furnace installation instructions for further information.
2. Position upflow return air stand and secure to floor with four or more fasteners at holes provided.
3. Position coil cabinet on stand and secure with three or more fasteners. If using NORDYNE's optional coil cabinet, refer to coil cabinet installation instructions for further details.
4. Ensure the surfaces between the stand and coil box are sealed so no air leaks occur.

5. Position furnace onto coil cabinet in upflow mode and secure with two or more fasteners. Again, if using NORDYNE's optional coil cabinet, refer to coil cabinet installation instructions for further details.
6. Use optional upflow duct connector or field supplied connector to attach furnace to overhead supply duct.

Changing Filters

Filters should be replaced monthly, or if reusable filters are installed, they should be cleaned monthly.

1. Unscrew the filter box access door fastener (see Figure 1). Set aside for future use.
2. Remove access door.
3. Slide the right side filter out and then the left side filter. Discard both filters.
4. Insert new filter on the left side first. Ensure the back edge of the filter is underneath the back bracket. (See Figure 1.)
5. After inserting left filter into box, rest the filter bottom upon the support tab on the center rail. This will hold the left filter in place while inserting the right filter.
6. Insert new filter on the right side next. Ensure the back edge of the filter is underneath the back bracket. (See Figure 1.)
7. Replace access door. The left side of the door should hinge with left side of box, and then the right side should be secured with fastener removed in step 1. (See Figure 1.)



7076280 (Replaces 7076030)

Specifications and illustrations subject to change without notice and without incurring obligations. Printed in U.S.A. (06/97)