

Ventilation Switch Kit

Installation Instructions

For E2 Series Electric Furnaces and M Series Gas/Oil Furnaces

APPLICATION

This kit is designed for use with NORDYNE electric and gas/oil furnaces that are installed with a two wire thermostat but not installed with an air conditioner or heat pump. The kit allows the homeowner to obtain continuous air circulation from the furnace blower without opening the furnace door.

⚠ DANGER:
Shut off electrical supply to the furnace at the household breaker box to prevent electrical shock which could cause personal injury.

⚠ WARNING:
Improper installation may damage equipment, can create a hazard, and will void the warranty.

INSTALLATION

1. Shut off all power to the furnace. For electric furnaces, switch the circuit breaker(s) to the OFF position (see Figure 1).
2. Disconnect the blower plug from the furnace control panel.

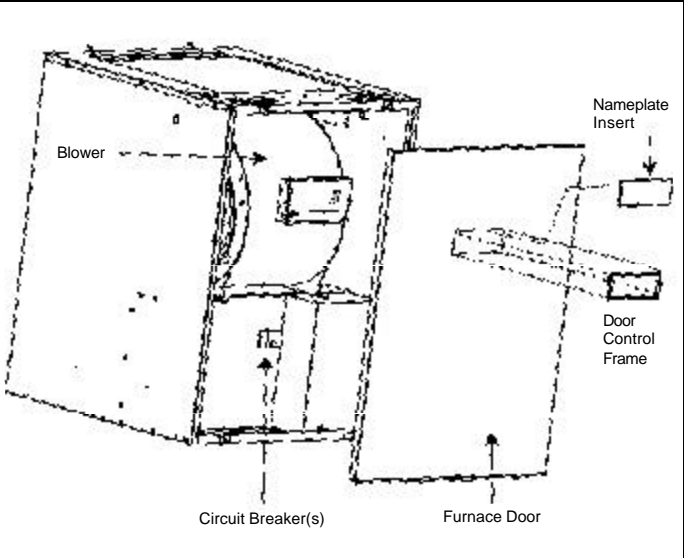


Figure 1. E2 Series Electric Furnace

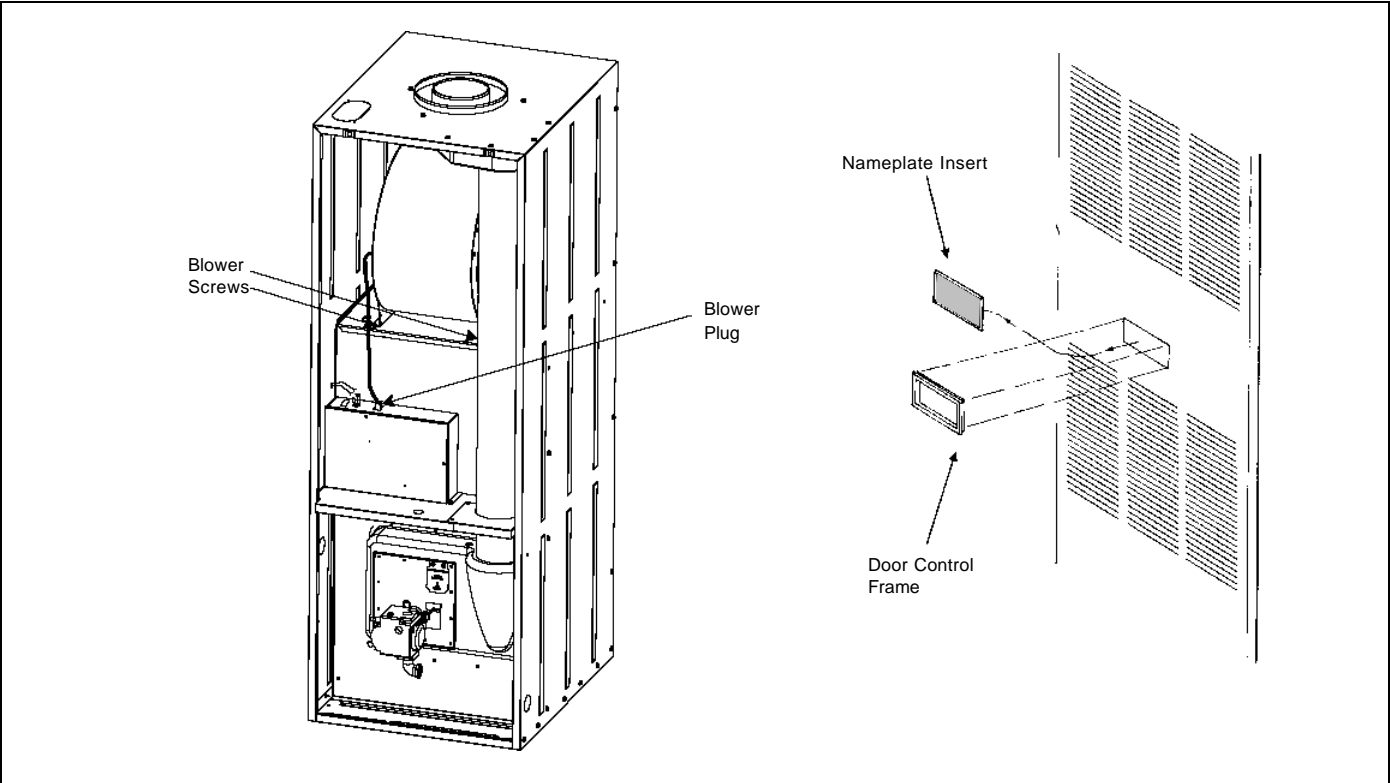


Figure 2. M Series Gas/Oil Furnace

3. Select either the electric or gas/oil wiring harness from the extra parts package by inspecting the furnace blower plug and choosing the harness that possesses the mating plug (see Figure 3).

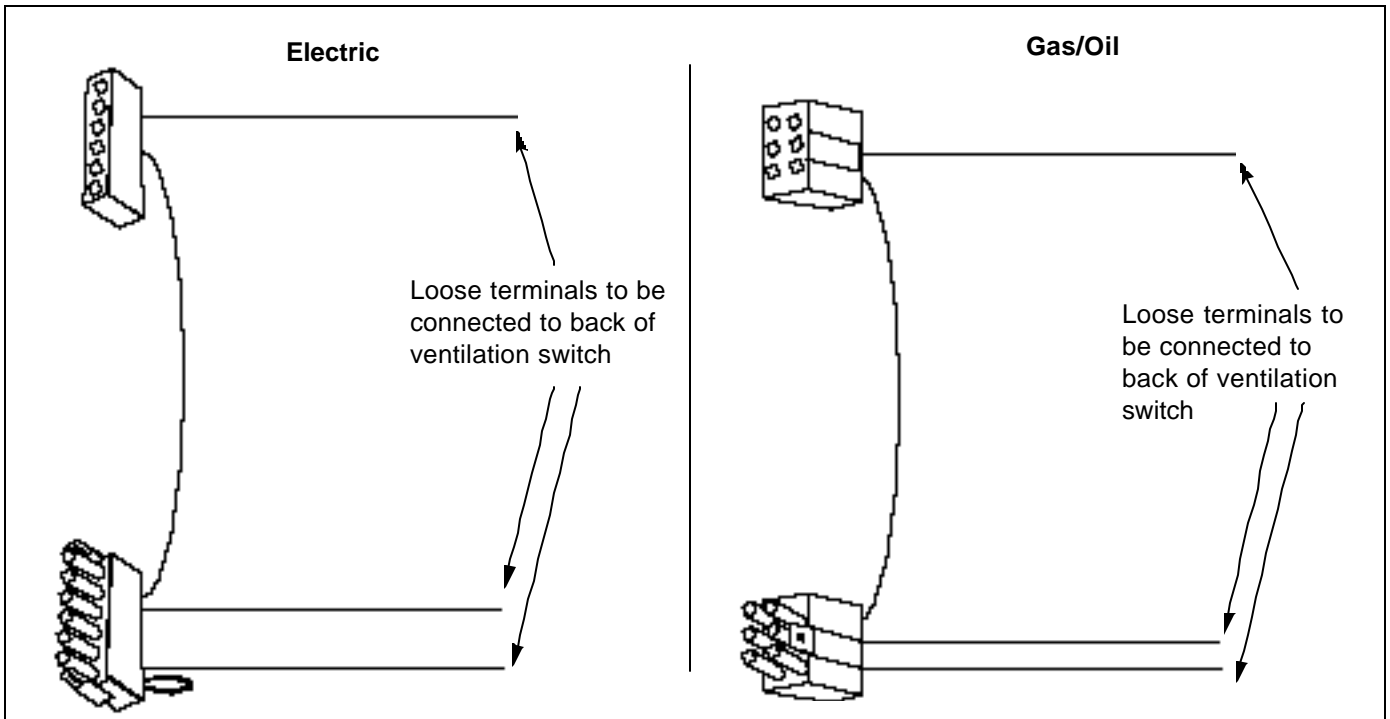


Figure 3. Wiring Harness

4. Connect the loose terminals on the wiring harness to the back of the switch that sticks through the back of the sheet metal box (see Figure 4).

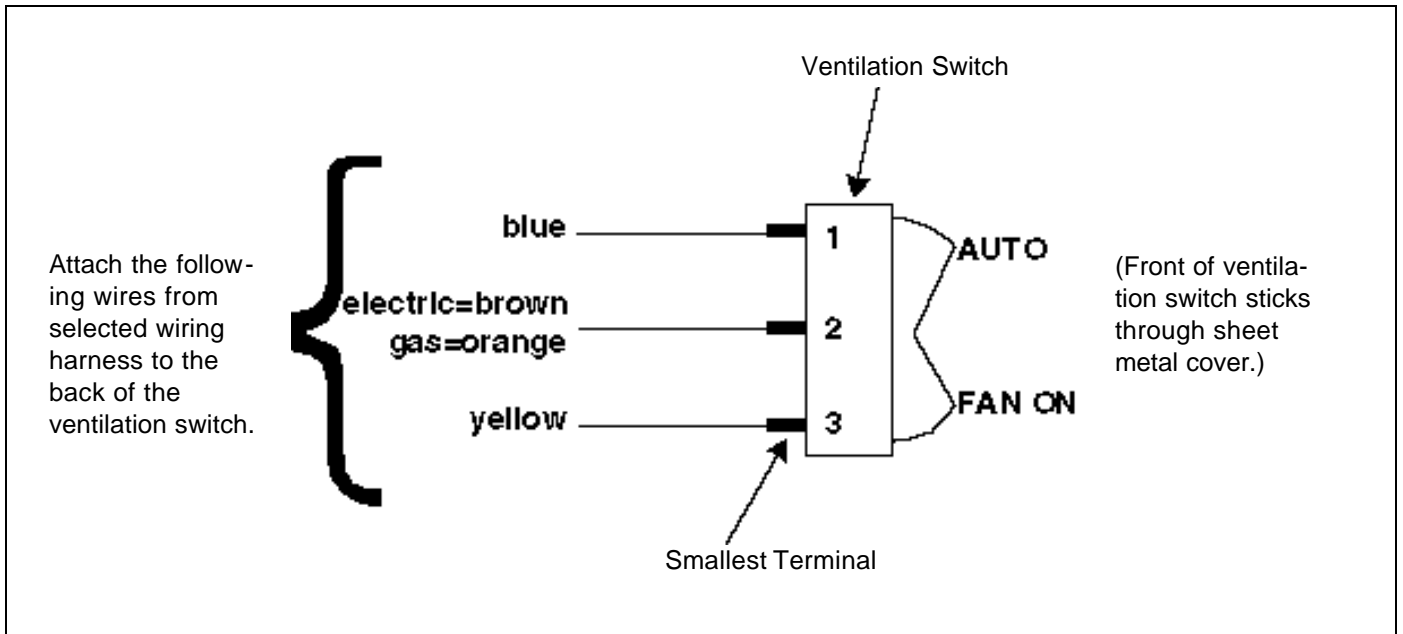


Figure 4. Switch Connection

- For E2 electric furnaces, attach the foam "standoff" to the bottom corner on the back side of the sheet metal box opposite the side where the bracket is attached (see Figure 5). This "standoff" will prevent

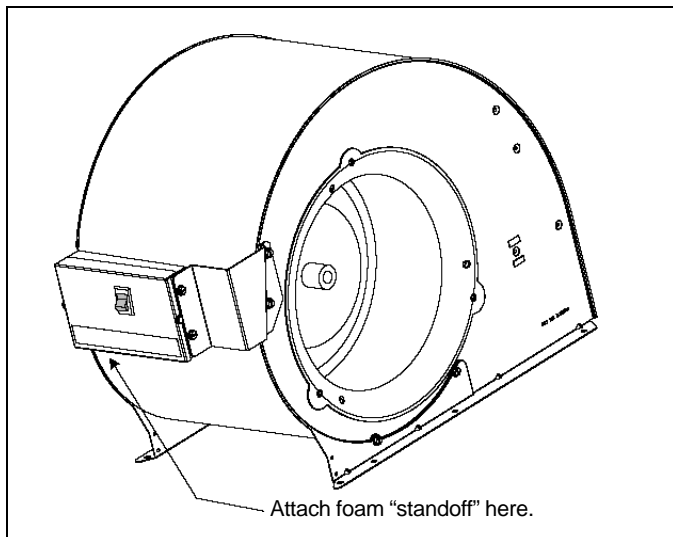


Figure 5. Foam "Standoff" for Electric Furnace

movement of the switch box when the homeowner moves the switch.

- Attach the appropriate brackets to the sheet metal box and secure assembly to blower (see Figure 6). **NOTE:** The blower may need to be pulled out of the furnace slightly in order to secure the brackets.
- Connect the blower plug to the wiring harness and connect the other plug on the wiring harness to the control panel where the blower plug was removed.
- Bunch excess wire from wiring harness together and secure with a wire tie to keep away from blower.
- Remove the nameplate insert from furnace door and replace it with the door control frame provided in the extra parts package (see Figure 1 or 2).
- Attach the appropriate brand label supplied in the extra parts package to the sheet metal switch cover so that it may be seen through the door control frame in the furnace door when it is replaced.

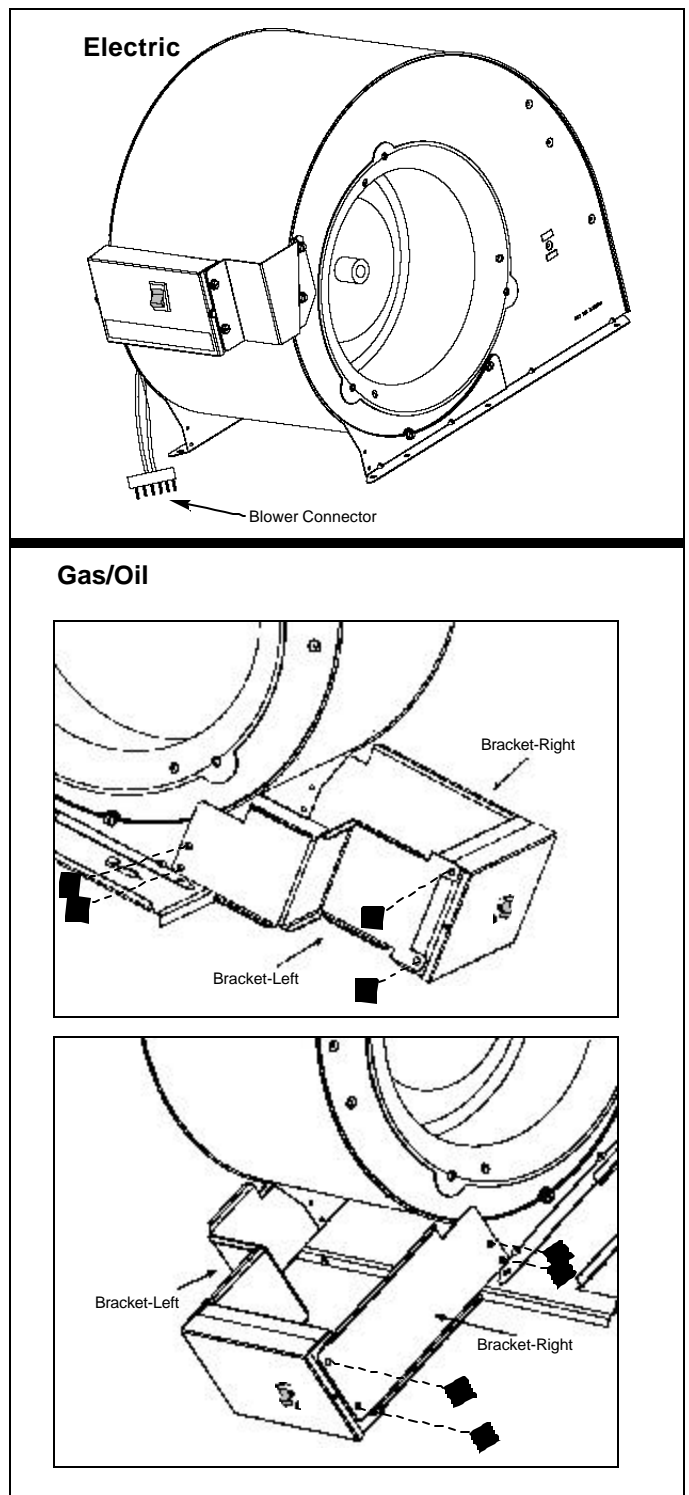


Figure 6. Ventilation Switch Box Attachment



St. Louis, MO

NORDYNE

707586A (Replaces 7075860)

Specifications and illustrations subject to change
without notice and without incurring obligations.
Printed in U.S.A. (04/97)