

**Adapter Kit for VentilAire™ to
FE/E(-) Upflow or Downflow Cabinet and for B Series Air Handler**

Installation Instructions

Use for Adapting VentilAire III and IV to FE / E(-) Series Electric Furnace with Upflow Coil/Filter Cabinet or the Upflow/Downflow Coil Cabinet.

May Also be Used for Adapting VentilAire III and IV to the B Series Air Handler.

Description

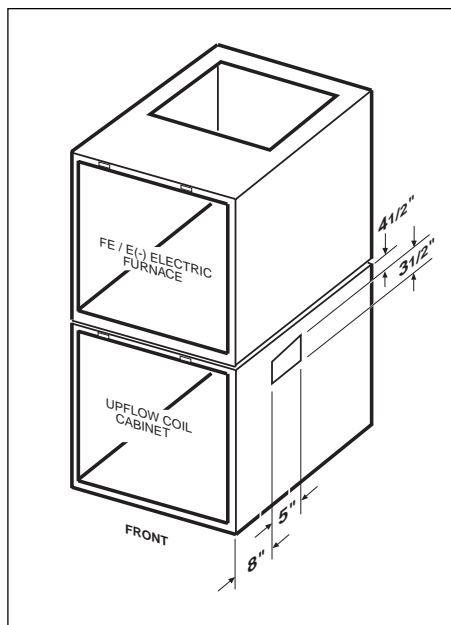
This adaptor provides an airflow conduit into the inlet side of the coil box, furnace or air handler to provide fresh air into the home. It must be used in conjunction with the installation of either a VentilAire III or IV.

Installation - FE / E(-) Furnace

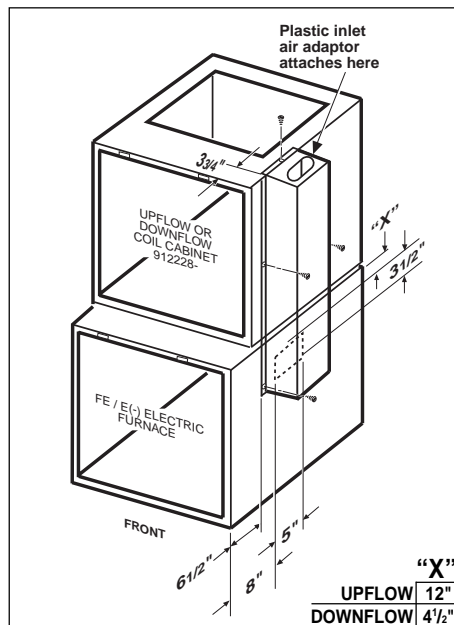
1. The duct adaptor can be attached to either side of the furnace/coil cabinet. If the coil box or furnace does not have the appropriate 3 1/2" W x 5" L knockout in the side, it must be added as shown in Figure 1 and 2. Use sheet metal snips to cut a 3 1/2" x 5" opening in the side.
2. Remove the 3 1/2" W x 5" L knockout from the side of the coil cabinet or furnace where the VentilAire duct will enter.

3. Remove the front door from both the furnace and the coil box. Both furnace and coil box should be even with each other on the back and side where the duct will be attached.
4. For coil cabinet application use a pencil and tape measure, mark a small line 7 1/4" (3 3/4" for 912228-application) back from the front top edge of the top pan. Drop down about 34 inches and mark a second line 6 1/2" back from the front side of the cabinet (See Figures 2 and 3).
5. Be sure both sides of the cabinet are clean and free of oil or dirt to assure a firm attachment of the duct.
6. The duct can now be attached to the side of the furnace coil box. If your duct has 2-sided tape applied to the flanges, carefully peel off the outer side. The tape will hold the

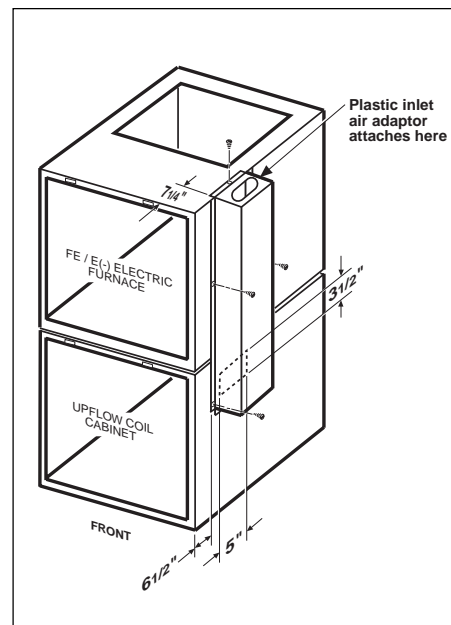
- duct to the side of the cabinet. Align duct top flange along the 7 1/4" penciled line for coil cabinet installation or (3 3/4" penciled line for 912228- installations), then push the remaining length of duct onto the cabinet placing the side flange along the 6 1/2" penciled line. Attach one #10 sheet metal screw provided through the top flange hole into the cabinet or furnace top pan. Attach 3 more #10 screws into the 3 remaining flange holes securing the duct in place. The other 2 remaining screws will be used to attach the plastic inlet air adaptor from the VentilAire III or IV to the top of the duct.
7. After securing the duct, see VentilAire III or IV instructions to complete the system installation. Be sure both doors are put back on the furnace and coil box.



**Figure 1. Upflow Installation with
912229- Coil Cabinet.**



**Figure 2. Upflow or Downflow Installation
with 912228- Coil Cabinet.**



**Figure 3. Upflow Installation with 912229-
Coil / Filter Cabinet.**

Installation - Air Handler

1. The duct adaptor can be attached to either side of the air handler in either the upflow or downflow configuration. If the air handler does not have the appropriate 31/2" W x 5" L knockout in the side it must be added as shown in Figure 4 below. Use sheet metal snips to cut a 31/2" W x 5" L opening in the side corresponding to the dimensions shown in Figure 4 below.
2. Remove the 31/2" W x 5" L knockout from the side of the cabinet where the VentilAire duct will be attached.
3. Be sure to wipe clean the side of the cabinet where the VentilAire duct will attach.
4. The VentilAire duct can now be attached to the side of the air handler by locating the top flange 91/2" from the

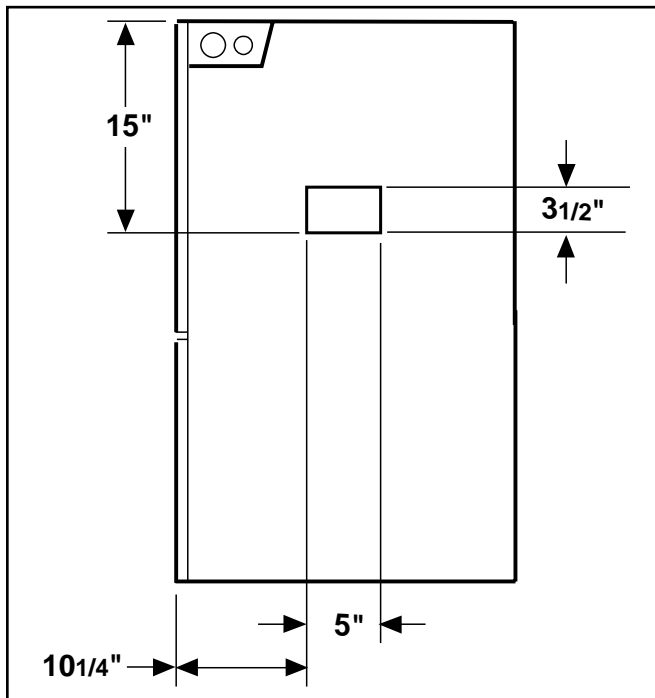


Figure 4. Common 31/2 x 5 Location for Upflow or Downflow Cabinet.

- front of the cabinet and the side flange 83/4" from the front of the cabinet. For downflow applications the duct would still mount in the upright position as shown but the 31/2" W x 5" L knockout opening will be 15" above the bottom of the cabinet, as the unit will then be upside down. Attach one of the #10 sheet metal screws provided through the top flange hole and into the cabinet. Attach three more #10 screws into the three remaining flange holes as shown in Figure 5. The other two screws will be used to attach the plastic inlet air adaptor from the VentilAire III or IV at the top of the duct.
5. After securing the duct, see the VentilAire III or IV instructions to complete the system installation. Be sure all doors are in place before operating.

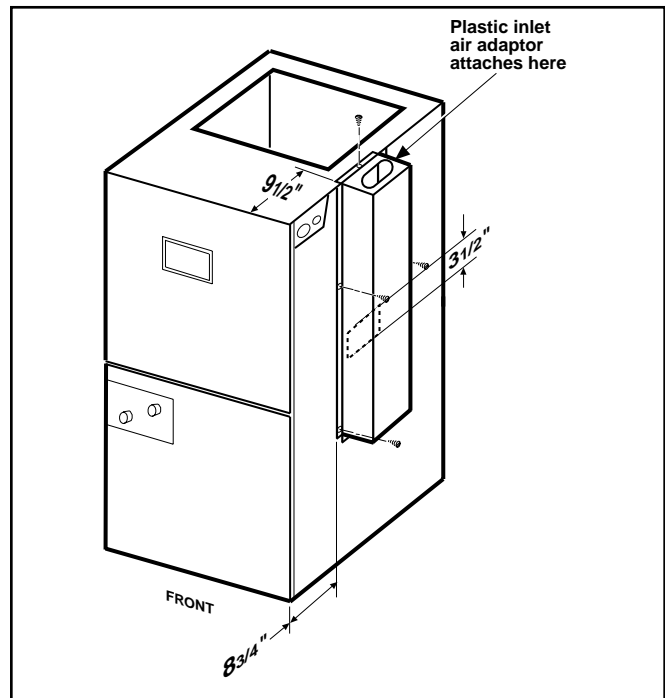


Figure 5. Upflow Shown.

