

Upflow Coil/Filter Cabinet

Installation Instructions

For Use with CME, FE-A and E1 Series Electric Furnaces
With Models AA-, ME-, PA- and C- Series "A" Coils
Cabinet P/N 912229

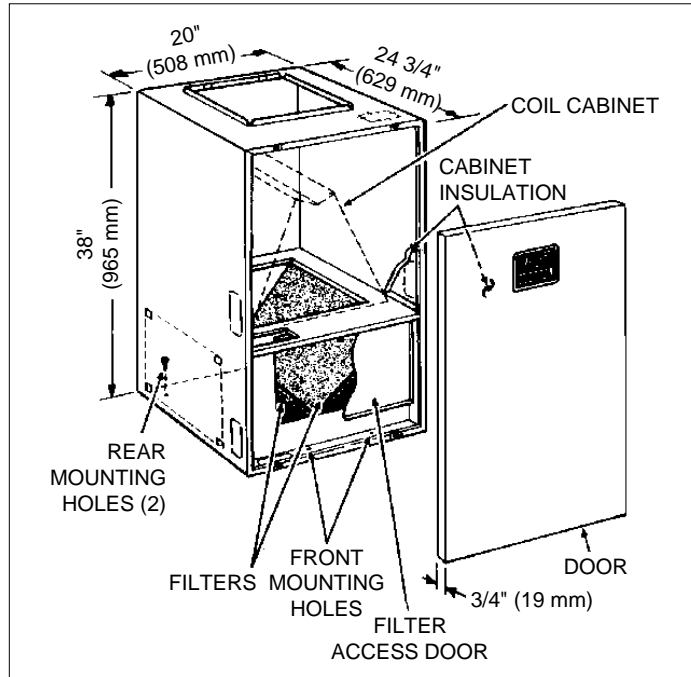


Figure 1. Upflow Coil Cabinet

INTRODUCTION

This coil cabinet is designed for upflow installations only.

The cabinet is provided with two permanent washable filters, refrigerant line close-off plates, coil hold-down bracket and is factory assembled and insulated. Side or bottom return air provisions and multiple refrigerant and drain line access knockouts are provided to allow flexibility of installations.

The following steps are necessary to clean these washable filters:

1. Shut off furnace.
2. Remove the coil cabinet door.
3. Unlatch the filter access door. Turn the bottom fastener counter clockwise 1/4 turn. A screwdriver or coin may be inserted in the slot on the fastener to aid in turning it.
4. Remove the filter access door and remove the filters.
5. Wash the filters with water and a mild detergent.
6. After both filters are dry, replace one filter to the left and then one to the right.

7. Replace the filter door. Slide the top flange inside the opening. Turn the fastener clockwise 1/4 turn. Replace the coil cabinet door.
8. Turn on furnace.

INSTALLATION REQUIREMENTS

1. This coil cabinet is intended for installation below the furnace.
2. For manufactured home or structure installations the coil cabinet must be secured to the supporting structure to avoid movement during transport.
3. The furnace must be secured to the top of the coil cabinet.
4. For through-the-floor return air installations and refrigerant line routing the air openings must be sealed to prevent exchange of air between floors. Refer to the furnace Installation Instructions for details about this type of installation.
5. For non-ducted return air systems, provide the minimum recommended free return air area as outlined in the Installation Instructions supplied with the furnace.
6. Coil air filters are not used with this type of installation, REMOVE ANY AIR FILTERS SUPPLIED ON THE COIL AND DISCARD THEM.

INSTALLATION

1. If not already provided, cut return air opening(s) in bottom or side(s) of coil cabinet. Refer to Figure 1 and do the following:
 - a. Remove the four corner knockouts from the cabinet.
 - b. Mark and cut out an opening.
2. Remove the appropriate refrigerant line knockouts. See Figure 4 for knockout locations.
3. Mark and cut out any required floor openings.
 - a. For installations where a furnace has been previously installed, utilize the existing floor openings.
 - b. For new installations mark and cut out floor openings as shown in Figure 2.
4. Install the coil cabinet and secure with the 3/4" screws provided.
 - a. For installations using optional rear mounting plate, slide the unit back until the bottom slots in the rear of the cabinet engage with both tabs of the mount-

- ing plate. Also, secure the front of the cabinet with two (2) 3/4" screws at the mounting holes provided.
- b. If a rear mounting plate is not used, secure the rear of the cabinet to the floor or wall with two (2) 3/4" screws at the mounting holes provided. Then secure the front of the cabinet with two (2) 3/4" screws at the mounting holes provided.
5. Mount furnace on top of coil cabinet in upflow mode. (See Figure 3.)
 - a. Position furnace return air opening over flanged opening on top of coil cabinet.
 - b. Secure rear of cabinet to furnace by bending-over tabs into furnace inlet or alternately secure with two (2) #10 sheetmetal screws at rear corners through holes provided.
 - c. Secure front of cabinet to furnace with two (2) #10 sheet metal screws through holes provided.
 6. Install return air duct.
 - a. For side ducted return air attach a field fabricated 11" x 19" flanged duct at the side(s).
 - b. For non-ducted return air applications refer to the furnace installation instructions for the minimum return air requirements.
 7. Install "A" coil in cabinet.
 - a. Remove air filters from coil and slide coil into place.
 - b. Secure front edge of drain pan to coil cabinet using mounting bracket supplied with cabinet. (See Figure 3.)
 8. Route refrigerant lines and drain hose through knock-outs and connect to coil. Refer to the installation instructions supplied with A/C coil or H/P system for details of coil and refrigerant line installation.
 9. Install refrigerant line close-off plates and secure to cabinet with sheet metal screws into pre-punched holes in cabinet.
 10. Make certain that coil cabinet filters (supplied with

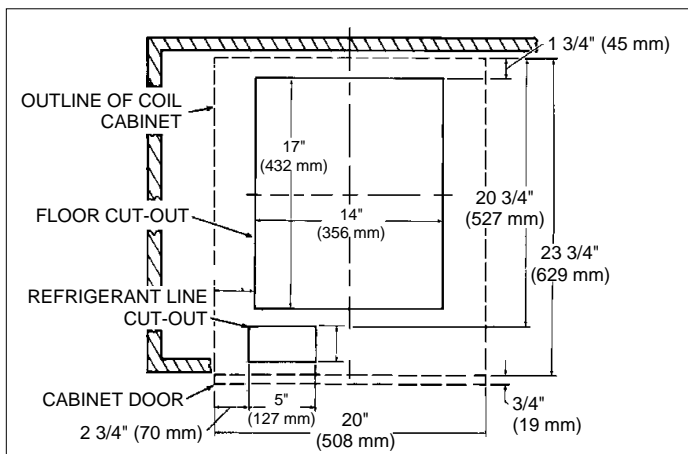


Figure 2. Floor Openings.

11. Replace outer-door-panels on front of furnace and coil cabinet.
12. Complete the system installation per the installation instruction manuals supplied with the furnace and the heat pump or air conditioner.

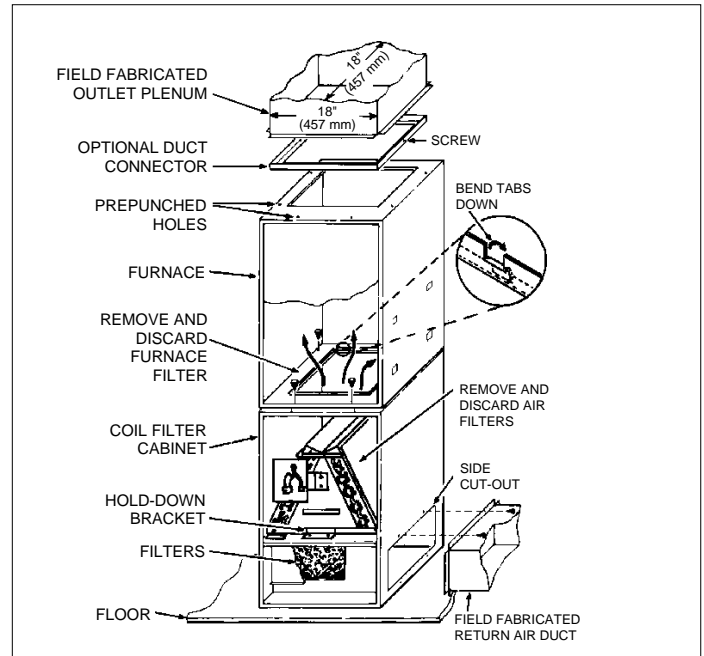


Figure 3.

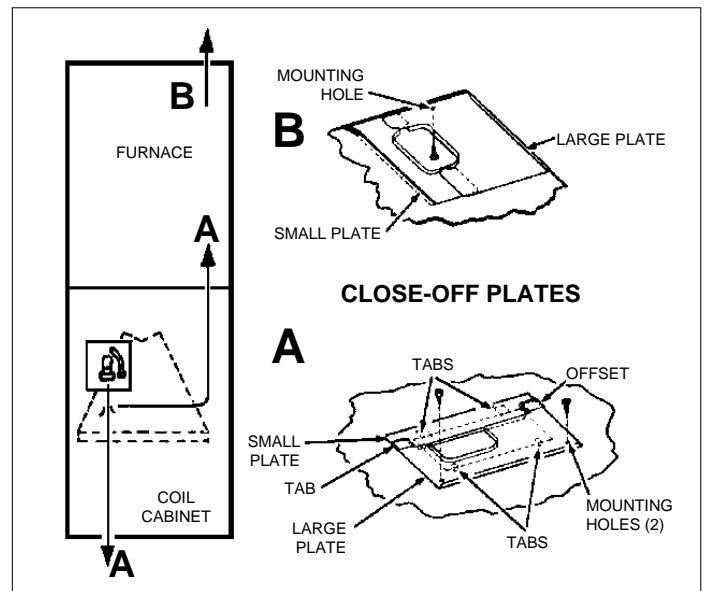


Figure 4. Refrigerant Line Routing Alternatives and Close-Off-Plate Locations