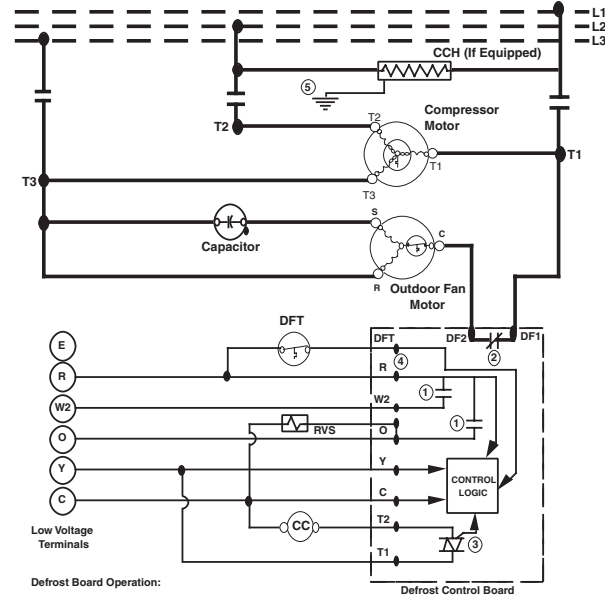


WIRING DIAGRAM

Split System Heat Pump (Outdoor Section)

NOTES:

1. Disconnect all power before servicing.
2. For supply connections use copper conductors only.
3. Not suitable on systems that exceed 150 volts to ground.
4. For replacement wires use conductors suitable for 105 deg. C
5. For supply wire ampacities and overcurrent protection, see unit data label.
6. Connect to 24 vac/40va/class 2 circuit. See furnace/air handler installation instructions for control circuit and optional Relay/Transformer Kits.

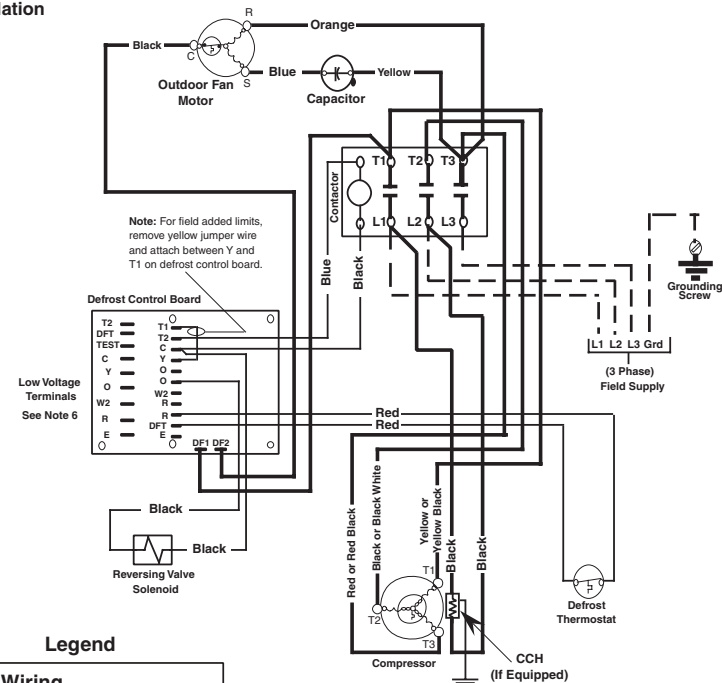


Defrost Board Operation:

- ① Closes during defrost. Rating: 1 Amp. Max.
- ② Opens during defrost. Rating: 2 HP. at 230 Vac Max.
- ③ Closed when "Y" is on. Open when "Y" is off. Provides "off" delay time of 5 min. when "Y" opens.
- ④ With DFT closed and "Y" closed, compressor run time is accumulated. Opening of DFT during defrost or interval period resets the interval to 0.
- ⑤ Ground on location provided inside compressor terminal box.

Three Phase

1. Couper le courant avant de faire letretien.
2. Employez uniquement des conducteurs en cuivre
3. Ne convient pas aux installations de plus de 150 volt a la terre.



Legend

Field Wiring	---
Factory Wiring	—
Low Voltage	—
High Voltage	—

- DFT - Defrost Thermostat
- RVS - Reversing Valve Solenoid
- CC - Contactor Coil
- CCH - Crankcase Heater (If Equipped)
- ODT - Outdoor Thermostat (Select Models Only)

703948D (Replaces 703948C)

1208