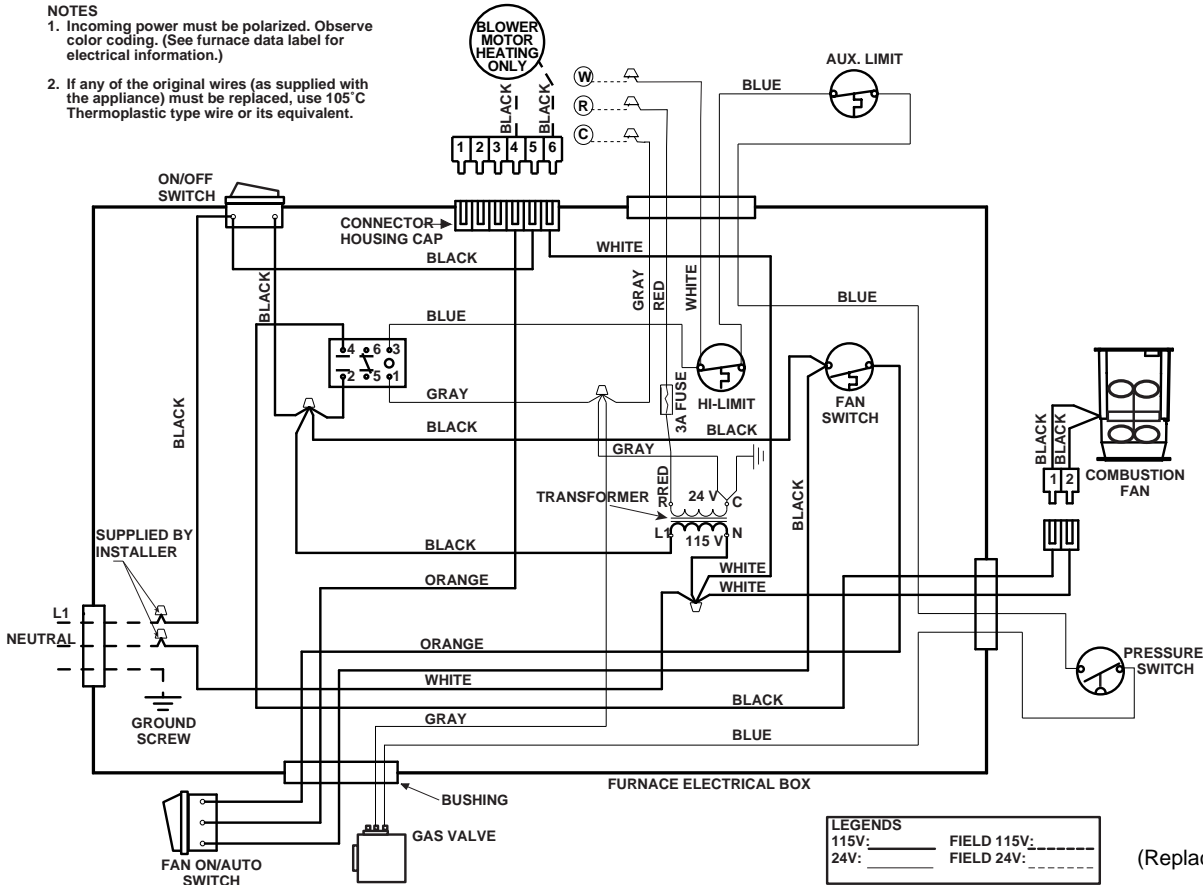


# WIRING DIAGRAM

## Standing Pilot With Induced Draft Furnaces, M1GH 077, 090 Models.

### NOTES

1. Incoming power must be polarized. Observe color coding. (See furnace data label for electrical information.)
2. If any of the original wires (as supplied with the appliance) must be replaced, use 105°C Thermoplastic type wire or its equivalent.



LEGENDS	
115V: _____	FIELD 115V: _____
24V: _____	FIELD 24V: _____

703888C  
 (Replaces 703888B)  
 02/99