

WIRING DIAGRAM

020H, 023H

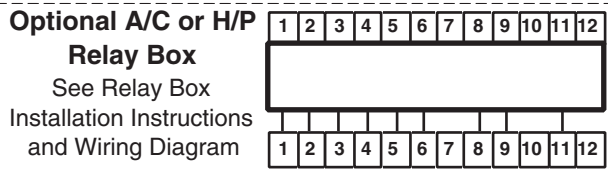
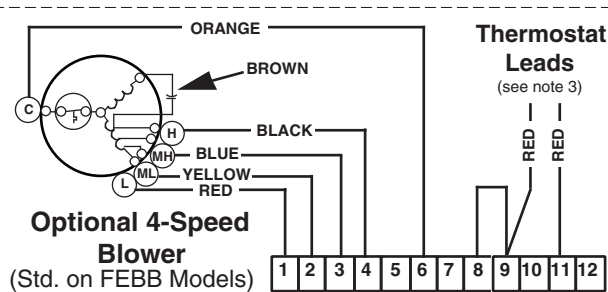
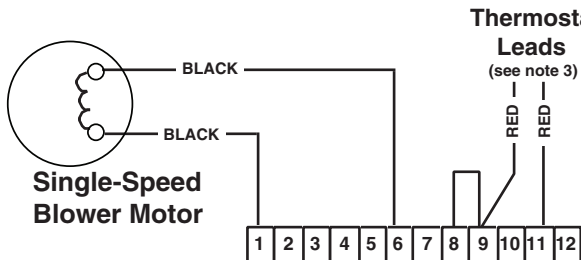


WARNING

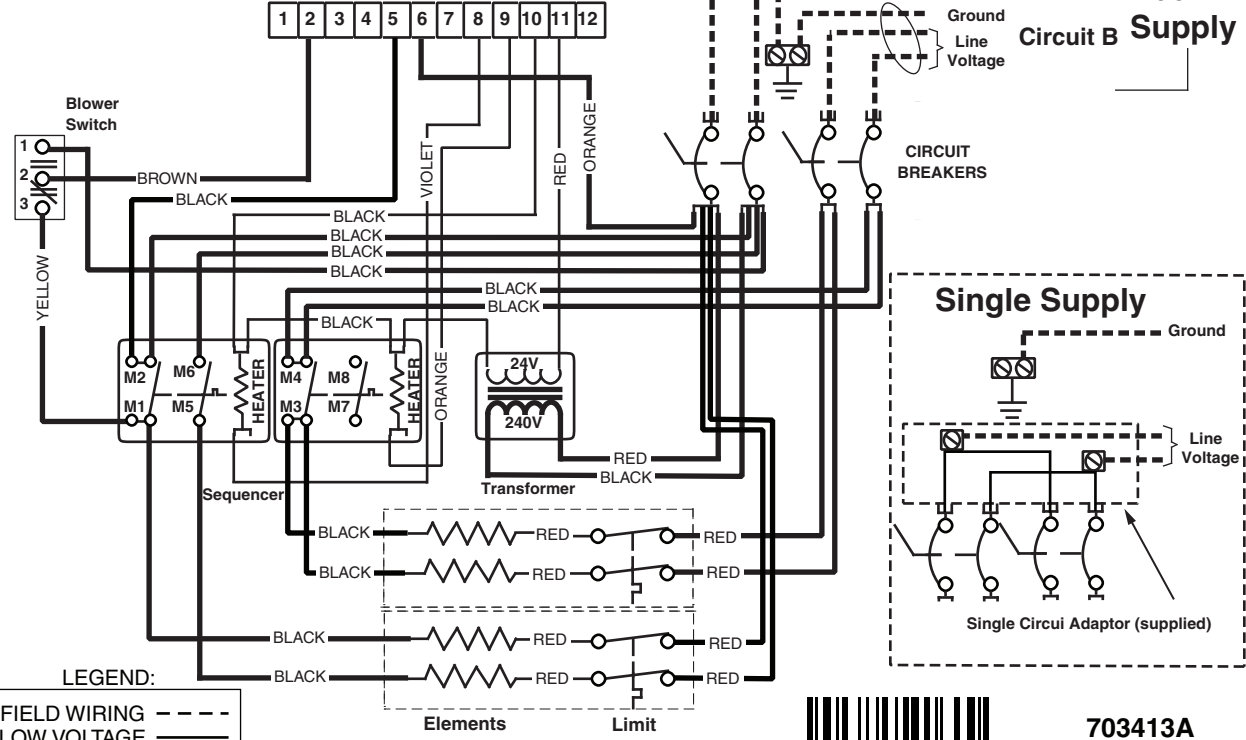
Switch circuit breaker to the "off" position before servicing the furnace.

Notes :

- 1) See unit data label for recommended supply wire sizes.
- 2) Thermostat anticipator setting : 0.40 Amps
- 3) Secure 24V connections to thermostat wires with wire nuts and seal with approved electrical tape.
- 4) When using a relay box refer to the relay box installation wiring diagram for thermostat connections.
- 5) If any wire in this unit is to be replaced it must be replaced with 105° C thermoplastic copper wire of the same gauge.
- 6) Not suitable for use on systems exceeding 120V to ground



NOTE : Circuit Breaker Conversion Kit # 902514- has been installed in this furnace



LEGEND:
 FIELD WIRING - - - - -
 LOW VOLTAGE ————
 HIGH VOLTAGE ————



703413A
 (Replaces 7034130)
 03/15