

# Round Damper With Plug-In Motor Model PCRDP

The PCRDP series are galvanized steel, single blade dampers compete with a 12 Volt DC motor actuator. These dampers are shipped complete and ready for installation. The PCRDP can be installed in any position in any properly sized duct. All PCRDP dampers are rated for duct systems less than 1.0" W.C.

Dampers are available in 5", 6", 7", 8", 9", 10", 12", 14", 16", 18" and 20" diameters. Dampers are ordered as PCRDPd, using 2 digits for each dimension.

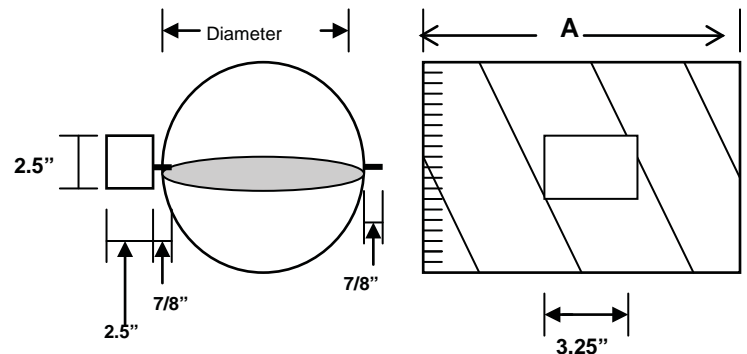
A 12 Volt DC damper motor, Model PCMP12, powers the PCRDP. The motor powers the damper closed and open. The PCMP12 motor wires by simply plugging the motor in using the modular cord, supplied with each damper. The modular cord is a 25' length of standard four (4) conductor telephone wire with RJ11 jacks on each end.

The PCMP12 motor has been tested to over 1,000,000 cycles to provide long life. Even replacing the motor is a simple less than one (1) minute change by loosening the setscrew holding the motor onto the damper, slide the motor off the damper shaft, place a new one on and secure with the screw.

The PCRDP motor also has a two-color Light Emitting Diode (LED) to indicate the damper position. When the LED is GREEN the damper is Open. When the LED is RED the damper is Closed. When the LED is not lit the motor is typically moving between open and closed. The motor cycles between open and closed in less than 5 seconds



## Dimensional Drawing



All dimensions are nominal.

## Damper Specifications

Construction	- 22 Ga. Galvanized Steel
Linkage	- Direct Drive
Sizes	- 5", 6", 7", 8", 9", 10", 12", 14", 16", 18"
Motor Voltage	- 12VDC, 0.06A
Torque	- 75 oz. in.
Temperature Rating	- - 40°C to 100°C Operating,
Damper Timing	- Nominal 3 seconds
Connection:	RJ11 Modular Connector
Duct Pressure	- Maximum 1.0" W.C.



## Specifying Information

Model PCRDP Quantity \_\_\_\_\_ Date: \_\_\_\_\_

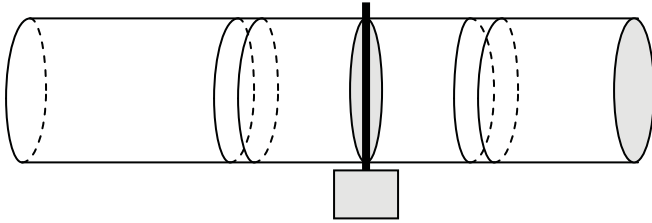
Job Name: \_\_\_\_\_

Location: \_\_\_\_\_

Buyer: \_\_\_\_\_ PO# \_\_\_\_\_

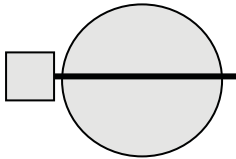
Engineer: \_\_\_\_\_

### Top View



Round damper in-line with round duct.

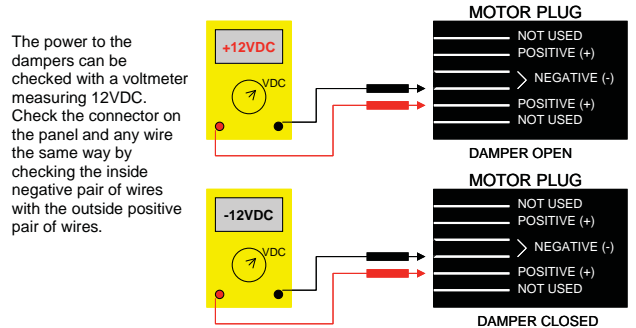
### SideView



## TROUBLESHOOTING

If the damper LED does not light and the motors is not moving when plugged into the control panel, unplug and retry plugging in again. Until the motor moves and the LED lights. Make sure the cord is not pinched or broken.

The motor is powered by 12VDC from the panel. Check the connector on the panel for 12VDC as shown below.

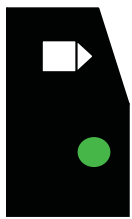


## CHECKOUT

To checkout the operation of the dampers the control panel needs to be operating. It is recommended that each damper be checked before installing into the duct.

To check the damper, plug the damper into a zone on the control panel. Each zone of the panel has an LED that will be Green when the damper is to be open. When the panel LED is off, the damper will close and the damper LED will go RED.

All dampers are 100% factory tested with the cord and splitter provided with each damper.



OPEN



CLOSE

The damper shaft is square however the motor has a small triangular shape that also indicates the position of the damper. If the LED does not light this will indicate the damper position. The damper may be closed and the LED not lit Red as the damper may have stopped short of full closed due to the roundness of the damper.



Manufacturer reserves the right to discontinue or change at any time, specifications or designs without notice or without incurring obligations. Performance of the Air Cleaners will depend on house plan design, duct design and heating/cooling equipment.

8000 Phoenix Parkway | O'Fallon, MO 63368-3827

Specifications and illustrations subject to change without notice and without incurring obligations. Printed in U.S.A. (03/11) 698D-0311

© Nortek Global HVAC LLC 2015. All Rights Reserved.