

**MAYTAG**

## TECHNICAL SPECIFICATIONS

*Model PDF2SF Dual Fuel Series Rev A*

iHybrid™

SmartStart®



M1200 Product Line

**15 SEER — 2 - 5 Ton Package Units  
2-Stage Heat/2-Stage Cool with Variable Speed Blower**



- **M1200 - 12 YEAR ALL PARTS LIMITED WARRANTY**
- **M1200 WITH UPGRADED WARRANTY PACKAGE - 12 YEAR ALL PARTS & LABOR LIMITED WARRANTY**
- **Both the standard and upgraded limited warranty packages offer a 12 Year Dependability Promise to replace the entire unit, if the unit's major component (heat exchanger or compressor) fails within the first 12 years of operation, to the original owner.**
- **Product registration (by consumer or dealer) required for 12-year Warranty and Dependability Promise within a limited period of time after the installation. See current warranty document for details. This can be viewed at [www.maytagvac.com](http://www.maytagvac.com) or ask your sales representative.**
- **Dealer is responsible for registration of labor portion of warranty.**
- **Also when registered, this product is upgraded to a limited lifetime heat exchanger warranty.**

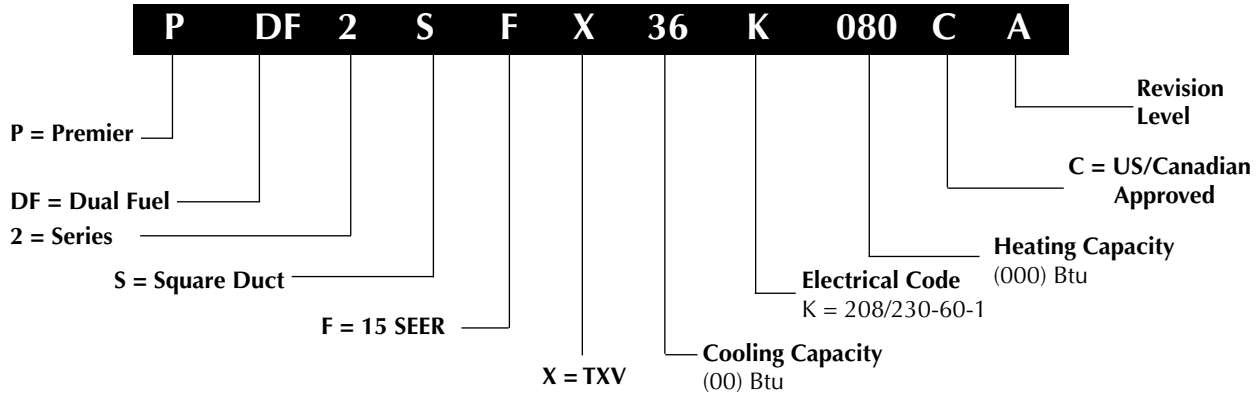


These single packaged gas/electrics and dual fuel high efficiency heat pump units can be installed on the roof or on a slab. The convertible unit design makes installations simple in all applications. Units are ETL listed.

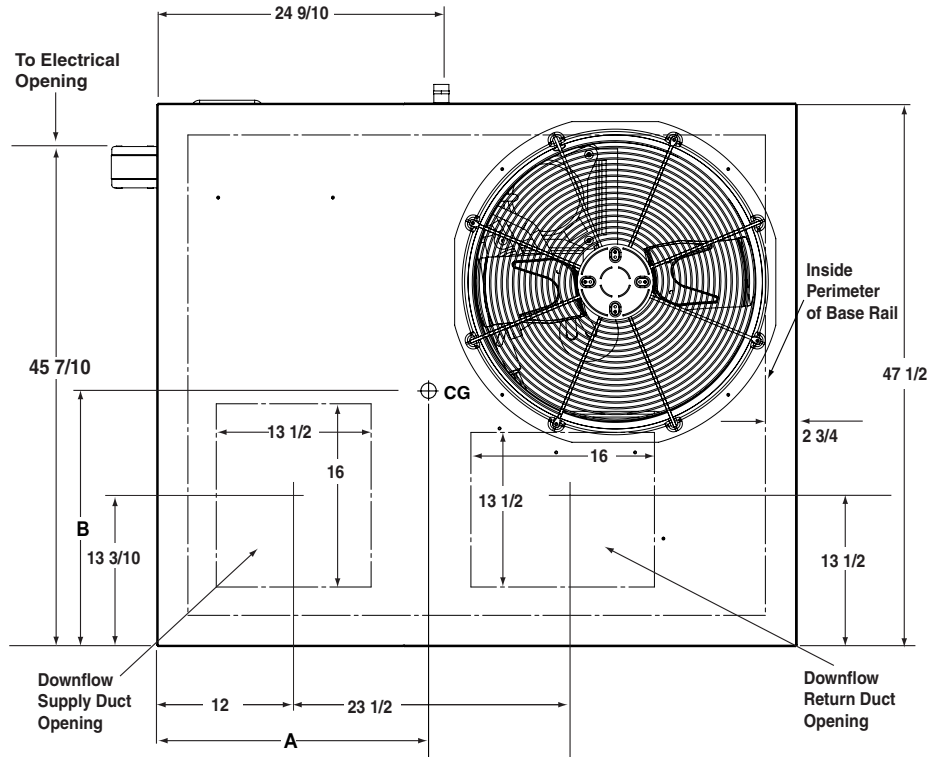
### Features and Benefits

- **Copeland Ultra-Tech Scroll Compressor:** State of the art 2 stage compressor is standard equipment.
- **Comfort Alert® II:** A breakthrough innovation to help contractors troubleshoot compressor failures. Field results prove that Comfort Alert diagnostics is improving accuracy and speed of service, which means reduced callbacks and more satisfied customers.
- **Quiet Operation and Low Vibration:** Swept-wing fan blade combined with custom Venturi condenser fan.
- **Compressor Sound Blanket:** Is standard equipment.
- **R-410A Refrigerant:** Earth friendly non-ozone depleting refrigerant.
- **Wire guard coated with Earth Friendly Epoxy and plastic mesh hail guard:** A guard that will never rust and protects the units coil from being damaged.
- **Copper Tube / Aluminum Fin Coils:** Both indoor and outdoor coils are designed to optimize heat transfer, minimize size and cost, and increase durability and reliability.
- **Designed using Galvanized Steel:** with a polyester urethane coat finish. The 950 hour salt spray finish is 1.5 mil thick and resists corrosion 50% better than comparable units.
- **Smaller Panels, Great Fit and Finish, Total Seal:** Well-designed, quality construction.
- **One Piece Top Pan:** With drip edge on top panels whisks away rainwater.
- **Embossed bottom pan:** keeps blower component compartment dry.
- **Permanently Lubricated Condenser Motor:** A heavy duty PSC motor for long lasting reliability and quiet operation. Requires no maintenance and is completely protected from rain and snow.
- **Thermostatic Expansion Valves:** Factory installed externally equalized thermostatic expansion valves provides precise refrigerant control under varying load conditions.
- **Hi/Low Pressure Switches:** Ensure long compressor life.
- **Externally Accessible, High Flow Service Ports:** Quick access to refrigeration system.
- **Liquid Line Filter Driers:** Factory installed at a convenient location for service.
- **Suction Accumulator:** Protection from liquid flood back and future compressor failures.
- **2-Stage Gas Heat Operation:** Featuring a 2 stage gas valve and 2 speed inducer motor.
- **Choice of Heating Control:** Two stage thermostat or single stage heating thermostat with on the control board timing of 5 or 10 minute delay for second stage of heat.
- **Low voltage Transformer:** Includes 5 Amp fuse to protect low voltage circuit.
- **Corrosion-Resistant Drain Pan:** Quickly drains away evaporator condensate.
- **ECM Variable Speed Blower Motor:** Advanced technology allows the motor to automatically adjust to different static loads. The variable speed motor allows for extra quiet operation and improved air quality.
- **Demand Defrost Standard:** Provides additional energy savings in heating by defrosting only when necessary.
- **Three Minute Restart Time Delay:** When the unit shuts down, a three minute delay keeps the unit from restarting, eliminating the highest cause for compressor failure.
- **Heavy-Gauge, Full Perimeter Base Rails:** Facilitates forklift handling and curb mounting.
- **Convertible Air Delivery:** Horizontal or downflow to accommodate rooftop or horizontal applications.
- **Easy Compressor and Control Access:** Designed to make servicing easier for the contractor, access panels are provided to all controls and the compressor from the side of the unit.
- **Easy access:** to the evaporator coil for cleaning and general maintenance.
- **Removable Top Grille Assembly:** Allows ease of service to the fan motor.
- **Duct Flanges:** reduce installation costs.
- **Proven, Industry Standard Components:** Easier service and availability.
- **SmartStart™ Control Board:** Provides extended life to igniters using hot surface ignition technology. Programmed to learn the heat-up characteristics of the igniter, then adapt the ignition time to the characteristics of the furnace so the igniter is energized appropriately.
- **Hot Surface igniter:** Innovative application of an appliance type igniter with a 20 year history of reliability.
- **Accessories:** Roof curbs and more.

# IDENTIFICATION CODE



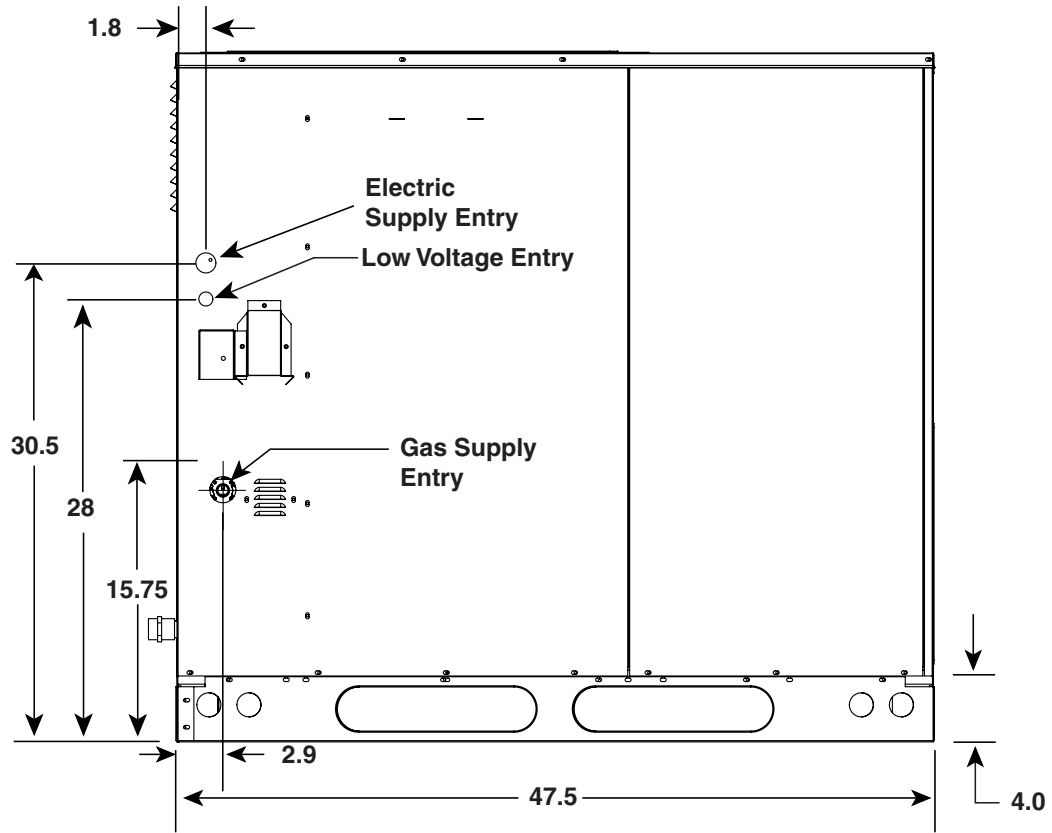
# DIMENSIONS



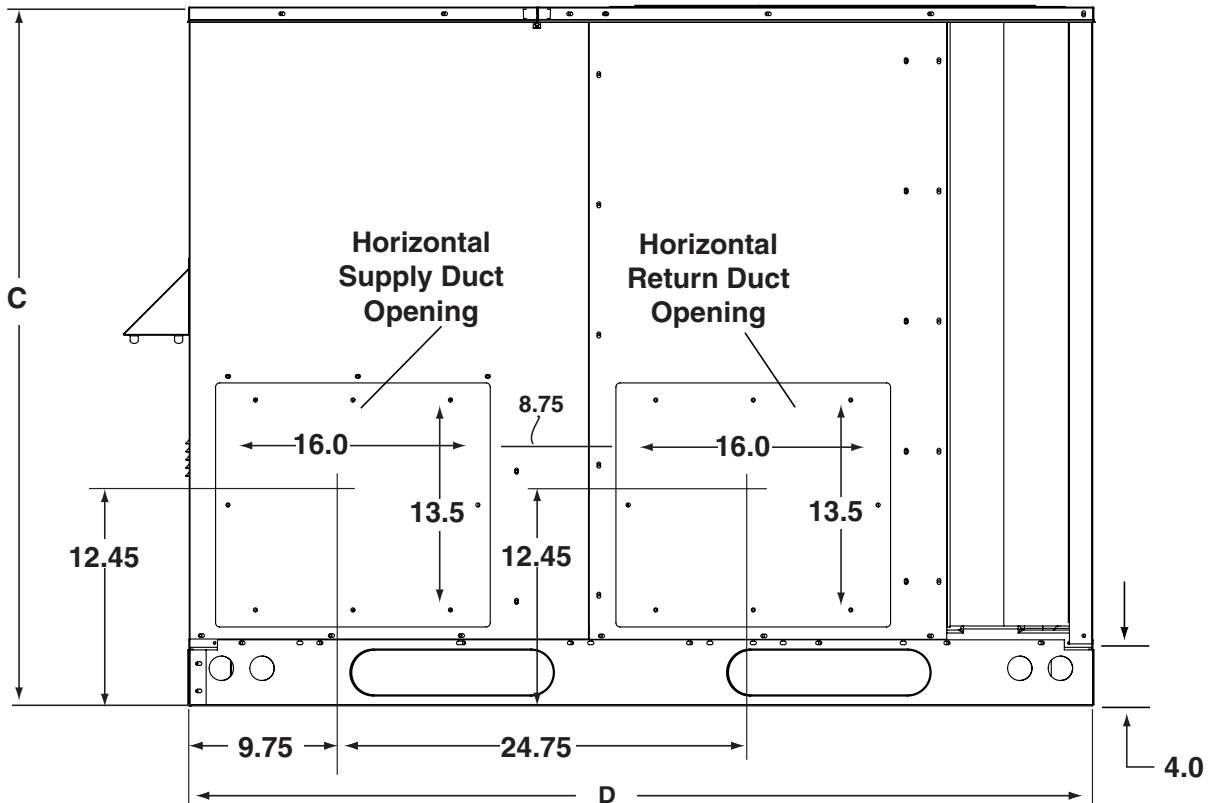
Top View

Model Number PDF2SF	Unit Weight	Shipping Weight	Center of Gravity		Height (in inches) C		D Length
			A	B	with base rails	without base rails	
X24K***CA	480	490	26.0	27.0	39.0	35.3	55.8
X36K***CA	590	600	26.0	27.0	43.0	39.3	55.8
X48K***CA	590	600	27.0	26.5	47.0	43.3	55.8
X60K***CA	655	670	30.0	26.5	47.0	43.3	63.6

# DIMENSIONS continued



Side View



Back View

# SPECIFICATIONS

## SINGLE PHASE

MODEL	PDF2SFX24K080CA	PDF2SFX36K100CA	PDF2SFX48K120CA	PDF2SFX60K120CA
<b>Performance (Gas)</b>				
Heating Input High/Low Btuh	80,000 / 52,000	100,000/65,000	120,000 /78,000	120,000/73,000
Heating Output High/Low Btuh	64,000 / 41,600	80,000/52,000	96,000 / 62,400	96,000/62,400
AFUE	80	80	80	80
<b>Performance (Electric)</b>				
Efficiency -- SEER	15.00	15.0	15.00	15.00
Efficiency -- EER (Btuh/Watt)	12.0	12.0	12.0	12.0
Capacity - Heating	22,000	32,000	45,000	56,000
Efficiency - HSPF	8.0	8.0	8.0	8.0
Capacity - Cooling	24,000	35,000	46,000	55,500
<b>Electrical Rating - 60 Hz</b>				
Phase	1	1	1	1
Operating Voltage Range	187 - 253	187-253	187 - 253	187-253
Minimum Circuit Ampacity	20.3	29	38.6	47
Max. Overcurrent Protection	30	50	60	70
<b>Compressor Data</b>				
Volts	208 / 230	208/230	208 / 230	208/230
Rated Load Amps	11.7	15.3	21.2	28.8
Lock Rotor Amps	58.3	83	104	152.9
<b>Indoor Blower</b>				
Wheel Diameter	10 x 10	10 x 10	11 x 10	11 x 10
Motor Type	Variable Speed	Variable Speed	Variable Speed	Variable Speed
Motor HP	1/2	3/4	1	1
Motor Amps	4.3	6.8	9.1	9.1
<b>Outdoor Fan</b>				
Motor HP	1/8	1/3	1/3	1/4
Motor Amps	.9	2.6	2.6	1.46
Fan Diameter/CFM	24" / 3200	24" / 4000	24" / 4000	24"/4000
<b>Refrigerant Charge (oz)</b>	128	160	240	272
<b>Sound Rating db</b>	77	76	76	78

# NOMINAL AIRFLOW RATES AND TEMPERATURE RISE

Model Number	Heating Input (Btuh)	Heating Output (Btuh)	CFM Range	Heating Rise Range (°F)	Cooling Output (Btuh)	Blower Size	Motor (HP)
X24K080CA	80,000	64,000	1100 - 1350	35-65	24,000	10 X 10	1/2
	52,000	41,600	750 - 1050				
X36K100CA	100,000	80,000	1200 - 1600	40-70	35,000	10 X 10	1/2
	65,000	52,000	900 - 1200				
X48K120CA	120,000	96,000	1350 - 2000	40-70	46,000	11 X 10	1
	78,000	62,400	950 - 1300				
X60K120CA	120,000	96,000	1350 - 2000	40-70	55,500	11 X 10	1
	78,000	62,400	950 - 1300				

NOTE: CFM and Rise are independent of ESP in a variable speed blower.

# AIRFLOW SETTINGS FOR COOLING

2 TON UNITS				3 TON UNITS				4 - 5 TON UNITS				
BLOWER SELECTOR SETTING		RECOMMENDED A/C AIRFLOW RATE (CFM)	BLOWER SELECTOR SETTING		RECOMMENDED A/C AIRFLOW RATE (CFM)	BLOWER SELECTOR SETTING		RECOMMENDED A/C AIRFLOW RATE (CFM)				
COOL	ADJUST		COOL	ADJUST		COOL	ADJUST	COOL	ADJUST			
TAP "A"	-10%	2 TON	TAP "A"	-10%	3 TON	TAP "A"	-10%	4 TON	5 TON	685	840	1485
	Normal			760			930			1650		
	+10%			835			1025			1815		
TAP "B"	-10%	2 TON	TAP "B"	-10%	3 TON	TAP "B"	-10%	4 TON	5 TON	840	975	1620
	Normal			930			1080			1800		
	+10%			1025			1190			1980		
TAP "C"	-10%	2 TON	TAP "C"	-10%	3 TON	TAP "C"	-10%	4 TON	5 TON	975	1110	1665
	Normal			1080			1230			1850		
	+10%			1190			1350			2035		
TAP "D"	-10%	2 TON	TAP "D"	-10%	3 TON	TAP "D"	-10%	4 TON	5 TON	1110	1290	1800
	Normal			1230			1430			2000		
	+10%			1350			1575			2200		

NOTE: Blower "ADJUST" tap non-functional in Heating mode.

## AIRFLOW SETTINGS FOR HEATING

Blower HEAT Selector Setting	2 TON				3 TON				4 & 5 TON			
	Low Input		High Input		Low Input		High Input		Low Input		High Input	
	52,000		80,000		65,000		100,000		78,000		120,000	
	CFM	Rise	CFM	Rise	CFM	Rise	CFM	Rise	CFM	Rise	CFM	Rise
TAP "A"	750	51	1100	55	900	53	1200	63	950	61	1350	67
TAP "B"	850	45	1150	53	1000	48	1300	58	1050	55	1500	61
TAP "C"	<b>950</b>	<b>41</b>	<b>1250</b>	<b>49</b>	<b>1100</b>	<b>44</b>	<b>1400</b>	<b>54</b>	<b>1150</b>	<b>50</b>	<b>1700</b>	<b>54</b>
TAP "D"	1050	37	1350	45	1200	40	1600	47	1300	44	2000	46

### NOTES:

1. Recommended temperature rises are highlighted in **bold**. Use of any other setting may result in nuisance trips.
2. Temperature rises in the table are approximate. Actual temperature rises may vary.

## ACCESSORIES

Description	Part Number
Roof Curb (8")	547830
Roof Curb (14")	547831
Roof Curb (18")	547850
Roof Curb (24")	547851
Universal Hard Start Kit	912933
Low Ambient Kit	918837
U.S. LP Gas Conversion Kit (0 ft to 10,000 ft above sea level)	904404A
Canadian LP Gas Conversion Kit (0 to 4,500 ft above sea level)	904405A
Cap, Duct Adapter, 12" Round	913811A
Cap, Duct Adapter, 14" Round	913812A
Thermostat with back-up gas heat capability (outdoor sensor required)	919775
Thermostat - Outdoor Sensor	919008
Skirt Trim Kit 24, 36, 48	919729B
Skirt Trim Kit 60	920936B
Extreme High Wind Kit - Roof Curb Mount	903696
Extreme High Wind Kit - Ground Mount	903695



# EXPANDED RATINGS COOLING PERFORMANCE

## PDF2SFX24K High Speed

CFM	O.D.T		65°F			75°F			85°F			95°F			105°F			115°F		
	E.D.B.	E.W.B.	T.C.	S.C.	K.W.	T.C.	S.C.	K.W.	T.C.	S.C.	K.W.	T.C.	S.C.	K.W.	T.C.	S.C.	K.W.	T.C.	S.C.	K.W.
700	80	62	25.4	20.5	1.46	24.5	20.3	1.61	23.4	20.4	1.79	22.1	20.0	1.99	20.8	20.5	2.22	19.6	19.2	2.47
	80	67	27.5	16.7	1.47	26.5	16.6	1.63	25.3	16.7	1.81	23.9	16.4	2.02	22.5	16.1	2.25	20.9	15.1	2.50
	80	72	30.2	12.8	1.49	29.0	12.8	1.66	27.6	13.0	1.84	26.1	12.7	2.05	24.4	12.4	2.28	22.6	12.6	2.54
	75	62	25.3	17.0	1.46	24.3	16.9	1.61	23.2	17.0	1.79	21.9	16.6	1.99	20.6	15.1	2.22	19.1	16.3	2.47
850	80	62	26.5	23.0	1.47	25.5	23.4	1.62	24.4	22.7	1.80	23.3	22.0	2.01	22.0	21.3	2.24	20.7	20.5	2.50
	80	67	28.5	18.6	1.48	27.4	19.1	1.64	26.1	18.6	1.82	24.7	18.4	2.03	23.2	18.3	2.26	21.5	18.2	2.51
	80	72	31.0	14.0	1.50	29.6	14.6	1.66	28.2	14.2	1.85	26.7	14.0	2.06	25.0	14.0	2.29	23.2	13.9	2.55
	75	62	26.2	18.9	1.47	25.2	19.4	1.62	24.0	18.9	1.80	22.7	18.6	2.00	21.3	18.5	2.23	19.7	18.3	2.48
1000	80	62	27.6	25.1	1.47	26.6	24.8	1.63	25.5	23.8	1.81	24.3	23.1	2.02	23.0	22.2	2.26	21.5	21.4	2.51
	80	67	29.3	20.7	1.49	28.1	20.9	1.64	26.7	20.4	1.83	25.3	20.3	2.04	23.7	20.1	2.27	21.9	20.1	2.52
	80	72	31.5	15.4	1.50	30.3	15.8	1.67	28.8	15.3	1.86	27.2	15.2	2.07	25.5	15.1	2.31	23.6	15.1	2.56
	75	62	26.9	21.1	1.47	25.9	21.2	1.62	24.6	20.7	1.80	23.3	20.5	2.01	21.8	20.2	2.24	20.2	20.0	2.49

## PDF2SFX24K Low Speed

CFM	O.D.T		65°F			75°F			85°F			95°F			105°F			115°F		
	E.D.B.	E.W.B.	T.C.	S.C.	K.W.	T.C.	S.C.	K.W.	T.C.	S.C.	K.W.	T.C.	S.C.	K.W.	T.C.	S.C.	K.W.	T.C.	S.C.	K.W.
550	80	62	18.6	15.6	0.99	17.9	15.5	1.09	17.1	15.6	1.21	16.3	15.3	1.34	15.5	15.2	1.49	14.5	14.3	1.66
	80	67	20.1	12.6	1.00	19.4	12.5	1.10	18.5	12.6	1.22	17.6	12.4	1.35	16.5	12.2	1.51	15.3	11.6	1.68
	80	72	22.0	9.6	1.00	21.1	9.6	1.11	20.1	9.8	1.23	19.0	9.5	1.37	17.9	9.4	1.53	16.6	9.5	1.70
	75	62	18.5	12.9	0.99	17.8	12.8	1.09	17.0	12.9	1.20	16.1	12.7	1.34	15.1	11.5	1.49	14.0	12.4	1.65
650	80	62	19.3	17.3	0.99	18.7	17.4	1.09	17.9	16.7	1.21	17.1	16.2	1.35	16.2	15.7	1.50	15.2	15.1	1.68
	80	67	20.7	13.9	1.00	19.9	14.2	1.10	19.0	13.9	1.22	18.0	13.7	1.36	16.9	13.7	1.51	15.7	13.6	1.68
	80	72	22.4	10.4	1.01	21.5	10.8	1.11	20.5	10.5	1.24	19.4	10.4	1.38	18.2	10.4	1.53	16.9	10.4	1.71
	75	62	19.0	14.1	0.99	18.3	14.5	1.09	17.5	14.2	1.21	16.5	13.9	1.34	15.5	13.9	1.49	14.4	13.7	1.66
750	80	62	20.1	18.3	1.00	19.4	18.1	1.10	18.7	17.4	1.22	17.8	16.9	1.36	16.8	16.3	1.51	15.8	15.7	1.69
	80	67	21.2	15.3	1.00	20.4	15.5	1.10	19.4	15.1	1.23	18.4	15.0	1.36	17.2	14.9	1.52	16.0	14.9	1.69
	80	72	22.8	11.4	1.01	21.9	11.6	1.12	20.9	11.2	1.24	19.8	11.2	1.38	18.5	11.1	1.54	17.2	11.2	1.71
	75	62	19.5	15.6	1.00	18.7	15.8	1.09	17.9	15.4	1.21	16.9	15.2	1.35	15.9	15.0	1.50	14.8	14.7	1.67

## PDF2SFX36K High Speed

CFM	O.D.T		65°F			75°F			85°F			95°F			105°F			115°F		
	E.D.B.	E.W.B.	T.C.	S.C.	K.W.	T.C.	S.C.	K.W.	T.C.	S.C.	K.W.	T.C.	S.C.	K.W.	T.C.	S.C.	K.W.	T.C.	S.C.	K.W.
1000	80	62	36.3	29.0	2.13	35.0	28.8	2.36	33.5	28.9	2.62	31.8	28.4	2.91	30.0	29.5	3.24	28.2	27.7	3.61
	80	67	39.4	23.7	2.16	37.9	23.6	2.39	36.3	23.8	2.66	34.5	23.3	2.94	32.5	23.0	3.27	30.3	21.6	3.64
	80	72	42.9	18.0	2.20	41.3	18.0	2.43	39.5	18.4	2.69	37.6	18.0	2.98	35.4	17.7	3.31	33.0	18.1	3.69
	75	62	36.2	24.2	2.14	34.8	24.0	2.37	33.3	24.1	2.63	31.6	23.7	2.91	29.8	21.6	3.24	27.8	23.4	3.62
1150	80	62	37.4	31.5	2.14	36.0	32.1	2.37	34.4	31.3	2.63	32.8	30.8	2.92	31.1	30.1	3.25	29.3	29.1	3.63
	80	67	40.4	25.5	2.17	38.9	26.3	2.40	37.1	25.7	2.67	35.3	25.5	2.95	33.2	25.4	3.28	30.9	25.3	3.66
	80	72	43.9	19.2	2.21	42.2	20.1	2.44	40.4	19.6	2.70	38.3	19.4	2.99	36.1	19.5	3.32	33.6	19.6	3.69
	75	62	37.2	26.0	2.15	35.7	26.9	2.38	34.1	26.0	2.64	32.4	25.7	2.92	30.5	25.8	3.25	28.4	25.6	3.63
1300	80	62	38.3	34.1	2.15	36.9	34.1	2.38	35.4	33.1	2.64	33.9	32.2	2.93	32.2	31.1	3.26	30.3	30.2	3.64
	80	67	41.2	27.7	2.18	39.6	28.1	2.41	37.8	27.5	2.67	35.9	27.4	2.96	33.8	27.2	3.28	31.4	27.3	3.66
	80	72	44.6	20.8	2.22	42.9	21.3	2.45	41.0	20.8	2.71	38.9	20.8	3.00	36.5	20.7	3.32	34.0	20.9	3.70
	75	62	37.9	28.4	2.15	36.5	28.5	2.38	34.8	27.9	2.64	33.0	27.7	2.93	31.0	27.5	3.26	28.9	27.3	3.63

## PDF2SFX36K Low Speed

CFM	O.D.T		65°F			75°F			85°F			95°F			105°F			115°F		
	E.D.B.	E.W.B.	T.C.	S.C.	K.W.	T.C.	S.C.	K.W.	T.C.	S.C.	K.W.	T.C.	S.C.	K.W.	T.C.	S.C.	K.W.	T.C.	S.C.	K.W.
750	80	62	25.1	20.8	1.27	24.2	20.7	1.42	23.1	20.7	1.59	22.0	20.3	1.76	20.8	20.5	1.96	19.6	19.3	2.18
	80	67	27.1	16.8	1.28	26.1	16.7	1.44	24.9	16.8	1.60	23.7	16.5	1.78	22.3	16.2	1.97	20.8	15.4	2.20
	80	72	29.4	12.9	1.30	28.7	13.0	1.38	28.0	13.5	1.45	27.4	13.4	1.53	26.8	13.5	1.62	26.1	14.1	1.70
	75	62	24.9	17.2	1.27	24.5	17.4	1.34	24.0	17.6	1.42	23.4	17.5	1.50	22.9	17.2	1.58	22.3	18.2	1.67
850	80	62	25.8	22.4	1.27	24.8	22.8	1.43	23.8	22.2	1.59	22.7	21.5	1.77	21.6	20.9	1.97	20.3	20.1	2.19
	80	67	27.7	17.9	1.29	26.6	18.4	1.44	25.4	18.0	1.60	24.1	17.7	1.78	22.7	17.7	1.98	21.2	17.6	2.20
	80	72	29.7	13.6	1.31	29.1	14.4	1.38	28.6	14.2	1.46	27.9	14.3	1.54	27.3	14.6	1.62	26.6	15.1	1.71
	75	62	25.5	18.4	1.27	25.0	19.1	1.35	24.5	18.9	1.43	23.9	18.8	1.51	23.4	19.1	1.59	22.8	19.4	1.67
950	80	62	26.4	24.0	1.28	25.5	23.8	1.43	24.5	22.9	1.60	23.4	22.2	1.78	22.2	21.5	1.97	20.9	20.8	2.20
	80	67	28.2	19.4	1.29	27.1	19.6	1.45	25.8	19.1	1.61	24.5	19.0	1.79	23.1	18.8	1.98	21.5	18.7	2.20
	80	72	30.2	14.6	1.31	29.6	15.1	1.38	29.0	14.8	1.46	28.3	15.1	1.54	27.6	15.3	1.62	26.9	15.8	1.71
	75	62	25.9	20.0	1.28	25.4	20.2	1.35	24.9	20.0	1.43	24.4	20.2	1.51	23.8	20.4	1.59	23.2	20.8	1.68

**PDF2SFX48K High Speed**

O.D.T			65°F			75°F			85°F			95°F			105°F			115°F		
CFM	E.D.B.	E.W.B.	T.C.	S.C.	K.W.	T.C.	S.C.	K.W.	T.C.	S.C.	K.W.	T.C.	S.C.	K.W.	T.C.	S.C.	K.W.	T.C.	S.C.	K.W.
1350	80	62	47.9	38.7	2.90	46.2	38.5	3.19	44.3	38.7	3.50	42.2	38.1	3.83	39.9	39.2	4.21	37.5	36.9	4.62
	80	67	52.1	31.6	2.94	50.3	31.5	3.23	48.1	31.8	3.55	45.8	31.3	3.88	43.2	30.8	4.25	40.4	28.9	4.66
	80	72	56.9	24.1	2.99	54.8	24.1	3.28	52.6	24.6	3.60	50.0	24.1	3.94	47.2	23.8	4.30	44.1	24.3	4.72
	75	62	47.9	32.1	2.94	46.1	32.3	3.21	44.1	32.3	3.51	41.8	31.7	3.83	39.4	28.9	4.19	36.6	31.3	4.58
1500	80	62	49.1	41.3	2.91	47.3	42.1	3.20	45.3	41.2	3.51	43.2	40.6	3.85	41.1	39.7	4.22	38.8	38.5	4.65
	80	67	53.2	33.5	2.95	51.2	34.5	3.24	49.1	33.8	3.56	46.6	33.5	3.89	44.0	33.5	4.26	41.0	33.4	4.67
	80	72	57.9	25.3	3.00	55.8	26.6	3.29	53.4	25.8	3.61	50.8	25.7	3.95	47.8	25.8	4.32	44.6	25.9	4.72
	75	62	49.0	34.3	2.95	47.1	35.0	3.22	45.0	34.3	3.52	42.6	33.9	3.84	40.1	33.9	4.19	37.3	33.6	4.59
1650	80	62	50.1	44.2	2.92	48.3	44.4	3.21	46.4	43.2	3.53	44.4	42.2	3.86	42.3	40.9	4.24	39.9	39.7	4.65
	80	67	54.1	35.9	2.95	52.1	36.5	3.25	49.8	35.7	3.57	47.3	35.6	3.90	44.6	35.4	4.27	41.6	35.5	4.68
	80	72	58.7	27.1	3.01	56.5	27.8	3.30	54.1	27.1	3.62	51.4	27.1	3.96	48.4	27.0	4.32	45.2	27.3	4.73
	75	62	49.9	36.9	2.96	47.9	37.0	3.23	45.7	36.2	3.53	43.3	35.9	3.85	40.7	35.7	4.20	37.9	35.4	4.61

**PDF2SFX48K Low Speed**

O.D.T			65°F			75°F			85°F			95°F			105°F			115°F		
CFM	E.D.B.	E.W.B.	T.C.	S.C.	K.W.	T.C.	S.C.	K.W.	T.C.	S.C.	K.W.	T.C.	S.C.	K.W.	T.C.	S.C.	K.W.	T.C.	S.C.	K.W.
850	80	62	32.7	25.5	1.83	31.6	25.3	2.03	30.4	25.5	2.24	29.0	25.1	2.47	27.4	26.5	2.73	25.7	24.8	3.01
	80	67	35.8	20.8	1.84	34.6	20.8	2.05	33.2	21.0	2.26	31.7	20.7	2.49	30.0	20.4	2.75	28.1	18.9	3.03
	80	72	39.2	16.1	1.87	37.8	16.1	2.07	36.3	16.5	2.29	34.7	16.2	2.52	32.8	15.9	2.77	30.8	16.3	3.06
	75	62	32.7	21.2	1.83	31.6	21.2	2.03	30.3	21.3	2.24	28.9	21.1	2.47	27.3	19.4	2.73	25.6	20.8	3.01
1000	80	62	34.0	28.1	1.83	32.8	28.7	2.04	31.5	28.1	2.26	30.1	27.8	2.48	28.5	27.5	2.73	27.0	26.7	3.02
	80	67	37.0	22.8	1.86	35.7	23.5	2.06	34.3	23.0	2.27	32.7	22.8	2.50	30.9	22.9	2.75	28.9	22.8	3.04
	80	72	40.3	17.3	1.88	39.0	18.2	2.09	37.4	17.7	2.30	35.7	17.6	2.53	33.7	17.8	2.78	31.5	17.8	3.07
	75	63	33.8	23.3	1.84	32.6	23.9	2.04	31.3	23.5	2.26	29.8	23.1	2.48	28.2	23.0	2.73	26.3	22.9	3.02
1150	80	62	35.0	30.8	1.84	33.8	31.0	2.05	32.6	30.3	2.26	31.2	29.6	2.49	29.8	28.8	2.74	28.1	28.0	3.03
	80	67	37.9	25.0	1.86	36.6	25.4	2.07	35.1	24.9	2.28	33.4	24.9	2.51	31.6	24.7	2.76	29.5	24.8	3.04
	80	72	41.2	18.9	1.89	39.8	19.4	2.09	38.1	18.9	2.30	36.3	19.0	2.53	34.3	19.0	2.79	32.1	19.2	3.08
	75	62	34.7	25.7	1.84	33.5	25.9	2.04	32.1	25.4	2.25	30.6	25.3	2.49	28.8	25.0	2.74	26.9	24.9	3.02

**PDF2SFX60K High Speed**

O.D.T			65°F			75°F			85°F			95°F			105°F			115°F		
CFM	E.D.B.	E.W.B.	T.C.	S.C.	K.W.	T.C.	S.C.	K.W.	T.C.	S.C.	K.W.	T.C.	S.C.	K.W.	T.C.	S.C.	K.W.	T.C.	S.C.	K.W.
1600	80	62	58.3	46.5	3.55	56.2	46.2	3.85	53.7	46.4	4.20	50.9	45.5	4.62	47.9	47.1	5.11	44.8	44.1	5.65
	80	67	63.3	38.1	3.59	60.8	37.9	3.90	58.1	38.2	4.25	55.0	37.4	4.67	51.7	36.7	5.15	48.1	34.4	5.70
	80	72	69.5	29.2	3.66	66.7	29.1	3.96	63.7	29.6	4.32	60.4	29.0	4.74	56.7	28.4	5.22	52.7	28.9	5.76
	75	62	57.9	38.8	3.55	55.8	38.5	3.85	53.3	38.5	4.20	50.5	37.8	4.63	47.5	34.4	5.11	44.1	37.2	5.65
1750	80	62	59.5	49.2	3.55	57.2	50.1	3.86	54.7	49.0	4.21	51.9	48.3	4.64	49.0	47.4	5.12	46.1	45.7	5.67
	80	67	64.3	40.0	3.60	61.8	41.2	3.91	59.0	40.1	4.26	55.8	39.6	4.69	52.5	39.5	5.16	48.8	39.2	5.71
	80	72	70.5	30.4	3.67	67.7	31.8	3.97	64.6	30.9	4.33	61.1	30.5	4.75	57.3	30.6	5.23	53.1	30.6	5.77
	75	62	59.1	40.8	3.56	56.8	41.6	3.86	54.2	40.8	4.21	51.3	40.3	4.64	48.2	39.8	5.12	44.8	39.5	5.66
1900	80	62	60.5	52.3	3.56	58.2	52.7	3.87	55.6	51.4	4.22	53.0	50.3	4.65	50.2	48.5	5.13	47.2	47.0	5.69
	80	67	65.2	42.5	3.61	62.7	43.0	3.92	59.8	42.0	4.27	56.6	41.7	4.69	53.1	41.3	5.17	49.3	41.2	5.72
	80	72	71.2	32.3	3.68	68.4	33.1	3.97	65.2	32.1	4.34	61.6	32.1	4.76	57.7	31.9	5.22	53.0	32.0	5.77
	75	62	60.0	43.2	3.56	57.7	43.4	3.87	55.0	42.5	4.22	52.0	42.1	4.65	48.8	41.8	5.12	45.4	41.5	5.67

**PDF2SFX60K Low Speed**

O.D.T			65°F			75°F			85°F			95°F			105°F			115°F		
CFM	E.D.B.	E.W.B.	T.C.	S.C.	K.W.	T.C.	S.C.	K.W.	T.C.	S.C.	K.W.	T.C.	S.C.	K.W.	T.C.	S.C.	K.W.	T.C.	S.C.	K.W.
1050	80	62	40.8	31.5	2.29	39.4	31.3	2.50	37.8	31.5	2.74	36.1	31.0	3.01	34.1	32.6	3.33	31.9	30.5	3.70
	80	67	44.2	26.0	2.33	42.7	25.8	2.53	41.0	26.1	2.77	39.0	25.6	3.04	36.9	25.1	3.35	34.5	23.5	3.72
	80	72	48.5	20.0	2.38	46.8	20.0	2.57	44.9	20.5	2.81	42.7	20.0	3.08	40.3	19.7	3.39	37.4	20.1	3.76
	75	62	41.7	28.4	2.31	40.3	28.2	2.52	38.6	28.3	2.75	36.8	27.9	3.02	34.7	25.5	3.34	32.4	27.3	3.70
1200	80	62	42.0	34.1	2.31	40.6	34.8	2.52	38.9	34.1	2.75	37.1	33.7	3.02	35.0	33.4	3.34	33.0	32.7	3.71
	80	67	45.4	27.8	2.34	43.8	28.7	2.54	42.0	28.0	2.78	40.0	27.6	3.05	37.7	27.6	3.36	35.2	27.4	3.73
	80	72	49.5	21.2	2.39	47.8	22.3	2.58	45.7	21.7	2.82	43.2	21.5	3.08	40.6	21.6	3.39	37.9	21.5	3.76
	75	62	42.7	30.3	2.31	41.2	31.0	2.52	39.4	30.1	2.75	37.5	29.8	3.03	35.3	29.5	3.34	33.0	29.4	3.71
1350	80	62	43.0	37.0	2.31	41.5	37.2	2.52	39.9	36.4	2.76	38.0	36.0	3.03	36.1	34.9	3.35	34.1	33.9	3.72
	80	67	46.3	30.0	2.35	44.7	30.4	2.55	42.8	29.7	2.78	40.7	29.6	3.05	38.4	29.3	3.37	35.8	29.4	3.73
	80	72	50.1	22.9	2.40	48.1	23.5	2.59	46.0	22.8	2.82	43.7	22.8	3.09	41.3	22.6	3.40	38.5	22.7	3.76
	75	62	39.2	26.3	2.50	37.6	26.4	2.74	35.8	25.5	3.01	33.8	25.3	3.33	31.6	24.9	3.70	33.4	28.2	3.71

# EXPANDED RATINGS HEATING PERFORMANCE

PDF2SFX24K

OUTDOOR TEMPERATURE (Deg. F)

CFM	Indoor T. Deg.F	10			17			20			30			40			47			50			60		
		MBH	COP	kW	MBH	COP	kW	MBH	COP	kW	MBH	COP	kW	MBH	COP	kW	MBH	COP	kW	MBH	COP	kW	MBH	COP	kW
700	60	11.1	2.01	1.62	13.5	2.40	1.65	14.5	2.56	1.66	17.8	3.09	1.70	21.2	3.59	1.73	23.6	3.93	1.76	24.6	4.07	1.77	27.9	4.53	1.81
	70	10.6	1.96	1.58	12.8	2.30	1.63	13.7	2.44	1.64	16.8	2.90	1.70	19.9	3.32	1.76	22.1	3.59	1.80	23.0	3.71	1.82	26.2	4.08	1.88
	80	10.0	1.87	1.57	12.0	2.18	1.61	12.9	2.31	1.64	15.7	2.71	1.70	18.6	3.08	1.77	20.6	3.32	1.82	21.5	3.42	1.84	24.4	3.74	1.91
800	60	11.2	1.97	1.66	13.6	2.36	1.69	14.6	2.52	1.70	18.0	3.05	1.73	21.4	3.56	1.77	23.8	3.90	1.79	24.9	4.04	1.80	28.3	4.51	1.84
	70	10.7	1.92	1.63	12.9	2.27	1.67	13.9	2.41	1.69	17.0	2.86	1.74	20.2	3.29	1.80	22.4	3.57	1.84	23.3	3.69	1.86	26.5	4.06	1.91
	80	10.1	1.84	1.60	12.2	2.15	1.65	13.0	2.28	1.68	16.0	2.68	1.75	18.9	3.05	1.82	21.0	3.29	1.87	21.9	3.39	1.89	24.8	3.71	1.96
900	60	11.3	1.95	1.71	13.7	2.33	1.73	14.8	2.50	1.74	18.2	3.02	1.77	21.7	3.53	1.80	24.1	3.88	1.82	25.1	4.03	1.83	28.6	4.50	1.86
	70	10.8	1.90	1.67	13.0	2.24	1.71	14.0	2.39	1.72	17.2	2.84	1.78	20.4	3.27	1.83	22.7	3.56	1.87	23.7	3.67	1.89	26.9	4.06	1.94
	80	10.2	1.82	1.64	12.3	2.13	1.69	13.2	2.25	1.72	16.1	2.65	1.79	19.1	3.01	1.86	21.2	3.25	1.91	22.1	3.35	1.93	25.0	3.67	2.00

PDF2SFX36K

OUTDOOR TEMPERATURE (Deg. F)

CFM	Indoor T. Deg.F	10			17			20			30			40			47			50			60		
		MBH	COP	kW	MBH	COP	kW	MBH	COP	kW	MBH	COP	kW	MBH	COP	kW	MBH	COP	kW	MBH	COP	kW	MBH	COP	kW
1000	60	15.8	2.15	2.15	19.0	2.54	2.20	20.4	2.70	2.22	25.1	3.22	2.29	29.8	3.71	2.35	33.1	4.04	2.40	34.5	4.18	2.42	39.2	4.61	2.49
	70	15.1	2.02	2.20	18.2	2.37	2.25	19.6	2.52	2.28	24.1	2.98	2.36	28.5	3.42	2.45	31.6	3.70	2.51	33.0	3.82	2.53	37.5	4.20	2.61
	80	14.5	1.89	2.26	17.5	2.21	2.33	18.8	2.34	2.35	23.0	2.76	2.44	27.3	3.15	2.54	30.2	3.41	2.60	31.5	3.51	2.63	35.7	3.85	2.72
1100	60	15.8	2.12	2.19	19.1	2.52	2.23	20.6	2.68	2.25	25.3	3.21	2.32	30.1	3.70	2.38	33.4	4.04	2.43	34.8	4.18	2.45	39.6	4.62	2.51
	70	15.2	2.00	2.23	18.4	2.36	2.29	19.8	2.50	2.31	24.3	2.97	2.39	28.8	3.41	2.47	32.0	3.70	2.53	33.3	3.82	2.55	37.8	4.21	2.63
	80	14.6	1.87	2.29	17.7	2.20	2.36	18.9	2.33	2.38	23.2	2.75	2.48	27.5	3.15	2.57	30.6	3.41	2.63	31.9	3.52	2.66	36.2	3.86	2.75
1200	60	15.9	2.10	2.22	19.3	2.49	2.27	20.7	2.66	2.28	25.5	3.19	2.35	30.3	3.69	2.41	33.7	4.03	2.45	35.1	4.17	2.47	39.9	4.62	2.53
	70	15.4	1.99	2.27	18.6	2.35	2.32	19.9	2.49	2.34	24.5	2.97	2.42	29.1	3.41	2.50	32.3	3.70	2.55	33.6	3.83	2.58	38.2	4.22	2.66
	80	14.8	1.86	2.33	17.8	2.18	2.39	19.1	2.32	2.42	23.4	2.74	2.50	27.7	3.14	2.59	30.8	3.40	2.66	32.1	3.51	2.68	36.4	3.85	2.77

PDF2SFX48K

OUTDOOR TEMPERATURE (Deg. F)

CFM	Indoor T. Deg.F	10			17			20			30			40			47			50			60		
		MBH	COP	kW	MBH	COP	kW	MBH	COP	kW	MBH	COP	kW	MBH	COP	kW	MBH	COP	kW	MBH	COP	kW	MBH	COP	kW
1500	60	22.4	1.88	3.49	26.6	2.24	3.48	28.5	2.40	3.48	34.5	2.92	3.46	40.6	3.45	3.45	44.9	3.83	3.44	46.7	3.99	3.43	52.8	4.53	3.42
	70	21.6	1.68	3.76	25.7	2.02	3.74	27.5	2.16	3.73	33.4	2.65	3.70	39.3	3.14	3.67	43.4	3.49	3.65	45.2	3.64	3.64	51.1	4.15	3.61
	80	21.1	1.52	4.05	25.0	1.83	4.02	26.7	1.96	4.01	32.4	2.40	3.96	38.1	2.85	3.92	42.1	3.17	3.88	43.8	3.31	3.87	49.4	3.79	3.83
1650	60	22.5	1.80	3.66	26.9	2.16	3.65	28.7	2.31	3.64	34.9	2.82	3.62	41.1	3.34	3.61	45.4	3.70	3.59	47.2	3.86	3.59	53.4	4.39	3.57
	70	21.8	1.63	3.92	26.0	1.96	3.90	27.8	2.10	3.89	33.8	2.57	3.86	39.7	3.05	3.82	43.9	3.39	3.80	45.7	3.54	3.79	51.7	4.03	3.76
	80	21.2	1.47	4.22	25.3	1.77	4.19	27.0	1.90	4.17	32.7	2.33	4.12	38.5	2.78	4.07	42.6	3.10	4.03	44.3	3.24	4.01	50.1	3.70	3.96
1800	60	22.6	1.71	3.86	27.0	2.05	3.85	28.9	2.20	3.84	35.1	2.69	3.82	41.4	3.19	3.81	45.8	3.54	3.79	47.7	3.69	3.79	54.0	4.20	3.77
	70	22.1	1.56	4.13	26.3	1.88	4.10	28.1	2.01	4.09	34.1	2.34	4.27	40.1	2.93	4.02	44.4	3.26	3.99	46.2	3.40	3.98	52.2	3.88	3.94
	80	21.4	1.42	4.42	25.5	1.70	4.38	27.2	1.83	4.36	33.0	2.13	4.54	38.9	2.68	4.25	42.9	2.99	4.21	44.7	3.12	4.20	50.5	3.57	4.14

PDF2SFX60K

OUTDOOR TEMPERATURE (Deg. F)

CFM	Indoor T. Deg.F	10			17			20			30			40			47			50			60		
		MBH	COP	kW	MBH	COP	kW	MBH	COP	kW	MBH	COP	kW	MBH	COP	kW	MBH	COP	kW	MBH	COP	kW	MBH	COP	kW
1600	60	29.4	2.34	3.69	34.7	2.67	3.81	37.0	2.81	3.86	44.6	3.24	4.04	52.3	3.63	4.22	57.6	3.89	4.34	59.9	4.00	4.39	67.5	4.33	4.57
	70	28.5	2.10	3.97	33.7	2.41	4.10	35.9	2.54	4.15	43.4	2.95	4.32	50.9	3.32	4.50	56.1	3.56	4.62	58.4	3.66	4.67	65.9	3.98	4.85
	80	28.0	1.92	4.28	33.1	2.20	4.40	35.2	2.32	4.46	42.5	2.69	4.64	49.8	3.03	4.82	54.9	3.25	4.95	57.0	3.34	5.00	64.3	3.64	5.18
1800	60	29.7	2.34	3.72	35.1	2.68	3.83	37.4	2.82	3.88	45.1	3.27	4.05	52.9	3.68	4.21	58.3	3.95	4.33	60.6	4.06	4.38	68.4	4.42	4.54
	70	28.8	2.11	4.00	34.1	2.43	4.11	36.4	2.56	4.16	43.9	2.98	4.32	51.5	3.37	4.49	56.8	3.62	4.60	59.1	3.73	4.65	66.6	4.06	4.81
	80	28.2	1.92	4.31	33.4	2.21	4.42	35.6	2.33	4.47	42.9	2.72	4.64	50.3	3.08	4.80	55.5	3.31	4.91	57.7	3.41	4.96	65.1	3.73	5.12
2000	60	29.7	2.32	3.75	35.2	2.67	3.86	37.6	2.82	3.91	45.5	3.28	4.07	53.4	3.70	4.23	58.9	3.98	4.34	61.3	4.09	4.39	69.2	4.46	4.55
	70	29.2	2.12	4.04	34.5	2.44	4.14	36.8	2.58	4.19	44.4	3.00	4.34	52.1	3.40	4.49	57.4	3.66	4.60	59.7	3.77	4.65	67.3	4.11	4.80
	80	28.5	1.92	4.34	33.7	2.22	4.45	35.9	2.35	4.49	43.4	2.74	4.64	50.8	3.11	4.79	56.1	3.36	4.90	58.3	3.46	4.94	65.7	3.79	5.09



**MAYTAG**

Before purchasing this appliance, read important energy cost and efficiency information available from your retailer. Specifications and illustrations subject to change without notice and without incurring obligations.

Manufactured under license by NORDYNE, O'Fallon, MO. ©Registered Trademark/™ Trademark of Maytag Corporation or its related companies. ©2013. All rights reserved.

664D-0313 (Replaces 664D-0112)

Printed in U.S.A. (03/13)