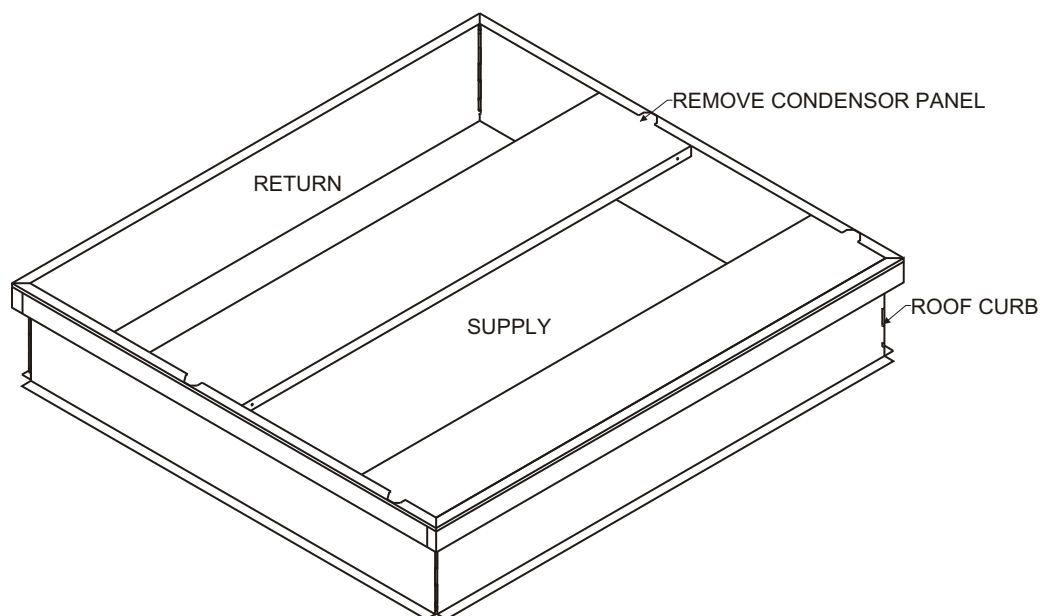
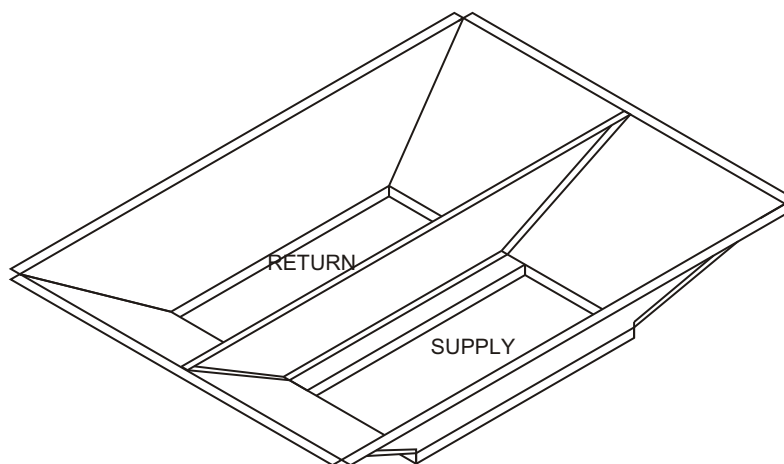


INSTALLATION INSTRUCTIONS

INSTALLATION INSTRUCTIONS FOR 555635 / 555636 CONCENTRIC CURB TRANSITION USED WITH GR4GM 150/180 UNITS

FORM# 657B-0808 (657B-0604)

The Concentric Curb Transition is designed to drop into the curb and convert the rectangular duct unit connections to duct sizes shown in table. For application of Flush Mount or Step Down Concentric Diffusers with 555617, 555618, 555619, & 555620 roof curb assembly.



MODEL#	DUCT SIZE
555635	18 x 32 RECTANGLE
555636	18 x 36 RECTANGLE

Step 1:

Check for correct part number listed above.

Step 2:

Remove condensor panel from roof curb.

Step 3:

Install transition in supply/return opening in roof curb.

Step 4:

Place $\frac{3}{4}$ " x $1\frac{1}{4}$ " gasket (included with the curb only) as instructed in roof curb installation sheet.

SUPERSEDES 10-25-04
SEPTEMBER 2, 2008

© Nortek Global HVAC, LLC 2015. All Rights Reserved.

NEITRN10