

INSTALLATION INSTRUCTIONS

INSTALLATION OF CO₂ SENSOR WITH HONEYWELL
M7415A MOTOR & W7459A LOGIC MODULE
547848

GR4GM 072, P6SD, Q6SD, R6GD 024-060 UNITS

FORM# 602A-0808 (602A-0298)

WARNING: BEFORE INSTALLING READ ALL OF THE MANUFACTURERS INSTALLATION AND MAINTENANCE INSTRUCTIONS

Step 1:

Check for the correct number of parts. See list below:

- 1 ea. CO₂ Sensor
- 1 ea. CO₂ Sensor Base
- 1 ea. 0-10 VDC Potentiometer Signal Converter
(Honeywell Q769C)
- 1 ea. 4" Violet Wire
- 1 ea. 4" Red Wire

Step 2:

Mount CO₂ Sensor base on wall. Route wires (raw end) through square hole in base and connect per wiring diagrams.

Step 3:

Attach CO₂ Sensor.

Step 4:

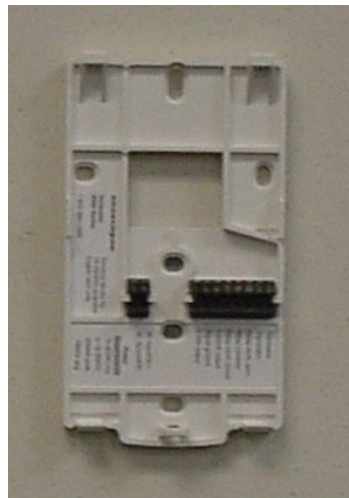
If the unit has a W7459 Economizer Control, install the Honeywell Q769C potentiometer signal converter.

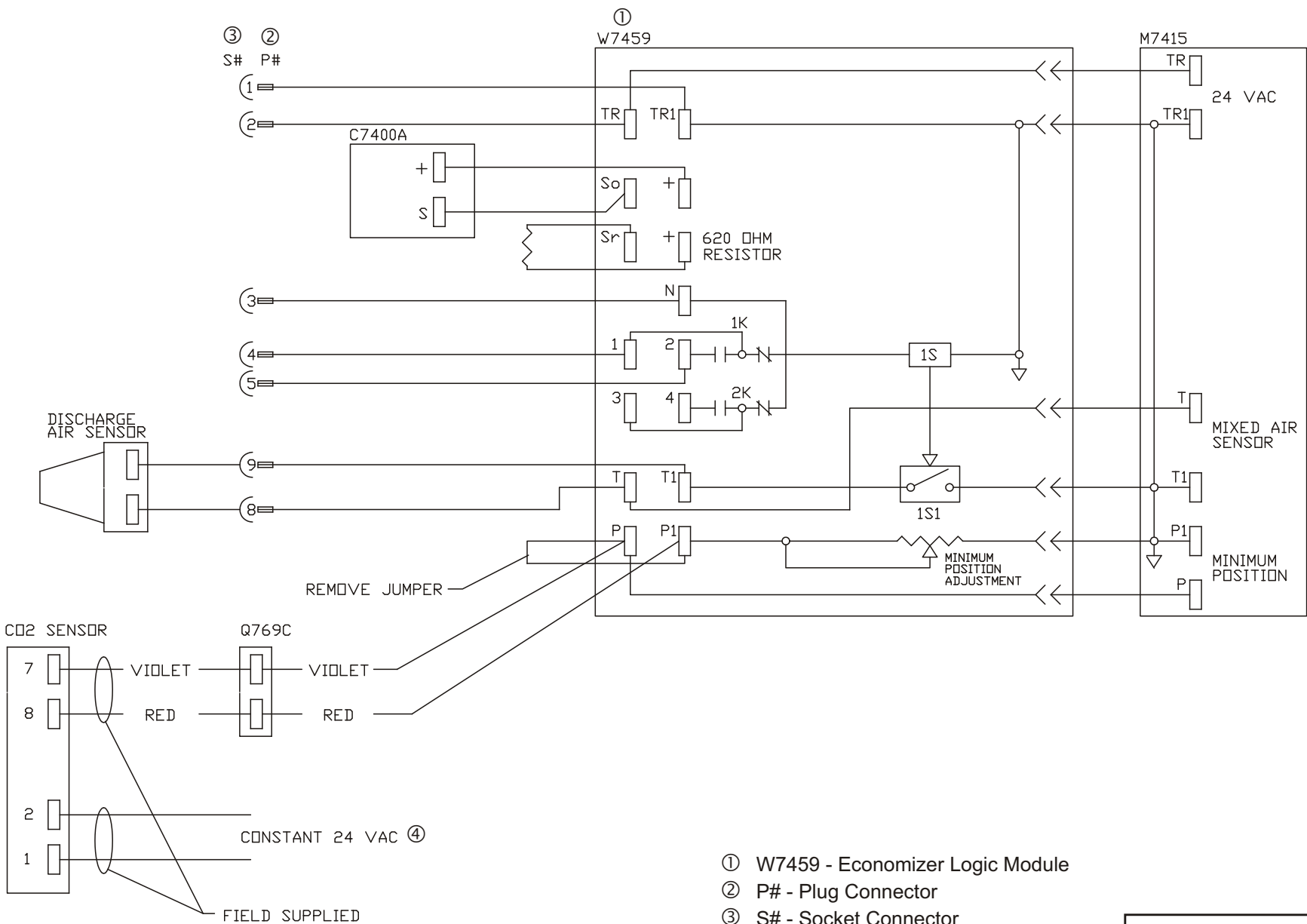
Step 5:

Make sure to secure the Q769C device using the included wire ties. Disconnect the (P-P1) jumper from the economizer control located on the actuator and connect the Q769C per wiring Diagram # **01CO201**.

Step 6:

For **W7459** Economizer Controller applications power the CO₂ device via a properly protected, field supplied, non-grounded transformer of the appropriate primary and secondary voltage per the attached Diagram # **01CO201**. Program the CO₂ sensor per the specifications, provided with the accessory, to suit the application.





- ① W7459 - Economizer Logic Module
- ② P# - Plug Connector
- ③ S# - Socket Connector
- ④ Transformer must not be grounded

Note: The socket and plug numbers change per unit.

Date: January 30, 2004

Supersedes: 06-03-03

Diagram# 01CO201