

# INSTALLATION INSTRUCTIONS

INSTALLATION INSTRUCTIONS  
547840  
35% MOTORIZED FRESH AIR USED WITH R4GM 072  
P6SD, Q6SD, R6GD 024-060 UNITS

FORM# 598A-0709 (598A-0808)

The 0-35% manual outside air system is designed to replace the unit duct cover. No drilling on the unit or field assembly is required. A 2-position control motor opens the intake damper when the blower is energized. The amount of air is controlled by a slide damper on the outside air hood assembly. The intake panel is fully insulated.

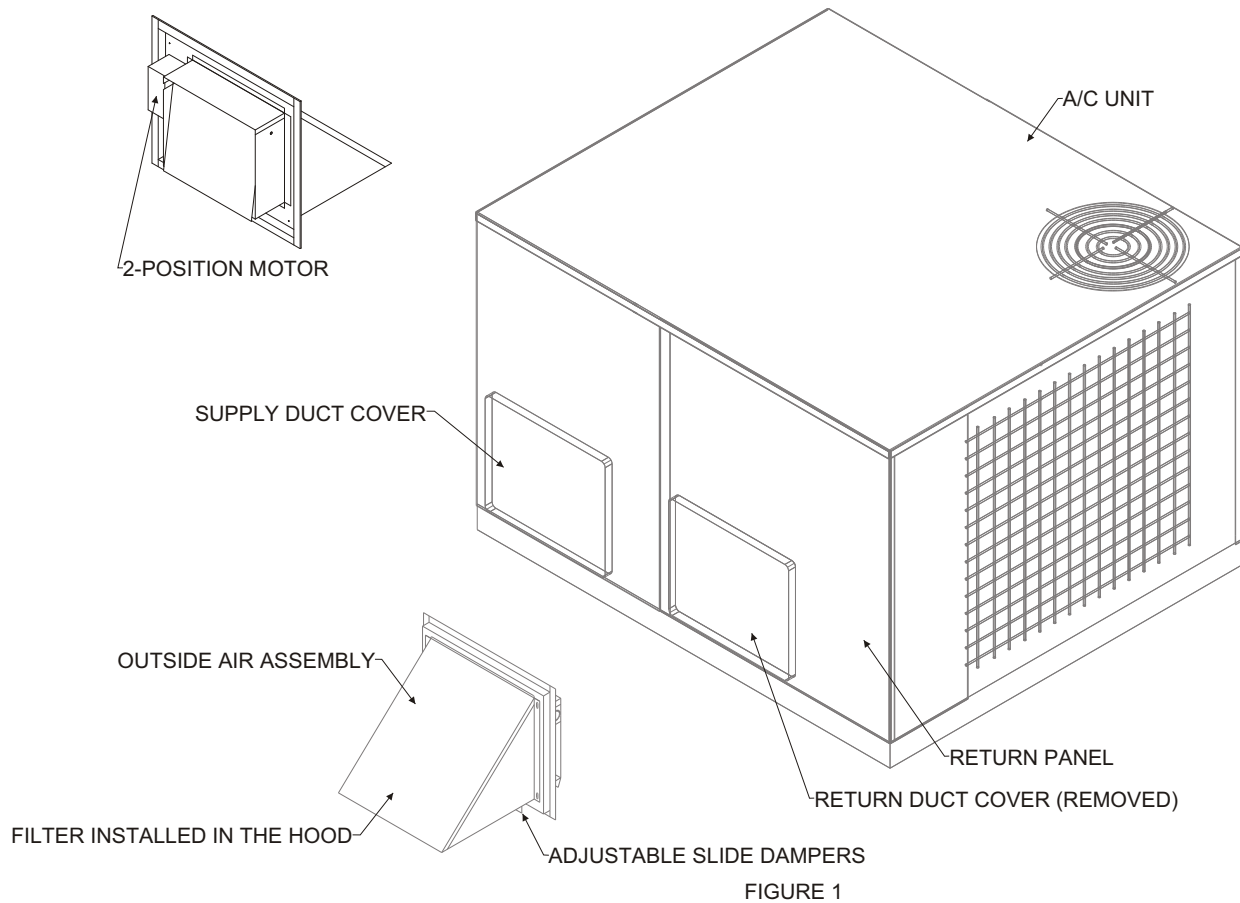


FIGURE 1

## Step 1:

Check for correct number of parts. See list below:

1 ea. - Outside Air Intake damper assembly with hood and slide dampers.

## Step 2:

Remove return air duct cover from unit, and retain the screws for later use.

## Step 3:

Remove unit return panel. Locate unit accessory plug at top of return air compartment and connect to accessory low voltage plug connection per diagram on back of this instruction sheet.

## Step 4:

Install outside air assembly as shown in Figure 1 over duct opening with the screws removed in Step 2.

## Step 5:

Adjust the slide damper to the desired position.

**NOTE:** It will be necessary to remove intake hood, so the second slide damper can be removed, if the full amount of outside air is required.

**HARNESS DETAIL**

E# = WIRE END DESIGNATION  
 E2 STUD #6 18 Ga. Wire  
 E3 Female ¼ Quick Disc.  
 E4 Male ¼ Quick Disc. Insul  
 E6 Wire Nut Size 73B

**COMPONENT CODE**

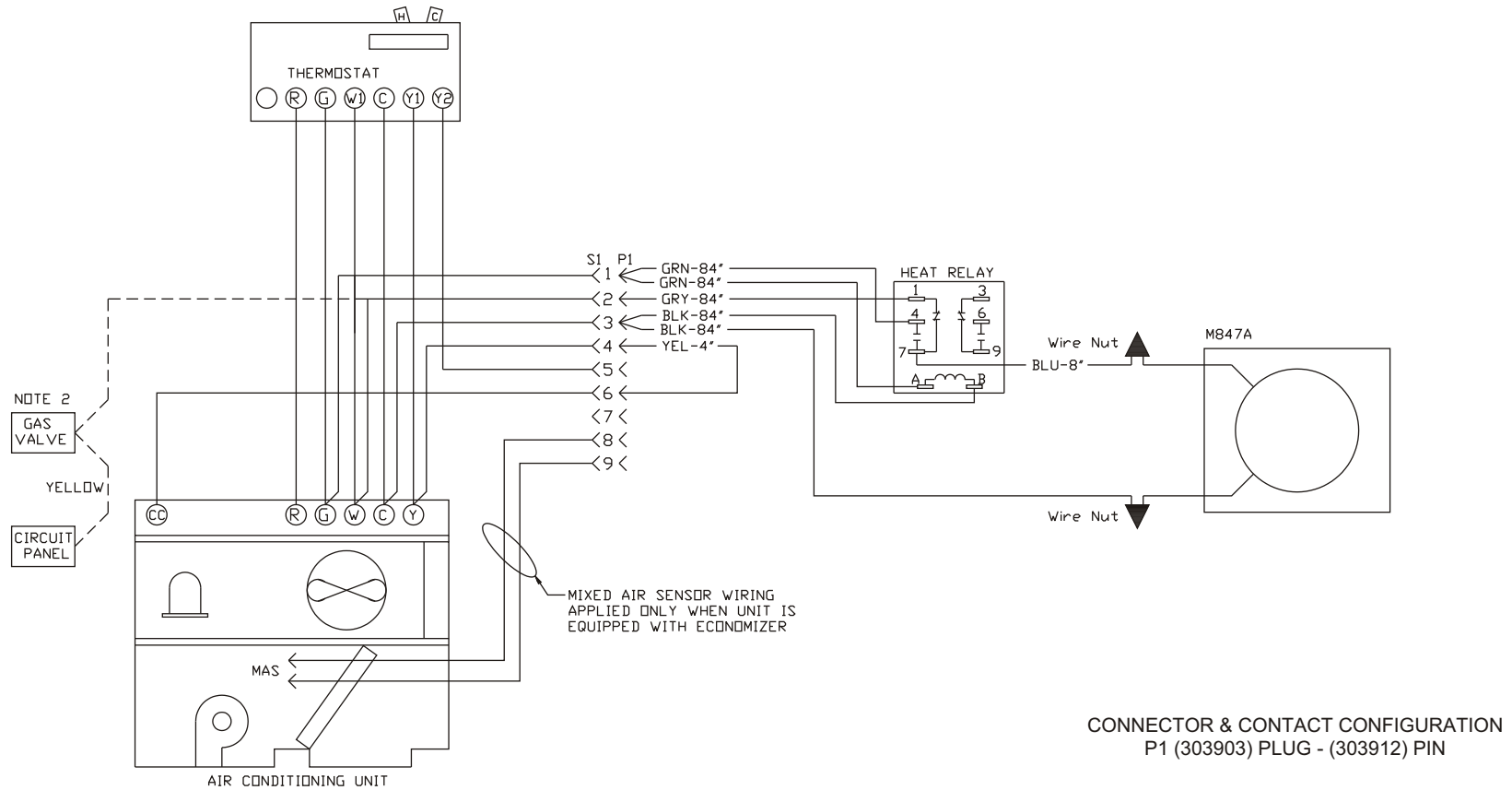
CC Compressor Contactor  
 MAS Mixed Air Sensor  
 M847A Damper Actuator 24V  
 P1 Economizer Plug  
 S1 Unit Economizer Plug

**WIRE COLOR CODE**

BLK Black  
 BLU Blue  
 GRN Green  
 GRY Gray  
 ORN Orange  
 RED Red  
 VIO Violet  
 WHT White  
 YEL Yellow

Revision	Change	Date
A	Added jumper, MAS, and CC	06-26-09

**HARNESS ENDS AT P1**



**Notes:**

- Unit wiring shown as reference only. Check unit wiring diagram for actual unit wiring.
- The connection is at gas valve on "R4" units. The "Q4" and "P4" connection is at "W".

**0-35% Motorized Outside Air  
 R4GM 072, P6SD, Q6SD, R6GD 024-060**

Date: June 29, 2009
Supercedes: 01-17-00
Drawn by: MGL
Unit #: 47-287-06
Diagram#: 4728706W
Approved by: