

TECHNICAL SPECIFICATIONS

(*)G7SD

**High Efficiency,
Single Stage, Condensing
Upflow Gas Furnace Models
Up to 95.0 AFUE
38,000 - 115,000 Btuh Input**

The high efficiency upflow gas furnace may be installed free standing in a utility room, basement, or enclosed in an alcove or closet. The extended flush jacket provides a pleasing “appliance appearance.”

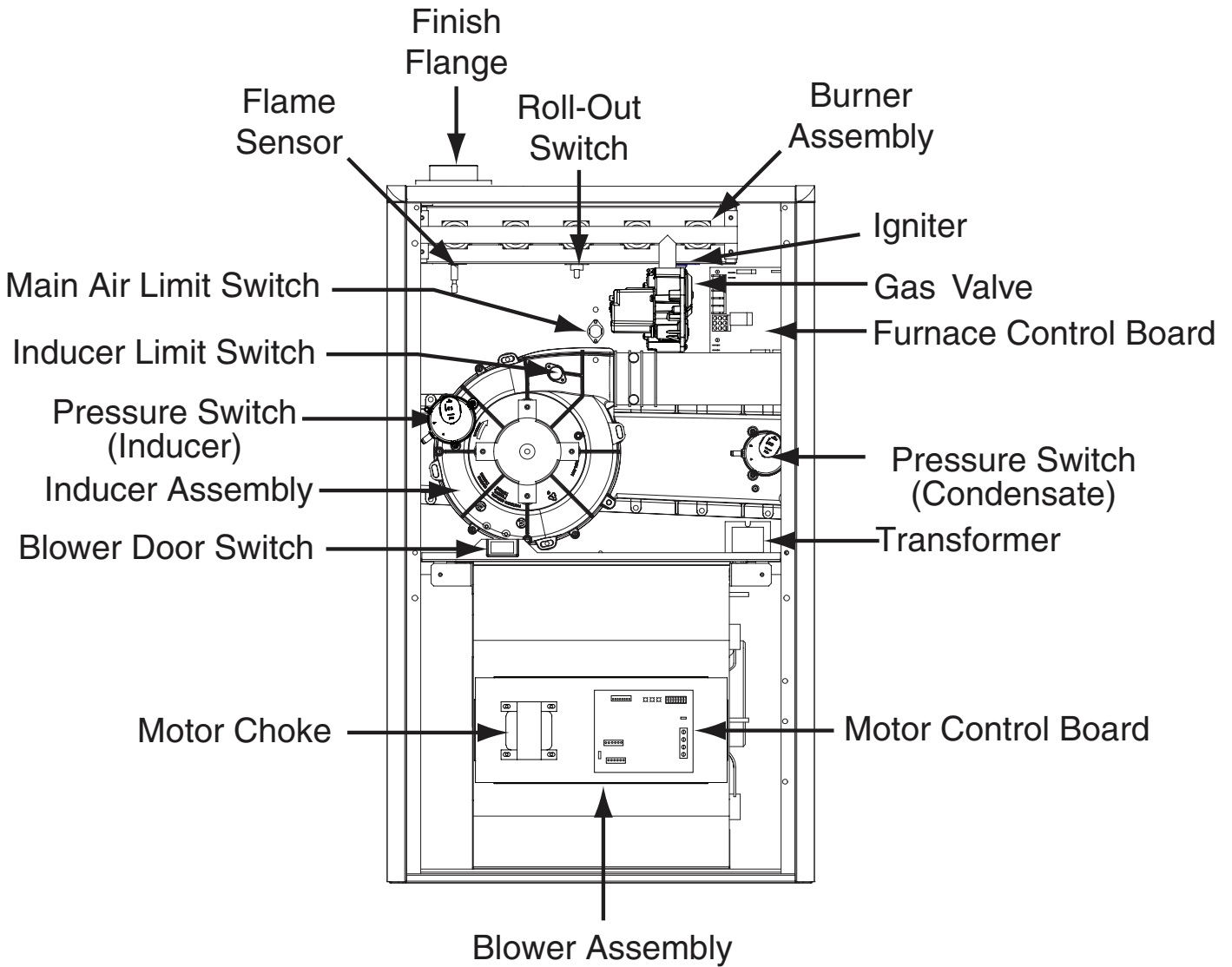


For California installations in SCAQMD only: This furnace does not meet the SCAQMD Rule 1111 or SJVPACD Rule 4905 NOx emission limit (14 ng/J).

FEATURES and BENEFITS

- **100% fired and tested:** All units and each component are tested on the manufacturing line.
- **Best packaging in the industry:** Unique corner post design assures product will arrive to the homeowner dent free.
- **30 second blower delay** at start-up assures a warm duct temperature at furnace start-up. Adjustable blower off settings (60, 90, 120 and 180 seconds).
- **30 second post purge** increases life of heat exchanger.
- **Hot surface igniter:** Innovative application of a silicon nitride type igniter. Utilizes proven Smartlite® technology.
- **Color coded wire harness:** Designed to fit the components, all with quick-connect fittings for ease of service and replacement.
- **Flexible category IV venting system:** May be vertically or horizontally vented using either a one-pipe or two-pipe system for maximum flexibility in installation.
- **High Static Blowers:** All models equipped with high static blowers.
- **Low Boy Height:** Easy to apply in low ceiling applications, works well with taller high SEER coils, easier to handle and install.
- **Tubular primary heat exchanger:** Heavy gauge aluminized steel heat exchanger and stainless steel secondary heat exchanger assures a long life.
- **60 second fixed cooling cycle blower-off delay (TDR)** increases cooling performance when matched with a Nortek Global HVAC coil.
- **Multi-speed direct drive blower:** Designed to give a wide range of cooling capacities. Dip switches on PCB provide easy motor speed selection.
- **LP convertible:** Simple burner orifice and regulator spring change for ease of convertibility.
- **Incorporates integrated control board** with connections for electronic air cleaner and humidifier.
- **Two piece door design** enhances furnace appearance and uses captured screws to prevent losing door screws.
- **Blower Compartment:** Sealed door to reduce air leakage and insulated for ultra quiet operation.
- **Sealed Vestibule** reduces burner and inducer sound levels.
- **Furnace Air Leakage:** These furnaces comply with Energy Star cabinet air leakage requirement of less than or equal to 2%. Keep the conditioned air flowing to where it's needed.
- **PolyPro by DuraVent:** These furnaces have been tested with and are approved to be installed with DuraVent's PolyPro venting system.

GAS FURNACE COMPONENTS

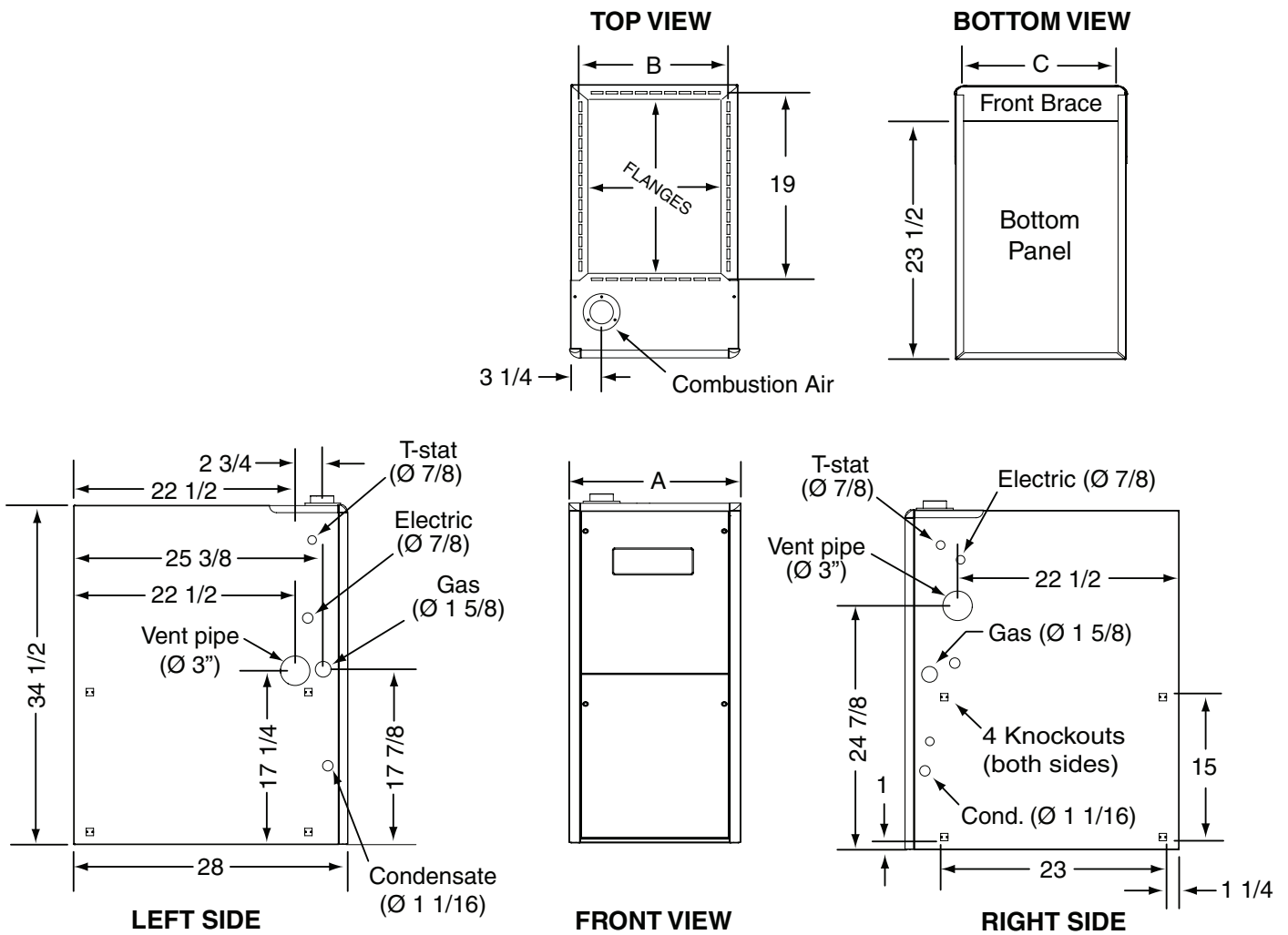


(*)G7SD Series - Upflow Furnace

DIMENSIONS

(*)G7SD Upflow Furnaces			
Model #'s	Dim. -A-	Dim -B-	Dim -C-
038D-T24B	17 1/2	15 7/8	16 1/8
054D-T24B			
072D-T35C	21	19 3/8	19 5/8
090D-T35C			
108D-T45D	24 1/2	22 7/8	23 1/8
120D-T45D			

NOTE: Dimensions shown in inches.



(*)G7SD Series - Upflow Furnace

BLOWER PERFORMANCE - (*)G7SD

HEATING AIRFLOW (CFM) & TEMPERATURE RISE (°F)											
Model Number & Heating Input (Btuh)	Motor Speed	External Static Pressure (in. w.c.)									
		0.1		0.2		0.3		0.4		0.5	
		CFM	RISE	CFM	RISE	CFM	RISE	CFM	RISE	CFM	RISE
SD038D-T24B Bottom Return (38,000)	5 - High*										
	4 - Alternate										
	3 - Med-High**			1,340	25	1,300	26	1,260	27	1,215	28
	2 - Med-Low	1,185	28	1,140	29	1,100	30	1,055	32	1,010	33
	1 - Low***	985	34	945	35	900	37	855	39	800	42
SD038D-T24B Side Return (38,000)	5 - High*										
	4 - Alternate										
	3 - Med-High**			1,325	25	1,285	26	1,245	27	1,205	28
	2 - Med-Low	1,180	28	1,135	29	1,100	30	1,055	32	1,005	33
	1 - Low***	980	34	935	36	890	38	845	40	790	42

COOLING AIRFLOW (CFM)										
Model Number & Heating Input (Btuh)	Motor Speed	External Static Pressure (in. w.c.)								
		0.1	0.2	0.3	0.4	0.5	0.6	0.7	0.8	
		CFM	CFM	CFM	CFM	CFM	CFM	CFM	CFM	CFM
SD038D-T24B Bottom Return (38,000)	5 - High*	1,765	1,720	1,680	1,640	1,600	1,560	1,515	1,480	
	4 - Alternate	1,560	1,520	1,480	1,440	1,400	1,360	1,315	1,270	
	3 - Med-High**	1,380	1,340	1,300	1,260	1,215	1,175	1,125	1,090	
	2 - Med-Low	1,185	1,140	1,100	1,055	1,010	970	915	875	
	1 - Low***	985	945	900	855	800	760	705	665	
SD038D-T24B Side Return (38,000)	5 - High*	1,750	1,710	1,675	1,635	1,600	1,565	1,520	1,475	
	4 - Alternate	1,550	1,510	1,465	1,425	1,385	1,350	1,310	1,265	
	3 - Med-High**	1,365	1,325	1,285	1,245	1,205	1,165	1,115	1,070	
	2 - Med-Low	1,180	1,135	1,100	1,055	1,005	965	920	865	
	1 - Low***	980	935	890	845	790	745	685	635	

NOTES:

1. To comply with government mandated efficiency standards, two openings are required for airflows above 1,600 CFM.
2. Data is shown without filter.
3. Temperature rises in the table are approximate. Actual temperature rises may vary.
4. Individual cells shaded in gray indicate a temperature rise outside of the recommended range.
5. To comply with government mandated efficiency standards, speed settings shaded in gray are not allowed in HEAT mode.
6. Unit ships with (4) speeds pre-wired. Use of the fifth speed will require changing the appropriate wires at the motor connection. Consult the wiring diagram for more information.

* Factory Set Cool

** Factory Set Heat

*** Factory Set Circulation

BLOWER PERFORMANCE - (*)G7SD Continued

HEATING AIRFLOW (CFM) & TEMPERATURE RISE (°F)											
Model Number & Heating Input (Btuh)	Motor Speed	External Static Pressure (in. w.c.)									
		0.1		0.2		0.3		0.4		0.5	
		CFM	RISE	CFM	RISE	CFM	RISE	CFM	RISE	CFM	RISE
SD054D-T24B Bottom Return (54,000)	5 - High*										
	4 - Alternate										
	3-Med-High**	1,290	37	1,245	38	1,215	39	1,170	41	1,130	42
	2 - Med-Low	1,160	41	1,125	42	1,080	44	1,040	46	995	48
	1 - Low***	880	54	830	57						
SD054D-T24B Side Return (54,000)	5 - High*										
	4 - Alternate										
	3-Med-High**	1,275	37	1,230	39	1,190	40	1,155	41	1,110	43
	2 - Med-Low	1,140	42	1,100	43	1,055	45	1,010	47	960	49
	1 - Low***	860	55	805	59						
SD054D-T24B Side + Bottom Return (54,000)	5 - High*										
	4 - Alternate										
	3-Med-High**	1,275	37	1,235	38	1,190	40	1,155	41	1,120	42
	2 - Med-Low	1,160	41	1,120	42	1,070	44	1,030	46	990	48
	1 - Low***	870	55	835	57						

COOLING AIRFLOW (CFM)										
Model Number & Heating Input (Btuh)	Motor Speed	External Static Pressure (in. w.c.)								
		0.1	0.2	0.3	0.4	0.5	0.6	0.7	0.8	
		CFM	CFM	CFM	CFM	CFM	CFM	CFM	CFM	
SD054D-T24B Bottom Return (54,000)	5 - High*	1,825	1,790	1,750	1,715	1,680	1,640	1,600	1,565	
	4 - Alternate	1,510	1,470	1,425	1,390	1,345	1,305	1,260	1,215	
	3-Med-High**	1,290	1,245	1,215	1,170	1,130	1,085	1,050	1,015	
	2 - Med-Low	1,160	1,125	1,080	1,040	995	960	915	875	
	1 - Low***	880	830	775	735	680	645	595	570	
SD054D-T24B Side Return (54,000)	5 - High*	1,825	1,795	1,755	1,720	1,685	1,645	1,605	1,570	
	4 - Alternate	1,500	1,450	1,415	1,375	1,330	1,295	1,255	1,210	
	3-Med-High**	1,275	1,230	1,190	1,155	1,110	1,065	1,025	980	
	2 - Med-Low	1,140	1,100	1,055	1,010	960	930	880	835	
	1 - Low***	860	805	765	700	660	615	560	520	
SD054D-T24B Side + Bottom Return (54,000)	5 - High*	1,845	1,805	1,770	1,740	1,705	1,665	1,630	1,595	
	4 - Alternate	1,505	1,455	1,420	1,380	1,340	1,295	1,260	1,215	
	3-Med-High**	1,275	1,235	1,190	1,155	1,120	1,085	1,040	1,000	
	2 - Med-Low	1,160	1,120	1,070	1,030	990	950	900	860	
	1 - Low***	870	835	785	740	695	630	585	535	

NOTES:

1. To comply with government mandated efficiency standards, two openings are required for airflows above 1,600 CFM.
2. Data is shown without filter.
3. Temperature rises in the table are approximate. Actual temperature rises may vary.
4. Individual cells shaded in gray indicate a temperature rise outside of the recommended range.
5. To comply with government mandated efficiency standards, speed settings shaded in gray are not allowed in HEAT mode.
6. Unit ships with (4) speeds pre-wired. Use of the fifth speed will require changing the appropriate wires at the motor connection. Consult the wiring diagram for more information.

* Factory Set Cool
 ** Factory Set Heat
 *** Factory Set Circulation

BLOWER PERFORMANCE - (*)G7SD Continued

HEATING AIRFLOW (CFM) & TEMPERATURE RISE (°F)											
Model Number & Heating Input (Btuh)	Motor Speed	External Static Pressure (in. w.c.)									
		0.1		0.2		0.3		0.4		0.5	
		CFM	RISE	CFM	RISE	CFM	RISE	CFM	RISE	CFM	RISE
SD072D-T35C Bottom Return (72,000)	5 - High*										
	4 - Alternate										
	3 - Med-High**	1,560	41	1,505	42	1,450	44	1,395	45	1,340	47
	2 - Med-Low	1,465	43	1,410	45	1,360	47	1,310	48	1,250	51
	1 - Low***	1,150	55	1,075	59	1,025	62				
SD072D-T35C Side Return (72,000)	5 - High*										
	4 - Alternate										
	3 - Med-High**	1,560	41	1,505	42	1,450	44	1,395	45	1,335	47
	2 - Med-Low	1,465	43	1,410	45	1,360	47	1,315	48	1,250	51
	1 - Low***	1,150	55	1,085	58	1,020	62	970	65		
SD072D-T35C Side + Bottom Return (72,000)	5 - High*										
	4 - Alternate										
	3 - Med-High**	1,555	41	1,505	42	1,450	44	1,400	45	1,345	47
	2 - Med-Low	1,465	43	1,410	45	1,355	47	1,305	49	1,250	51
	1 - Low***	1,150	55	1,070	59	1,030	61				

COOLING AIRFLOW (CFM)										
Model Number & Heating Input (Btuh)	Motor Speed	External Static Pressure (in. w.c.)								
		0.1	0.2	0.3	0.4	0.5	0.6	0.7	0.8	
		CFM	CFM	CFM	CFM	CFM	CFM	CFM	CFM	CFM
SD072D-T35C Bottom Return (72,000)	5 - High*	2,025	1,975	1,930	1,880	1,830	1,785	1,735	1,685	
	4 - Alternate	1,815	1,765	1,715	1,665	1,615	1,555	1,500	1,445	
	3 - Med-High**	1,560	1,505	1,450	1,395	1,340	1,285	1,230	1,180	
	2 - Med-Low	1,465	1,410	1,360	1,310	1,250	1,200	1,140	1,075	
	1 - Low***	1,150	1,075	1,025	965	895	835	780	720	
SD072D-T35C Side Return (72,000)	5 - High*	2,010	1,965	1,915	1,870	1,820	1,775	1,725	1,675	
	4 - Alternate	1,800	1,760	1,710	1,660	1,605	1,545	1,490	1,435	
	3 - Med-High**	1,560	1,505	1,450	1,395	1,335	1,280	1,225	1,170	
	2 - Med-Low	1,465	1,410	1,360	1,315	1,250	1,200	1,135	1,070	
	1 - Low***	1,150	1,085	1,020	970	910	845	780	730	
SD072D-T35C Side + Bottom Return (72,000)	5 - High*	2,035	1,985	1,945	1,895	1,845	1,795	1,740	1,690	
	4 - Alternate	1,825	1,775	1,725	1,675	1,625	1,565	1,510	1,460	
	3 - Med-High**	1,555	1,505	1,450	1,400	1,345	1,290	1,235	1,185	
	2 - Med-Low	1,465	1,410	1,355	1,305	1,250	1,200	1,145	1,075	
	1 - Low***	1,150	1,070	1,030	960	885	825	775	715	

NOTES:

1. To comply with government mandated efficiency standards, two openings are required for airflows above 1,600 CFM.
2. Data is shown without filter.
3. Temperature rises in the table are approximate. Actual temperature rises may vary.
4. Individual cells shaded in gray indicate a temperature rise outside of the recommended range.
5. To comply with government mandated efficiency standards, speed settings shaded in gray are not allowed in HEAT mode.
6. Unit ships with (4) speeds pre-wired. Use of the fifth speed will require changing the appropriate wires at the motor connection. Consult the wiring diagram for more information.

* Factory Set Cool
 ** Factory Set Heat
 *** Factory Set Circulation

BLOWER PERFORMANCE - (*)G7SD Continued

HEATING AIRFLOW (CFM) & TEMPERATURE RISE (°F)											
Model Number & Heating Input (Btuh)	Motor Speed	External Static Pressure (in. w.c.)									
		0.1		0.2		0.3		0.4		0.5	
		CFM	RISE	CFM	RISE	CFM	RISE	CFM	RISE	CFM	RISE
SD090D-T35C Bottom Return (85,000)	5 - High*										
	4 - Alternate										
	3 - Med-High**	1,605	47	1,545	48	1,490	50	1,430	52	1,375	54
	2 - Med-Low	1,445	52	1,385	54	1,320	57	1,260	59	1,200	62
	1 - Low***										
SD090D-T35C Side Return (85,000)	5 - High*										
	4 - Alternate										
	3 - Med-High**	1,595	47	1,535	49	1,480	51	1,420	53	1,365	55
	2 - Med-Low	1,435	52	1,375	54	1,315	57	1,255	60	1,190	63
	1 - Low***										
SD090D-T35C Side + Bottom Return (85,000)	5 - High*										
	4 - Alternate										
	3 - Med-High**	1,625	46	1,565	48	1,510	50	1,450	52	1,395	54
	2 - Med-Low	1,460	51	1,400	53	1,335	56	1,275	59	1,215	62
	1 - Low***										

COOLING AIRFLOW (CFM)									
Model Number & Heating Input (Btuh)	Motor Speed	External Static Pressure (in. w.c.)							
		0.1	0.2	0.3	0.4	0.5	0.6	0.7	0.8
		CFM	CFM	CFM	CFM	CFM	CFM	CFM	CFM
SD090D-T35C Bottom Return (85,000)	5 - High*	2,125	2,075	2,020	1,970	1,915	1,865	1,810	1,760
	4 - Alternate	1,790	1,740	1,685	1,630	1,575	1,520	1,465	1,415
	3 - Med-High**	1,605	1,545	1,490	1,430	1,375	1,320	1,265	1,205
	2 - Med-Low	1,445	1,385	1,320	1,260	1,200	1,140	1,075	1,015
	1 - Low***	990	905	825	745	665	580	500	420
SD090D-T35C Side Return (85,000)	5 - High*	2,115	2,065	2,010	1,960	1,905	1,855	1,800	1,750
	4 - Alternate	1,780	1,725	1,670	1,615	1,560	1,505	1,450	1,395
	3 - Med-High**	1,595	1,535	1,480	1,420	1,365	1,310	1,255	1,195
	2 - Med-Low	1,435	1,375	1,315	1,255	1,190	1,130	1,070	1,010
	1 - Low***	990	910	830	750	670	585	505	425
SD090D-T35C Side + Bottom Return (85,000)	5 - High*	2,155	2,105	2,050	1,995	1,945	1,890	1,840	1,785
	4 - Alternate	1,820	1,770	1,715	1,665	1,610	1,560	1,505	1,455
	3 - Med-High**	1,625	1,565	1,510	1,450	1,395	1,340	1,280	1,225
	2 - Med-Low	1,460	1,400	1,335	1,275	1,215	1,155	1,090	1,030
	1 - Low***	985	900	820	735	655	570	485	405

NOTES:

1. To comply with government mandated efficiency standards, two openings are required for airflows above 1,600 CFM.
2. Data is shown without filter.
3. Temperature rises in the table are approximate. Actual temperature rises may vary.
4. Individual cells shaded in gray indicate a temperature rise outside of the recommended range.
5. To comply with government mandated efficiency standards, speed settings shaded in gray are not allowed in HEAT mode.
6. Unit ships with (4) speeds pre-wired. Use of the fifth speed will require changing the appropriate wires at the motor connection. Consult the wiring diagram for more information.

* Factory Set Cool
 ** Factory Set Heat
 *** Factory Set Circulation

BLOWER PERFORMANCE - (*)G7SD Continued

HEATING AIRFLOW (CFM) & TEMPERATURE RISE (°F)											
Model Number & Heating Input (Btuh)	Motor Speed	External Static Pressure (in. w.c.)									
		0.1		0.2		0.3		0.4		0.5	
		CFM	RISE	CFM	RISE	CFM	RISE	CFM	RISE	CFM	RISE
SD0108D-T45D Bottom Return (108,000)	5 - High*										
	4 - Med-High**	1,965	48	1,905	50	1,840	52	1,790	53	1,740	55
	3 - Med-Low	1,685	56	1,620	59	1,560	61	1,500	63	1,435	66
	2 - Alternate	1,500	63								
	1 - Low***										
SD0108D-T45D Side Return (108,000)	5 - High*										
	4 - Med-High**	1,935	49	1,875	51	1,810	52	1,755	54	1,705	56
	3 - Med-Low	1,660	57	1,595	60	1,525	62	1,465	65		
	2 - Alternate	1,455	65								
	1 - Low***										
SD0108D-T45D Side + Bottom Return (108,000)	5 - High*										
	4 - Med-High**	1,995	48	1,935	49	1,875	51	1,825	52	1,775	54
	3 - Med-Low	1,705	56	1,640	58	1,590	60	1,535	62	1,470	65
	2 - Alternate	1,545	61	1,460	65						
	1 - Low***										

COOLING AIRFLOW (CFM)										
Model Number & Heating Input (Btuh)	Motor Speed	External Static Pressure (in. w.c.)								
		0.1	0.2	0.3	0.4	0.5	0.6	0.7	0.8	
		CFM	CFM	CFM	CFM	CFM	CFM	CFM	CFM	
SD0108D-T45D Bottom Return (108,000)	5 - High*	2,295	2,240	2,190	2,140	2,090	2,035	2,005	2,015	
	4 - Med-High**	1,965	1,905	1,840	1,790	1,740	1,680	1,650	1,610	
	3 - Med-Low	1,685	1,620	1,560	1,500	1,435	1,385	1,335	1,275	
	2 - Alternate	1,500	1,420	1,355	1,295	1,235	1,175	1,110	1,055	
	1 - Low***	1,045	950	845	760	670	595	525	460	
SD0108D-T45D Side Return (108,000)	5 - High*	2,260	2,210	2,160	2,110	2,060	2,010	1,980	1,990	
	4 - Med-High**	1,935	1,875	1,810	1,755	1,705	1,650	1,630	1,590	
	3 - Med-Low	1,660	1,595	1,525	1,465	1,400	1,350	1,295	1,230	
	2 - Alternate	1,455	1,380	1,310	1,250	1,190	1,130	1,060	1,005	
	1 - Low***	1,030	920	820	735	640	580	500	440	
SD0108D-T45D Side + Bottom Return (108,000)	5 - High*	2,330	2,270	2,215	2,170	2,120	2,060	2,025	2,040	
	4 - Med-High**	1,995	1,935	1,875	1,825	1,775	1,715	1,670	1,630	
	3 - Med-Low	1,705	1,640	1,590	1,535	1,470	1,420	1,375	1,315	
	2 - Alternate	1,545	1,460	1,405	1,340	1,280	1,215	1,165	1,100	
	1 - Low***	1,060	975	870	780	700	610	555	480	

NOTES:

- To comply with government mandated efficiency standards, two openings are required for airflows above 1,600 CFM.
- Data is shown without filter.
- Temperature rises in the table are approximate. Actual temperature rises may vary.
- Individual cells shaded in gray indicate a temperature rise outside of the recommended range.
- To comply with government mandated efficiency standards, speed settings shaded in gray are not allowed in HEAT mode.
- Unit ships with (4) speeds pre-wired. Use of the fifth speed will require changing the appropriate wires at the motor connection. Consult the wiring diagram for more information.

* Factory Set Cool
 ** Factory Set Heat
 *** Factory Set Circulation

BLOWER PERFORMANCE - (*)G7SD Continued

HEATING AIRFLOW (CFM) & TEMPERATURE RISE (°F)											
Model Number & Heating Input (Btuh)	Motor Speed	External Static Pressure (in. w.c.)									
		0.1		0.2		0.3		0.4		0.5	
		CFM	RISE	CFM	RISE	CFM	RISE	CFM	RISE	CFM	RISE
SD120D-T45D Bottom Return (115,000)	5 - High*										
	4 - Med-High**	1,880	51	1,830	52	1,775	54	1,725	55	1,670	57
	3 - Med-Low	1,780	53	1,725	55	1,670	57	1,615	59	1,560	61
	2 - Alternate	1,605	59	1,545	61	1,485	64	1,430	66	1,370	69
	1 - Low***										
SD120D-T45D Side Return (115,000)	5 - High*										
	4 - Med-High**	1,845	51	1,795	53	1,745	54	1,690	56	1,640	58
	3 - Med-Low	1,750	54	1,695	56	1,640	58	1,580	60	1,525	62
	2 - Alternate	1,575	60	1,510	63	1,450	66	1,390	68		
	1 - Low***										
SD120D-T45D Side + Bottom Return (115,000)	5 - High*										
	4 - Med-High**	1,915	50	1,860	51	1,805	53	1,755	54	1,700	56
	3 - Med-Low	1,810	52	1,755	54	1,700	56	1,645	58	1,590	60
	2 - Alternate	1,635	58	1,580	60	1,520	63	1,465	65	1,405	68
	1 - Low***										

COOLING AIRFLOW (CFM)										
Model Number & Heating Input (Btuh)	Motor Speed	External Static Pressure (in. w.c.)								
		0.1	0.2	0.3	0.4	0.5	0.6	0.7	0.8	
		CFM	CFM	CFM	CFM	CFM	CFM	CFM	CFM	
SD120D-T45D Bottom Return (115,000)	5 - High*	2,165	2,120	2,070	2,025	1,980	1,935	1,890	1,845	
	4 - Med-High**	1,880	1,830	1,775	1,725	1,670	1,620	1,565	1,515	
	3 - Med-Low	1,780	1,725	1,670	1,615	1,560	1,505	1,450	1,395	
	2 - Alternate	1,605	1,545	1,485	1,430	1,370	1,310	1,250	1,190	
	1 - Low***	1,025	945	860	775	690	610	525	440	
SD120D-T45D Side Return (115,000)	5 - High*	2,130	2,090	2,040	1,995	1,950	1,910	1,865	1,820	
	4 - Med-High**	1,845	1,795	1,745	1,690	1,640	1,590	1,540	1,490	
	3 - Med-Low	1,750	1,695	1,640	1,580	1,525	1,470	1,415	1,360	
	2 - Alternate	1,575	1,510	1,450	1,390	1,330	1,265	1,205	1,145	
	1 - Low***	1,005	920	835	750	665	585	500	415	
SD120D-T45D Side + Bottom Return (115,000)	5 - High*	2,195	2,150	2,100	2,055	2,005	1,960	1,910	1,865	
	4 - Med-High**	1,915	1,860	1,805	1,755	1,700	1,645	1,590	1,535	
	3 - Med-Low	1,810	1,755	1,700	1,645	1,590	1,535	1,480	1,425	
	2 - Alternate	1,635	1,580	1,520	1,465	1,405	1,350	1,290	1,235	
	1 - Low***	1,045	965	880	795	710	630	545	460	

NOTES:

- To comply with government mandated efficiency standards, two openings are required for airflows above 1,600 CFM.
- Data is shown without filter.
- Temperature rises in the table are approximate. Actual temperature rises may vary.
- Individual cells shaded in gray indicate a temperature rise outside of the recommended range.
- To comply with government mandated efficiency standards, speed settings shaded in gray are not allowed in HEAT mode.
- Unit ships with (4) speeds pre-wired. Use of the fifth speed will require changing the appropriate wires at the motor connection. Consult the wiring diagram for more information.

* Factory Set Cool
 ** Factory Set Heat
 *** Factory Set Circulation

VENTING

All models are approved for vertical non direct (1 pipe) and direct (2 pipe) venting applications. See Vent Table below for specified sizes and allowable lengths.

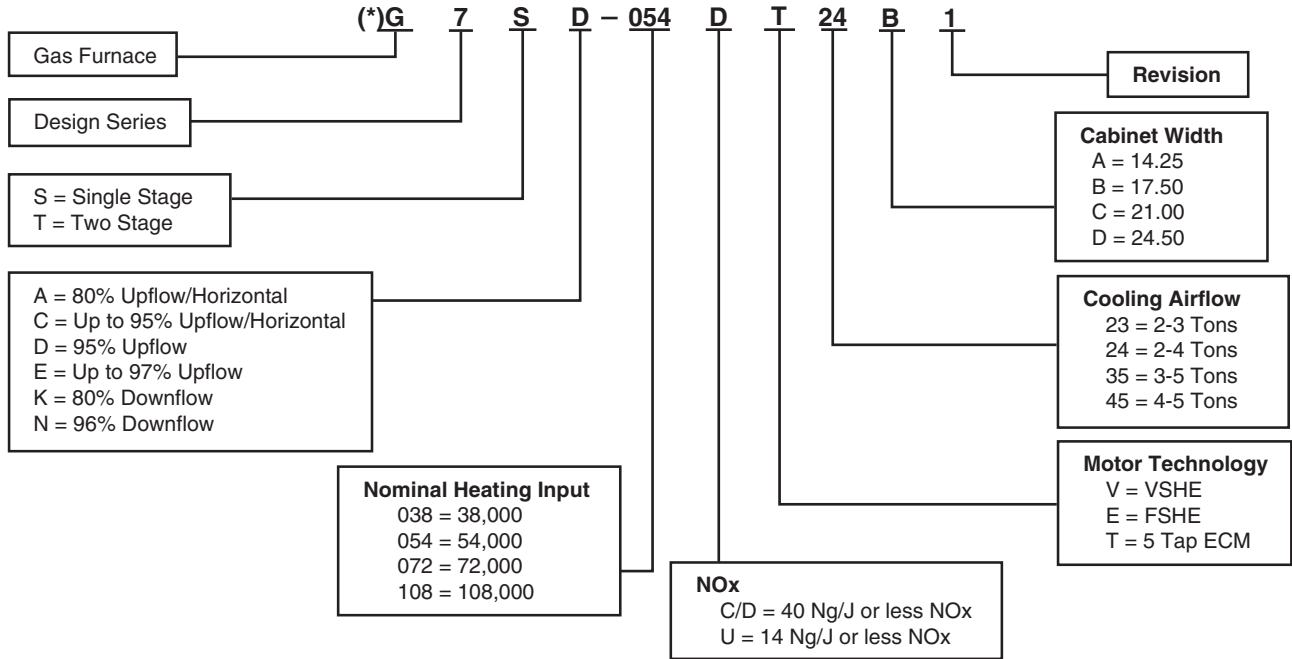
VENT TABLE

MODELS	SINGLE PIPE LENGTH (FT.) with 1 long radius elbow*		DIRECT VENT, DUEL PIPE LENGTH (ft.) WITH 1 long radius elbow on each pipe*	
	OUTLET	OUTLET	INLET/OUTLET	INLET/OUTLET
	2"	3"	2"	3"
SD038	50	70	50	70
SD054	70	90	70	90
SD072	50	90	50	90
SD090	60	90	60	90
SD108	N/A	90	N/A	90
SD120	N/A	90	N/A	90

*** NOTE:**

1. Subtract 2.5 ft. for each additional 2" elbow and 3.5 ft. for each additional 3" elbow.
2. Two 45 degree elbows are equivalent to one 90 degree elbow.
3. One short radius elbow is equivalent to two long radius elbows.
4. Do not include termination elbows in calculation of vent length.
5. This table is applicable for elevations from sea level to 2000 ft. For higher elevations decrease vent pipe lengths by 8% per 1000 ft. of altitude.
6. Only the listed pipe materials are approved for use with FG7 Condensing Furnaces.

MODEL IDENTIFICATION CODE



SPECIFICATIONS

(*G7SD MODEL NUMBERS:	-038D-T24B1	-054D-T24B1	-072D-T35C1	-090D-T35C1	-108D-T45D1	-120D-T45D1
Input - Btuh (a)	38,000	54,000	72,000	85,000	108,000	115,000
Heating Capacity - Btuh	36,000	51,000	68,000	81,000	103,000	109,000
AFUE	95.0	95.0	95.0	95.0	95.0	95.0
Blower D x W	10 x 8	11 x 8	10 x 10	11 x 10	11 x 10	11 x 10
Motor H.P. - Speed - Type	3/4 - 5 - ECM	3/4 - 5 - ECM	3/4 - 5 - ECM	1 - 5 - ECM	1 - 5 - ECM	1 - 5 - ECM
Motor FLA	8.8	8.8	8.8	11.5	11.5	11.5
Rated Ext. SP - In. W.C.	0.5	0.5	0.5	0.5	0.5	0.5
Temperature Rise Range - °F	25 - 55	30 - 60	35 - 65	35 - 65	35 - 65	40 - 70
Shipping Weights	100lbs	120lbs	130lbs	135lbs	155lbs	156lbs

NOTE: All models are 115V, 60 Hz. Gas Connections are 1/2" N.P.T. AFUE = Annual Fuel Utilization Efficiency
 (a) Ratings to 2,000 ft. Over 2,000 ft. reduce 4% for each 1,000 ft. above sea level.

ACCESSORIES

(*)G7SD KITS	
Description	SKU
2" Concentric vent kit, Canadian and US approved	904952
3" Concentric vent kit, Canadian and US approved	904953
2" Side wall vent kit	904617
3" Side wall vent kit	904347
U.S. LP Conversion kit (0 to 10,000 ft.)	905028
Canada LP Conversion kit (0 to 4,500 ft.)	905029
Bottom return filter 20 per box, "B" cabinet	904916
Bottom return filter 20 per box, "C" cabinet	904917
Bottom return filter 20 per box, "D" cabinet	904918
Side return filter kit	541036
Neutralizer kit	902377
Furnace Twinning Kit	1010035



GENERAL TERMS OF LIMITED WARRANTY

Nortek Global HVAC, LLC will furnish a replacement for any part of this product which fails in normal use and service within the terms and conditions of the warranty.

For complete details of the Limited Warranty, including applicable terms and conditions, see your local installer or contact the Nortek Global HVAC, LLC warranty department for a copy.

Before purchasing this appliance, read important energy cost and efficiency information available from your retailer. Specifications and illustrations subject to change without notice and without incurring obligations. Printed in U.S.A (03/23)