

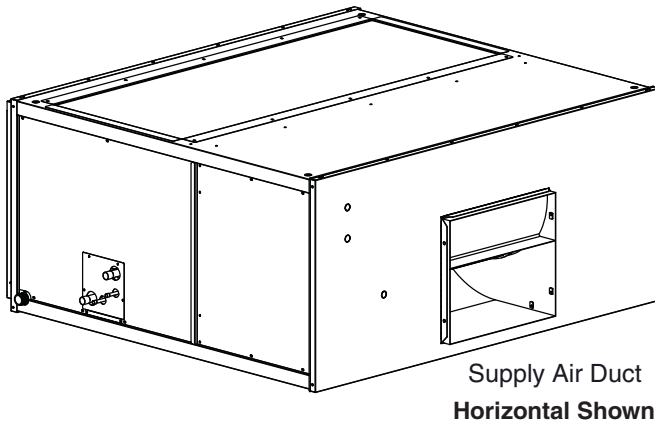
TECHNICAL SPECIFICATIONS

B5SM Series

Air Handler for Air Conditioning or Heat Pumps R-410A Refrigerant

7-1/2 and 10 Ton Light Commercial System

Shipped for horizontal applications field convertible to vertical applications



WARRANTY

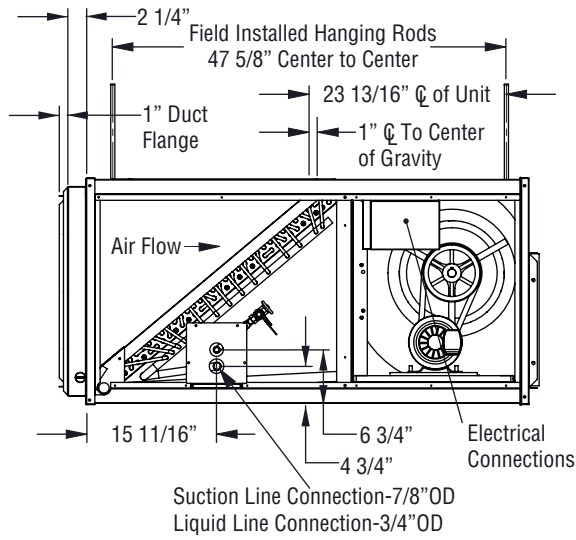
– 1 Year Limited Parts.

FEATURES and BENEFITS

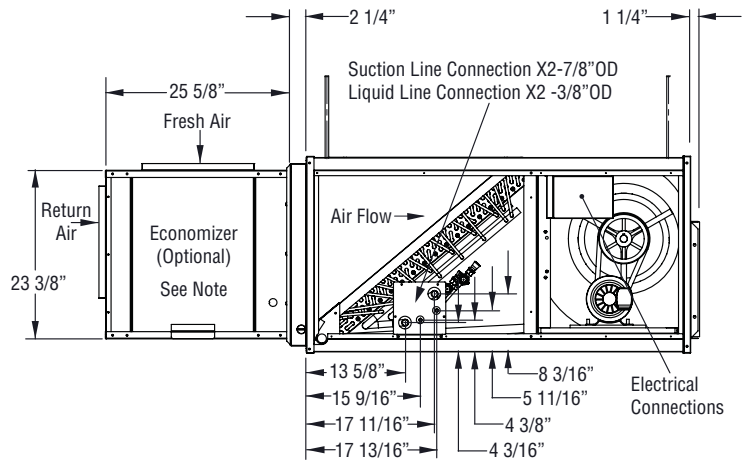
- **Cabinet:** Fabricated of heavy gauge, pre-painted Polyurethane coated galvanized steel. Horizontal mounting hardware is standard on all models, just add the 1/2" diameter threaded rod. Removable access panels are provided on both sides of the cabinet for maintenance and service. All cabinets shall have minimum 3/4" supply and return flanges.
- **Motor:** Motors are 2 HP and operate at 1725 RPM (60 Hz) and are available in single or three phase models. The adjustable motor mount allows easy belt tensioning adjustment. A variable pitch motor pulley allows balancing of the system to the desired CFM. All motors are factory installed and wired and three phase motors are wired for 460V operation.
- **Blowers:** All blowers are heavy duty, double inlet, resiliently mounted, with ball bearings, forward curved blade, and of centrifugal type. The blower wheel is dynamically balanced for smooth and quiet operation. Blower Bearings are sealed ball bearings and utilized on both sides of the blower wheel.

- **Coils:** All coils are constructed using 3/8" OD seamless copper tubing mechanically expanded to highly efficient aluminum fins to maximize heat transfer. All coils are leak tested at 550 PSIG minimum pressure. 7 1/2 ton model is a single refrigeration circuit, whereas the 10 ton model is dual circuited. Both models have factory installed bi-flow expansion valves approved for straight cool or heat pump operation. High and low refrigerant connections are provided through a close-off plate on the motor side of the unit.
- **Drain pans:** are coated for corrosion protection. A 3/4 inch FPT drain connection is located on both sides of cabinet. A minimum of a 2" trap is required.
- **Nitrogen holding charge:** All coils are shipped from factory with a dry Nitrogen holding charge. This assures leak free operation prior to installation.
- **Electrical:** Power wiring exits the unit in convenient location for mounting a field supplied junction box. A low voltage terminal block is provided to make connections for air conditioning or heat pump operation.
- **Insulation:** The entire interior of the cabinet is insulated with a Tuf-skin thermal insulation. This insulation can handle the abuse of maintenance and cleaning practices listed by NAIMA (North American Manufacturers Association). The insulation meets the requirements of;
 - ASTM C1071 - 05e1 Standard Specification for Fibrous Glass Duct Lining Insulation (Thermal and Sound Absorbing Material)
 - ASTM E84 - 08a Standard Test Method for Surface Burning Characteristics of Building Materials
 - ASTM G21 - 96(2002) Standard Practice for Determining Resistance of Synthetic Polymeric Materials to Fungi
 - Approved for use as insulation in an air stream per UL 723 and UL-181
 - NFPA 90a - Standard for the Installation of Air-Conditioning and Ventilating Systems
- **Filters:** 18" x 24" x 1" permanent filters are provided as standard in all models. Filter rack is easily accessible from either side of cabinet and can be converted to 2" permanent filters, if desired. Note: No tools are required in order to access the filters. If converting to disposable pleated filters use only 2" filters.
- **Listing:** All standard motors are UL and CSA approved. All air handlers shall be rated in accordance with ARI 340/360 and certified to UL 1995, CAN/CSA C22.2, No. 236

PHYSICAL DATA - B5SM – HORIZONTAL (AS SHIPPED)



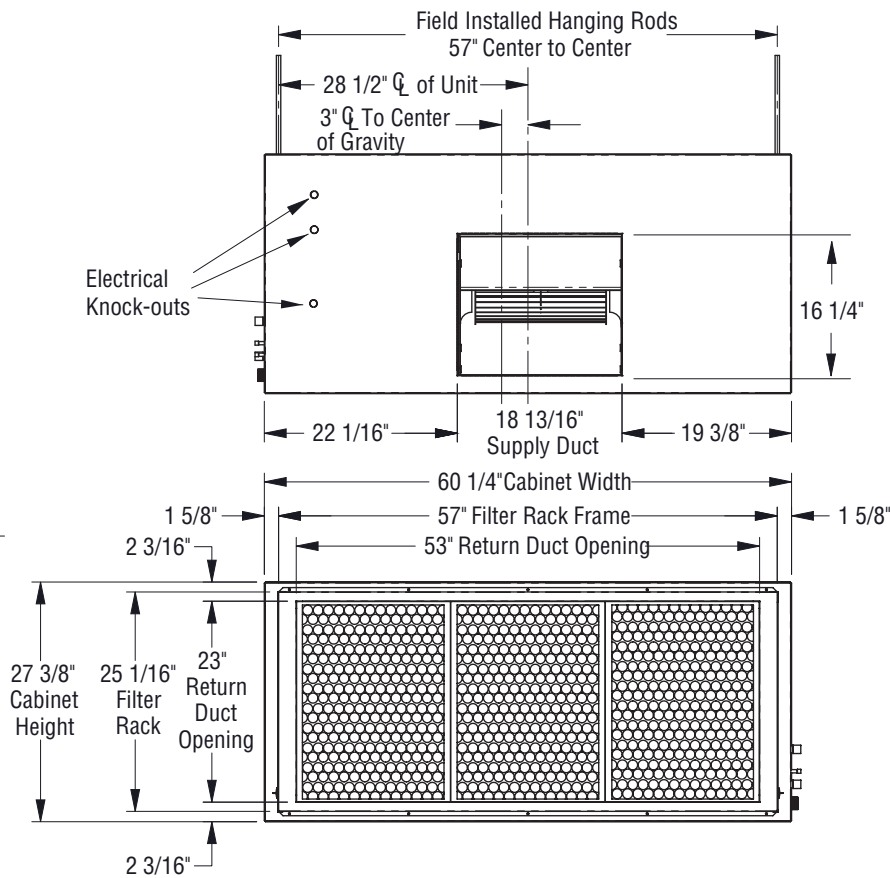
7 1/2 Ton Unit Connections



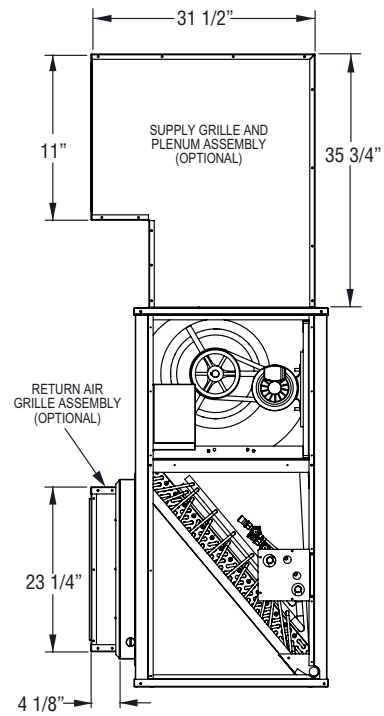
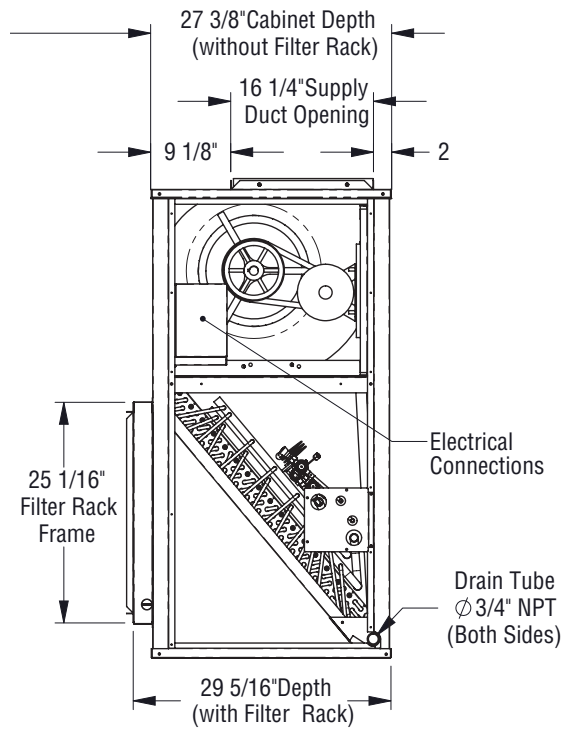
Note: Return air and fresh air openings on economizer are 39 3/4 x 15 5/8

10 Ton Unit Connections

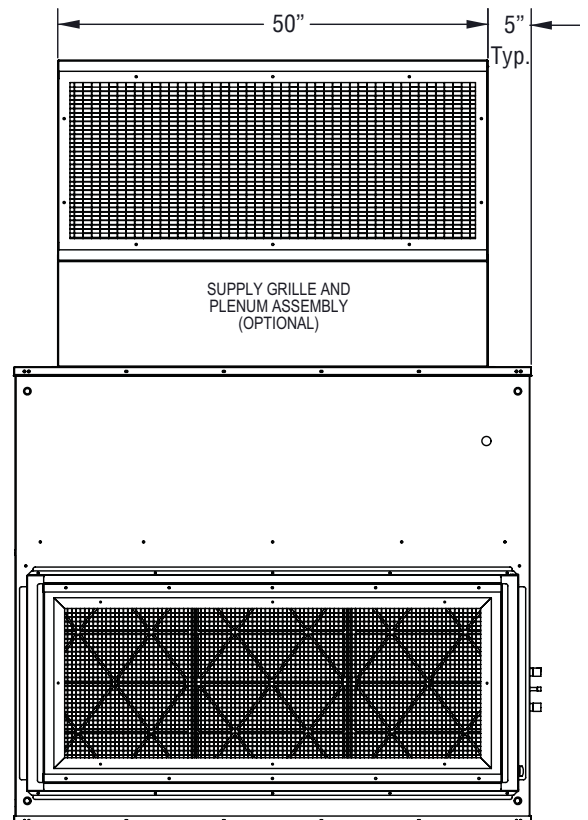
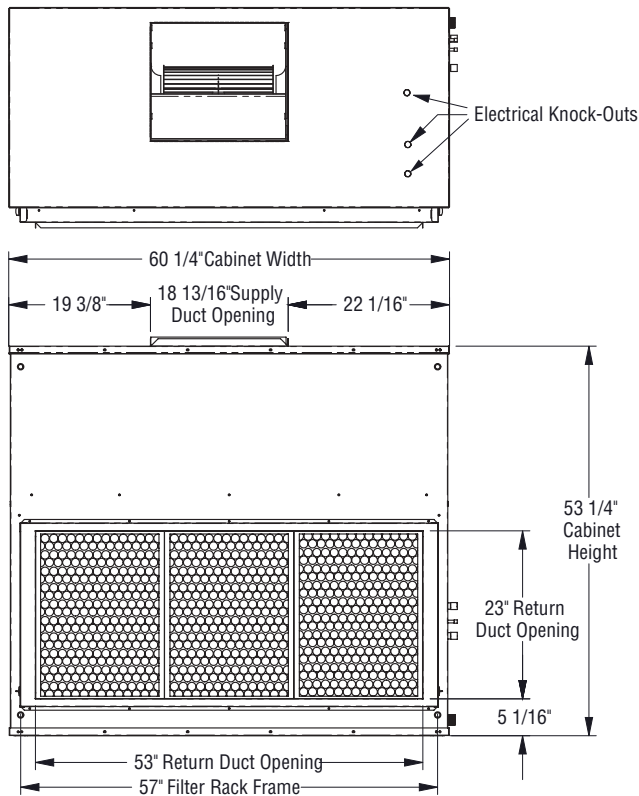
B5SM Horizontal Installation Unit Shown with Doors Removed



PHYSICAL DATA - B5SM – VERTICAL (OPTIONAL POSITION)



B5SM Vertical Installation
Unit Shown With Doors Removed



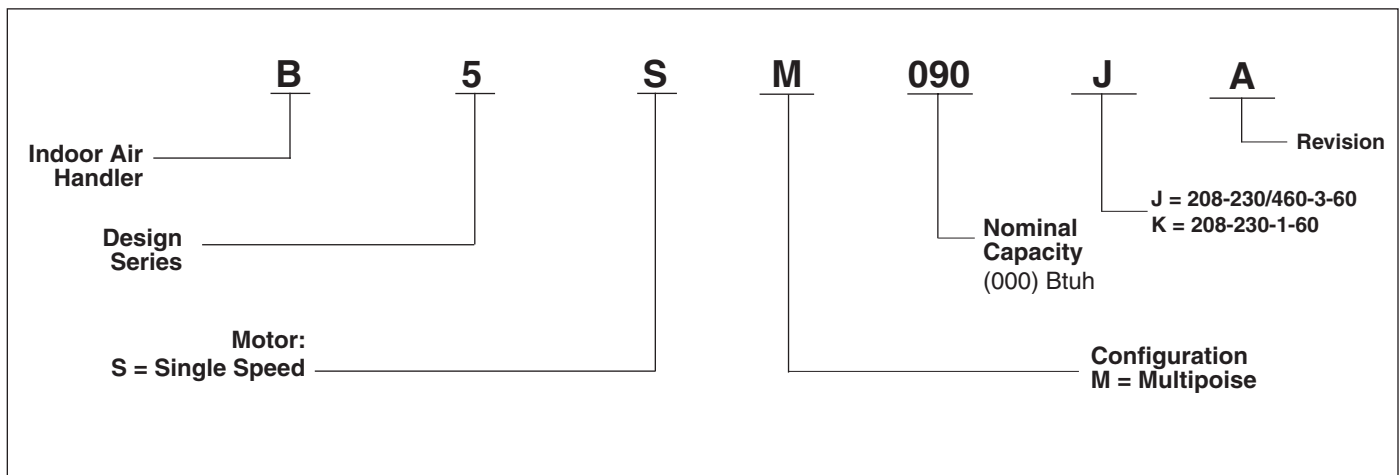
SPECIFICATIONS

Model No.: B5SM -	090JA 208-230/460-3-60 921039	090KA 208/230-1-60 921040	120JA 208-230/460-3-60 921041	120KA 208/230-1-60 921042
Performance Data				
Nominal Cooling Capacity - Btuh (Tons)	90,000 (7.5)		120,000 (10.0)	
C.F.M. Range	2,400 - 3,600		3,500 - 4,500	
Electrical Rating - 60 Hz.				
Volts / Phase / Hz.	208-230/460-3-60	208/230-1-60	208-230/460-3-60	208/230-1-60
Operating Voltage	187-253 / 414-506	187-253	187-253 / 414-506	187-253
Motor - HP / RPM	1 / 1725	2 / 1725	1.5 / 1725	2 / 1725
Unit Rated Ampacity (FLA)	3.2 - 3.0 / 1.5	11.3 - 10.0	4.4 - 4.2 / 2.1	11.3 - 10.0
Minimum Circuit Ampacity (MCA)	4.4 - 4.2 / 2.2	14.2 - 13.8	6.3 - 5.8 / 2.9	14.2 - 13.8
⁽¹⁾ Max. Over-current Protection (MOP)	15	25 - 20	15	25 - 20
Evaporator Coil Data				
	1 ea.		1 ea.	
Factory Holding Charge	Nitrogen		Nitrogen	
Face Area (Ft. ²)	12.30		12.30	
Rows - Fins per Inch (FPI)	3 - 13		4 - 14	
Tube: O.D. / Material	3/8" OD / Copper		3/8" OD / Copper	
Refrigerant Metering Device (R410A)	TXV (Bi-Flow)		TXV (Bi-Flow)	
No. of Circuits	1		2	
Liquid Line Size - O.D.	3/4" ⁽²⁾		(2) - 3/8" ⁽³⁾	
Suction Line Size - O.D.	7/8"		(2) - 7/8" ⁽⁴⁾	
Freezestat Switch (°F)	Open: 28 +/- 5 Close: 57 +/- 6			
Condensate Drain Connections (1 each side) (One 3/4" MPT plug supplied)	3/4" FPT (1) - 3/4" MPT fitting is required		3/4" FPT (1) - 3/4" MPT fitting is required	
Evaporator Blower - Type	Forward Curve Centrifugal - Dual Inlet		Forward Curve Centrifugal - Dual Inlet	
Wheel - (Qty.) - Diameter x Width (In.)	(1) - 15 x 15		(1) - 15 x 15	
Blower Shaft Size: Diameter (In.)	1.00		1.00	
Standard Blower Drive / RPM	Belt / 625		Belt / 810	
Physical Data				
Filters - Type (Permanent)	1" (Factory Installed) Convertible to 2" ⁽⁵⁾		1" (Factory Installed) Convertible to 2" ⁽⁵⁾	
Number of Filters	3		3	
Sizes - W x H (In.)	18" x 24"		18" x 24"	
Unit Weight (Lbs.)	400		425	
Shipping Weight (Lbs.)	555		580	
Supply Duct Size	18-13/16" x 16-1/4"		18-13/16" x 16-1/4"	
Return Duct Size	53" x 23"		53" x 23"	

Footnotes:

- ⁽¹⁾ Delay Fuse or HACR Type Curcuit Breakers can be used.
- ⁽²⁾ 7.5 Ton units specify field connecting LIQUID lines of 5/8" OD. One field supplied 3/4" x 5/8" reducer is required.
- ⁽³⁾ 10 Ton units specify field connecting LIQUID lines of 5/8" OD. One field supplied 3/8" x 3/8" x 5/8" connecting "T" is required. Tubing for "T" assembly should be equidistant in length to maintain even refrigerant distribution through coil.
- ⁽⁴⁾ 10 Ton units specify field connecting SUCTION lines of 1-3/8" OD. One field supplied 7/8" x 7/8" x 1-3/8" connecting "T" is required. Tubing for "T" assembly should be equidistant in length to maintain even refrigerant distribution through coil.
- ⁽⁵⁾ If disposable pleated filters are used use only 2" filters.

MODEL IDENTIFICATION CODE



BLOWER PERFORMANCE - B5SM 60 HZ. SERIES

This equipment is equipped with a belt driven blower assembly in order to accommodate a large variety of duct configurations and airflow selections. The blower has been factory inspected for proper alignment, operation and rotational direction. For a more detailed explanation of belt driven blower drives and the operation of their components please refer to any of the installation instructions listed below for the high static drive kits.

The factory standard drive installed in these units has been set to deliver 400 Cfm/ton at an External Static Pressure (ESP) of 0.25-0.30 in-Wg. Consult Table 4 or the unit rating label for the proper air filter size, circulating airflow and temperature rise for your unit. Tables 5-10 show the full blower curves of these drive configurations and can be utilized to easily set the adjustable motor sheave for alternate configurations. Refer to the Legend below for a description of the table information. After a sheave setting has been made, always inspect the blower amp draw to ensure that it is less then the service factor amps listed on the motor. For systems that include a large number of accessories or have very restrictive duct systems, alternate drive kits are available. Refer to Table 3 below for the applicable kits. The full blower curves for the HSD kits can be found in the applicable kit installation instructions or in the unit technical service literature.

3862
1159
3.03

Indicates a recommended unit operational point

TABLE LEGEND

3493
1017
2.07

Indicates an allowable setting that is not recommended for unit operation[†]

[†] These operational points should be carefully examined by the installer for proper unit setup and heater operation if used.



Indicates a setting that is not permitted for unit operation

B5SM-090Ka

Factory Standard: 2Hp Blower Performance Chart

‡ Indicates Factory Sheave Setting

External Unit Static (in-Wg)	Operation @ 230V	Adjustable Motor Sheave Setting													
		Fully Closed	1/2 Turn Open	1 Turn Open	1.5 Turns Open	2 Turns Open	2.5 Turns Open	3 Turns Open	3.5 Turns Open	4 Turns Open	4.5 Turns Open ‡	5 Turns Open	5.5 Turns Open	6 Turns Open	
0.1	CFM										3747	3599	3450		
	RPM										614	592	570		
	kW										1.01	0.91	0.80		
0.2	CFM								3657	3491	3330	3169			
	RPM								637	616	595	573			
	kW								1.02	0.93	0.84	0.75			
0.3	CFM						3740	3585	3397	3209	3030	2851			
	RPM						680	659	639	619	597	575			
	kW						1.15	1.04	0.96	0.87	0.78	0.68			
0.4	CFM					3657	3478	3298	3088	2877	2675	2472			
	RPM					702	682	661	641	621	600	578			
	kW					1.17	1.07	0.97	0.87	0.78	0.69	0.61			
0.5	CFM			3700	3544	3387	3186	2985	2734	2482					
	RPM			739	722	705	684	663	644	624					
	kW			1.38	1.24	1.10	0.98	0.87	0.79	0.70					
0.6	CFM		3685	3441	3262	3082	2851	2619							
	RPM		765	741	724	707	686	665							
	kW		1.28	1.28	1.14	0.99	0.89	0.79							
0.7	CFM	3587	3403	3161	2944	2727	2232								
	RPM	788	767	743	727	710	690								
	kW	1.35	1.15	1.18	1.04	0.90	0.77								
0.8	CFM	3293	3074	2796	2323										
	RPM	791	770	746	730										
	kW	1.25	1.06	1.07	0.89										
0.9	CFM	2924	2206												
	RPM	794	774												
	kW	1.11	0.86												
1.0	CFM														
	RPM														
	kW														

Values includes losses for: Unit Casing, 1" Permanent Filters & Dry Evaporator Coil

When utilized with H7HK Heater kits, not all operational points shown may be available for use. Refer to the H7HK Installation Instructions to determine the minimum airflow requirements of the applicable heater assembly.

BLOWER PERFORMANCE - B5SM 60 HZ. SERIES CONTINUED

B5SM-120Ka

Factory Standard: 2Hp Blower Performance Chart

‡ Indicates Factory Sheave Setting

External Unit Static (in-Wg)	Operation @ 230V	Adjustable Motor Sheave Setting													
		Fully Closed	1/2 Turn Open	1 Turn Open	1.5 Turns Open	2 Turns Open	2.5 Turns Open	3 Turns Open	3.5 Turns Open ‡	4 Turns Open	4.5 Turns Open	5 Turns Open	5.5 Turns Open	6 Turns Open	
0.1	CFM						4777	4668	4529	4390	4258	4125			
	RPM						818	796	774	751	728	705			
	kW						2.01	1.82	1.67	1.53	1.39	1.25			
0.2	CFM					4742	4624	4505	4366	4227	4066	3904			
	RPM					841	820	799	777	755	732	709			
	kW					2.13	1.93	1.73	1.60	1.47	1.33	1.19			
0.3	CFM				4753	4619	4482	4345	4197	4048	3877	3705			
	RPM				860	842	822	801	779	757	734	711			
	kW				2.20	2.05	1.85	1.66	1.53	1.41	1.27	1.14			
0.4	CFM			4750	4599	4447	4318	4189	4027	3864	3685	3506			
	RPM			879	862	844	825	805	782	759	736	712			
	kW			2.25	2.11	1.96	1.77	1.58	1.48	1.37	1.22	1.08			
0.5	CFM			4599	4457	4315	2668	1020	2347	3674	3472	3270			
	RPM			882	865	847	829	810	786	761	737	713			
	kW			2.16	2.03	1.89	1.70	1.51	1.40	1.28	1.14	0.99			
0.6	CFM			4461	4302	4143	3991	3838	3645	3452	3223	2994			
	RPM			888	869	850	831	812	788	763	739	714			
	kW			2.08	1.95	1.82	1.63	1.44	1.31	1.19	1.06	0.93			
0.7	CFM		4385	4239	4080	3920	3776	3631	3412	3111					
	RPM		906	892	873	853	834	814	790	765					
	kW		2.15	1.94	1.82	1.70	1.53	1.36	1.24	1.09					
0.8	CFM		4222	4119	3911	3703	3536	3368	3081						
	RPM		909	895	876	856	837	818	793						
	kW		2.05	1.88	1.74	1.61	1.43	1.26	1.11						
0.9	CFM	4167	4035	3921	3674	3426	3276	3125							
	RPM	928	915	899	879	859	840	821							
	kW	2.22	1.95	1.78	1.63	1.47	1.31	1.15							
1.0	CFM	3965	3814	3619	3362	3104									
	RPM	933	920	904	884	864									
	kW	2.09	1.83	1.62	1.48	1.35									
1.1	CFM	3715	3528												
	RPM	941	927												
	kW	1.93	1.69												
1.2	CFM	3407													
	RPM	949													
	kW	1.77													

Values includes losses for: Unit Casing, 1" Permanent Filters & Dry Evaporator Coil
 When utilized with H7HK Heater kits, not all operational points shown may be available for use. Refer to the H7HK Installation Instructions to determine the minimum airflow requirements of the applicable heater assembly.

BLOWER PERFORMANCE - B5SM 60 HZ. SERIES CONTINUED

B5SM-090Ja

Factory Standard: 1Hp Blower Performance Chart

‡ Indicates Factory Sheave Setting

External Unit Static (in-Wg)	Operating @ 230 or 460 Volts	Adjustable Motor Sheave Setting												
		Fully Closed	1/2 Turn Open	1 Turn Open	1.5 Turns Open	2 Turns Open	2.5 Turns Open	3 Turns Open ‡	3.5 Turns Open	4 Turns Open	4.5 Turns Open	5 Turns Open	5.5 Turns Open	6 Turns Open
0.1	CFM							3585	3423	3260	3099	2937		
	RPM							595	573	551	529	506		
	kW							0.81	0.73	0.66	0.59	0.53		
0.2	CFM					3657	3495	3332	3154	2975	2796	2616		
	RPM					645	622	598	576	554	532	509		
	kW					0.95	0.84	0.74	0.66	0.59	0.53	0.48		
0.3	CFM				3571	3408	3224	3040	2857	2674	2440	2205		
	RPM				668	647	624	600	578	556	534	511		
	kW				0.95	0.88	0.78	0.67	0.60	0.53	0.47	0.41		
0.4	CFM		3660	3487	3299	3110	2900	2690	2259					
	RPM		711	691	670	649	626	602	581					
	kW		1.07	0.98	0.89	0.81	0.70	0.60	0.51					
0.5	CFM		3405	3209	2996	2783	2316							
	RPM		713	693	672	651	629							
	kW		0.99	0.88	0.80	0.72	0.59							
0.6	CFM	3313	3113	2891	2393									
	RPM	735	715	695	675									
	kW	1.01	0.89	0.79	0.67									
0.7	CFM	3021	2797											
	RPM	737	717											
	kW	0.94	0.81											
0.8	CFM													
	RPM													
	kW													
0.9	CFM													
	RPM													
	kW													
1.0	CFM													
	RPM													
	kW													

Values includes losses for: Unit Casing, 1" Permanent Filters & Dry Evaporator Coil
 When utilized with H7HK Heater kits, not all operational points shown may be available for use. Refer to the H7HK Installation Instructions to determine the minimum airflow requirements of the applicable heater assembly.
 Refer to Blower Application Table for Alternate Accessory Drive Options Available

BLOWER PERFORMANCE - B5SM 60 HZ. SERIES CONTINUED

B5SM-120Ja

Factory Standard: 1.5Hp Blower Performance Chart

‡ Indicates Factory Sheave Setting

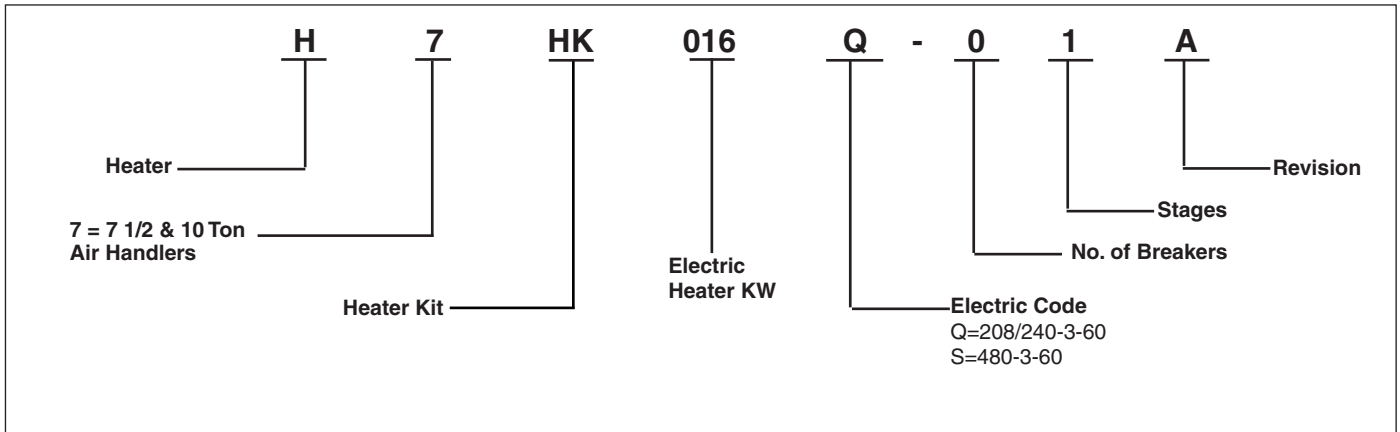
External Unit Static (in-Wg)	Operating @ 230 or 460 Volts	Adjustable Motor Sheave Setting													
		Fully Closed	1/2 Turn Open	1 Turn Open	1.5 Turns Open ‡	2 Turns Open	2.5 Turns Open	3 Turns Open	3.5 Turns Open	4 Turns Open	4.5 Turns Open	5 Turns Open	5.5 Turns Open	6 Turns Open	
0.1	CFM			4427	4290	4152	3979	3806	3633	3459	3291	3123			
	RPM			764	740	715	687	658	635	611	585	558			
	kW			1.51	1.39	1.26	1.14	1.01	0.90	0.79	0.72	0.65			
0.2	CFM			4256	4108	3959	3787	3615	3427	3238	3058				
	RPM			766	742	717	689	660	636	612	586				
	kW			1.44	1.32	1.20	1.08	0.96	0.85	0.74	0.67				
0.3	CFM			4087	3932	3776	3591	3406	3200	2993					
	RPM			768	744	719	691	662	639	615					
	kW			1.38	1.26	1.15	1.02	0.90	0.79	0.68					
0.4	CFM		4155	3929	3755	3580	3361	3141							
	RPM		803	770	746	721	693	664							
	kW		1.54	1.32	1.20	1.09	0.96	0.83							
0.5	CFM		3969	3704	3514	3323	3058								
	RPM		805	772	748	723	695								
	kW		1.46	1.23	1.11	1.00	0.87								
0.6	CFM	3925	3767	3422	3238	3053									
	RPM	827	806	774	750	725									
	kW	1.52	1.38	1.14	1.03	0.91									
0.7	CFM	3700	3549	3098											
	RPM	831	809	776											
	kW	1.43	1.27	1.04											
0.8	CFM	3463	3191												
	RPM	832	813												
	kW	1.33	1.16												
0.9	CFM	3107													
	RPM	835													
	kW	1.21													
1.0	CFM														
	RPM														
	kW														

Values includes losses for: Unit Casing, 1" Permanent Filters & Dry Evaporator Coil
 When utilized with H7HK Heater kits, not all operational points shown may be available for use. Refer to the H7HK Installation Instructions to determine the minimum airflow requirements of the applicable heater assembly.
 Refer to Blower Application Table for Alternate Accessory Drive Options Available

PRESSURE DROP ACROSS FILTER

Model B5SM	Nominal CFM	Filter		Wet Coil Correction " W.C.
		Size	Resistance " W.C.	
090	2200	18 x 24 (1")	0.03	.017
	2600		0.04	.019
	3000		0.05	.021
	3400		0.07	.023
	3800		0.08	.025
	4200		0.09	.026
120	3000	18 x 24 (1")	0.05	.18
	3400		0.07	.202
	3800		0.08	.223
	4200		0.09	.245
	4600		0.11	.266
	5000		0.13	.287

MODEL IDENTIFICATION CODE



3 PHASE ELECTRIC HEAT KITS

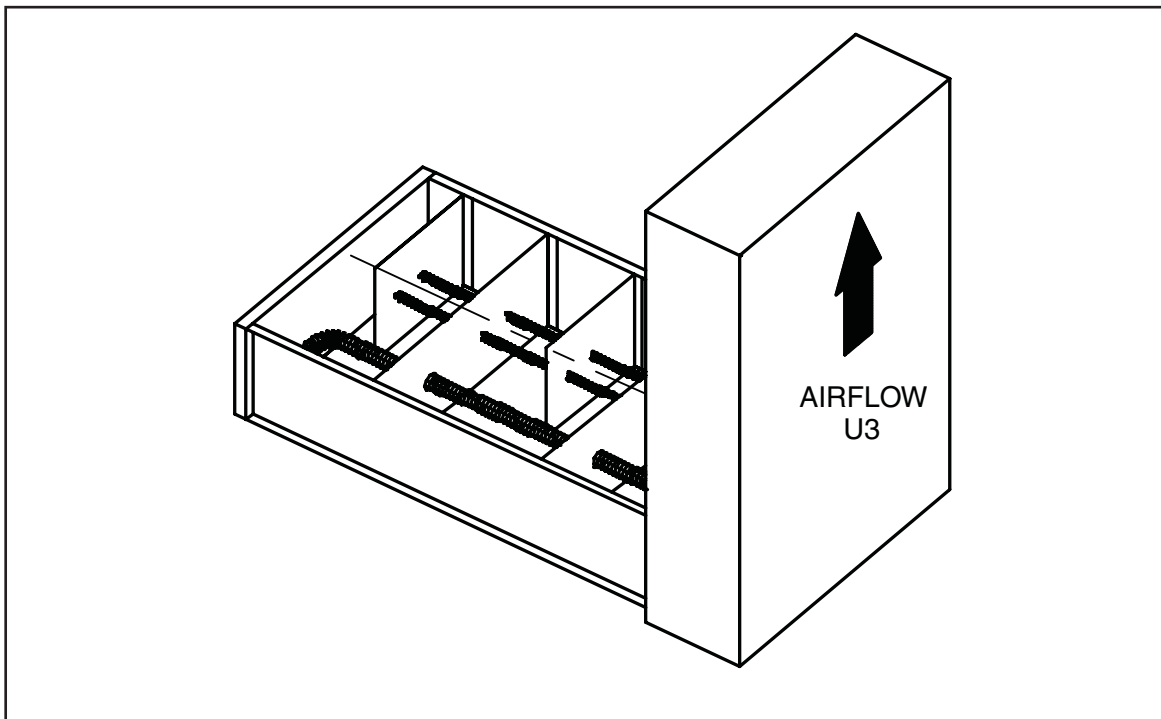
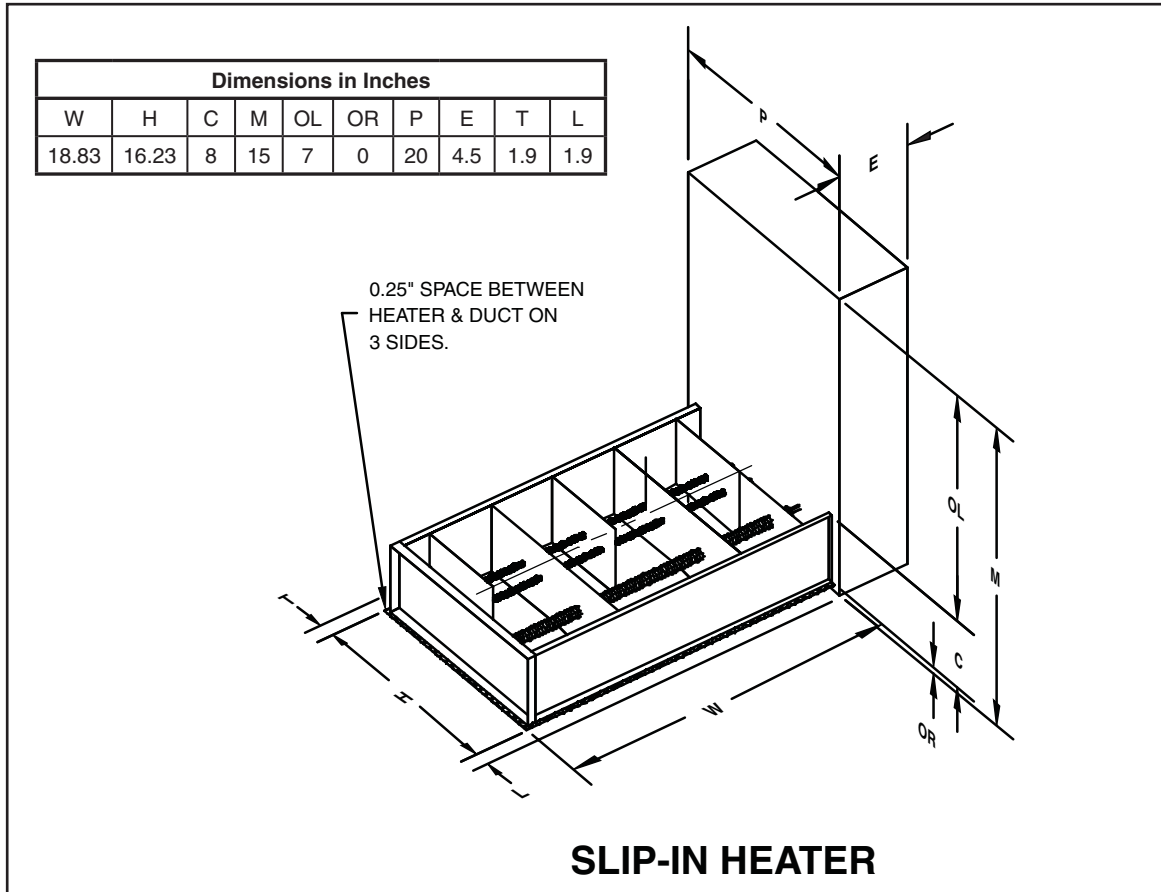
SKU	MODEL
559428	H7HK010Q-01
559429	H7HK010S-01
559430	H7HK016Q-01
559431	H7HK016S-01
559432	H7HK026Q-01
559433	H7HK026S-01
559434	H7HK036Q-01
559435	H7HK036S-01

Q = 208/240 Volt
S = 460 Volt

FEATURES AND BENEFITS - H7HK

- These are 3 phase heaters and mount in the supply duct external to the air handler.
- They are available in 10, 16, 26, and 36 kW with volt-ages of 208/240 or 480.
- All are set up for single stage operation.
- These are full featured UL listed heaters with line voltage contactors, 24 volt auto reset limit, line voltage manual reset limits, low and high voltage terminal blocks, and an air flow switch.

DIMENSIONS - HEATER KIT



Must be installed 12" minimum distance from the air handler blower outlet

ELECTRIC DATA TABLE

B5SM - 60 HZ

Heater Kit Model Number	Heater Kit SKU Number	Applied Voltage	Heater Installed Norm. KW	Multiple Circuit																	
				Single Supply Circuit Option						Circuit A (Heater Only)						Circuit B (Blower Only)					
				Minimum Circuit Amp.	Rec. Wire Gage (60°C Cu)	Rec. Wire Gage (75°C Cu)	Rec. Wire Gage (90°C Cu)	Maximum Over-current Rating	Minimum Circuit Amp.	Rec. Wire Gage (60°C Cu)	Rec. Wire Gage (75°C Cu)	Rec. Wire Gage (90°C Cu)	Maximum Over-current Rating	Minimum Circuit Amp.	Rec. Wire Gage (60°C Cu)	Rec. Wire Gage (75°C Cu)	Rec. Wire Gage (90°C Cu)	Maximum Over-current Rating			
N/A	N/A	208	0	8.3	14	14	14	15	-	-	-	-	-	-	-	-	-	-			
H7HK010Q-01	559428	208	7.4	34.0	8	8	8	35	25.7	10	10	10	30	8.3	14	14	14	15			
H7HK016Q-01	559430	208	12	49.9	6	8	8	50	41.7	6	8	8	45	8.3	14	14	14	15			
H7HK026Q-01	559432	208	19.5	76.0	3	4	4	80	67.7	4	4	6	70	8.3	14	14	14	15			
H7HK036Q-01	559434	208	27	102.0	1	2	3	110	93.8	2	3	4	100	8.3	14	14	14	15			
N/A	N/A	240	0	8.3	14	14	14	15	-	-	-	-	-	-	-	-	-	-			
H7HK010Q-01	559428	240	9.9	38.1	8	8	8	40	29.8	10	10	10	30	8.3	14	14	14	15			
H7HK016Q-01	559430	240	16	56.4	4	6	6	60	48.2	6	8	8	50	8.3	14	14	14	15			
H7HK026Q-01	559432	240	26	86.5	2	3	4	90	78.3	3	4	4	80	8.3	14	14	14	15			
H7HK036Q-01	559434	240	36	116.6	0	1	2	125	108.4	1	2	3	110	8.3	14	14	14	15			
N/A	N/A	480	0	4.1	14	14	14	15	-	-	-	-	-	-	-	-	-	-			
H7HK010S-01	559429	480	9.9	19.0	12	12	12	20	14.9	14	14	14	15	4.1	14	14	14	15			
H7HK016S-01	559431	480	16	28.2	10	10	10	30	24.1	10	10	10	25	4.1	14	14	14	15			
H7HK026S-01	559433	480	26	43.3	6	8	8	45	39.1	8	8	8	40	4.1	14	14	14	15			
H7HK036S-01	559435	480	36	58.3	4	6	6	60	54.2	6	6	6	60	4.1	14	14	14	15			

ACCESSORIES

SKU #	Description	7.5	10
560199	Economizer, Modulating, 7.5/10T AHU	X	X
560200	Return Air Grille Kit, 7.5/10T AHU	X	X
560201	Supply Air Plenum, 7.5/10T AHU	X	X
558863	Duct Smoke Detector Photo Elect.	X	X
547893	Duct Smoke Detector, Remote Multi-signal control SSK 451	X	X
558864	Smoke Detector Sampling Tube DST3, 2-4 ft.	X	X
558865	Smoke Detector Sampling Tube DST5, 4-8 ft.	X	X
920233	Differential Enthalpy Control	X	X
920317	CO ₂ Sensor - Wall Mount	X	X
920318	CO ₂ Sensor - Duct Mount	X	X



GENERAL TERMS OF LIMITED WARRANTY

Nortek Global HVACLLC will furnish a replacement for any part of this product which fails in normal use and service within the terms and conditions of the warranty.

For complete details of the Limited Warranty, including applicable terms and conditions, see your local installer or contact the Nortek Global HVACLLC warranty department for a copy.

Before purchasing this appliance, read important energy cost and efficiency information available from your retailer. Specifications and illustrations subject to change without notice and without incurring obligations. Printed in U.S.A (EE/2015)

552D-0714 (Replaces 522D-0810)