

TECHNICAL SPECIFICATIONS

P7RE Series

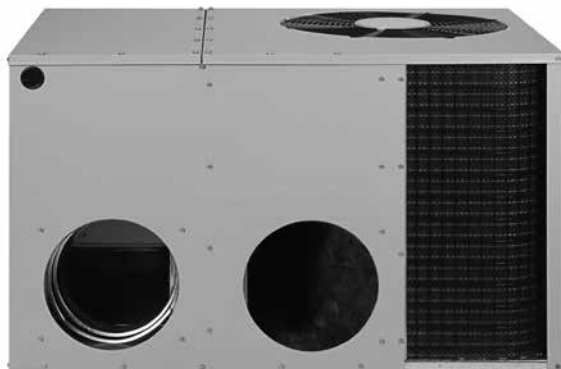
Single Packaged Air Conditioner

14 SEER

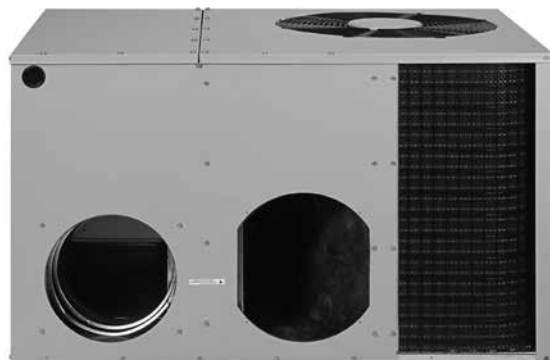
1½ thru 5 Ton Units

Cooling: 17,800 to 56,000 BTUH

The P7 Series single packaged air conditioners are high efficiency self contained cooling units that can be installed on a slab, roof curb, or metal stand. Heater kits are available as accessory items. Units are ETL and ETLc listed.



1.5 - 3 Ton Duct View

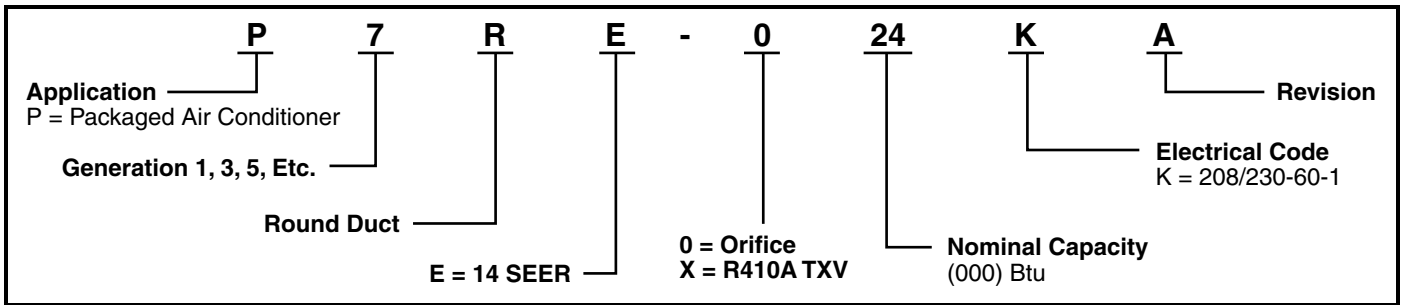


Typical 3.5 - 5 Ton Duct View

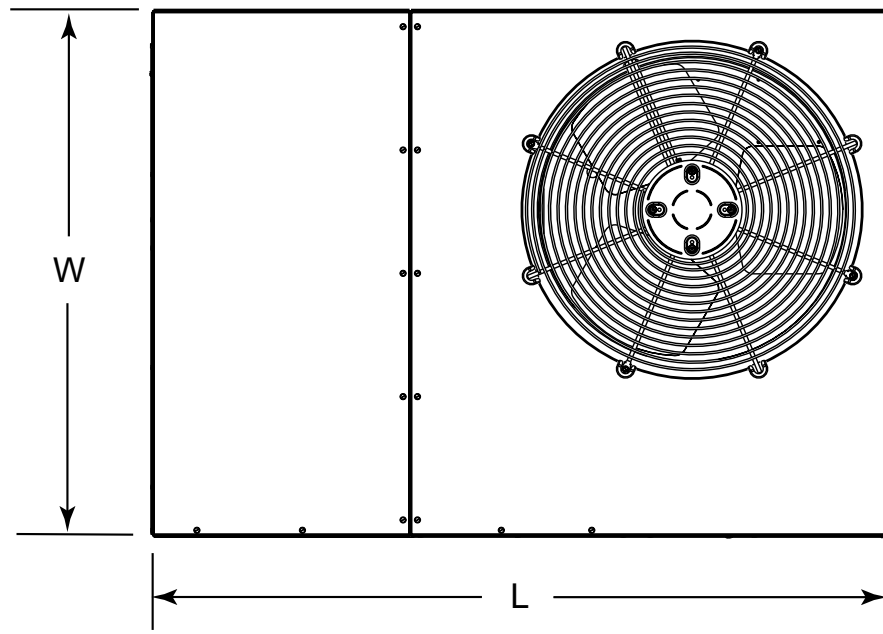
FEATURES and BENEFITS

- **Quality Compressor:** State of the art compressor is standard equipment.
- **Hi Pressure Switches:** Ensure long compressor life.
- **All-Aluminum Coils:** Both indoor and outdoor coils are designed to optimize heat transfer, minimize size and cost, and increase durability and reliability.
- **ECM Blower Motor:** Fixed torque energy efficient brushless DC ECM motor, provides 5 speeds.
- **Permanently Lubricated Condenser Motor:** A heavy duty PSC motor for long lasting reliability and quiet operation. Requires no maintenance and is completely protected from rain and snow.
- **Low Voltage Transformer:** Includes 3 Amp fuse to protect low voltage circuit.
- **Liquid Line Filter Drier:** Factory installed at a convenient location for service.
- **Designed Using Galvanized Steel:** With a polyester urethane coat finish, the 950 hour salt spray finish is 1.5 mil thick and resists corrosion.
- **Compact Footprint and Profile:** Make the P7 Series easy to install and transport.
- **0" Clearance:** To combustibles on duct side of the unit allows for installations in tight areas.
- **Wire Guard Coated with Earth Friendly Epoxy and Plastic Mesh Hail Guard:** A guard that will never rust and protects the units coil from being damaged.
- **Raised Base Pan:** Allows water to drain away from the unit.
- **Easy Compressor and Control Access:** Designed to make servicing easier for the contractor, access panels are provided to all controls and the compressor from the front of the unit. Hi/low service ports allow refrigerant access without disrupting operation.
- **Easy Access:** To the evaporator coil for cleaning, blower assembly removal and general maintenance.
- **Drain Trap:** Design optimizes drainage capabilities.
- **Removable Top Grille Assembly:** Allows ease of service to the fan motor.
- **Optional Electric Heat:** Field installed 5 – 20 KW.
- **Notched Base Rail Supports:** Allow units to be set on roof curbs or metal stands.

MODEL IDENTIFICATION CODE



DIMENSIONS

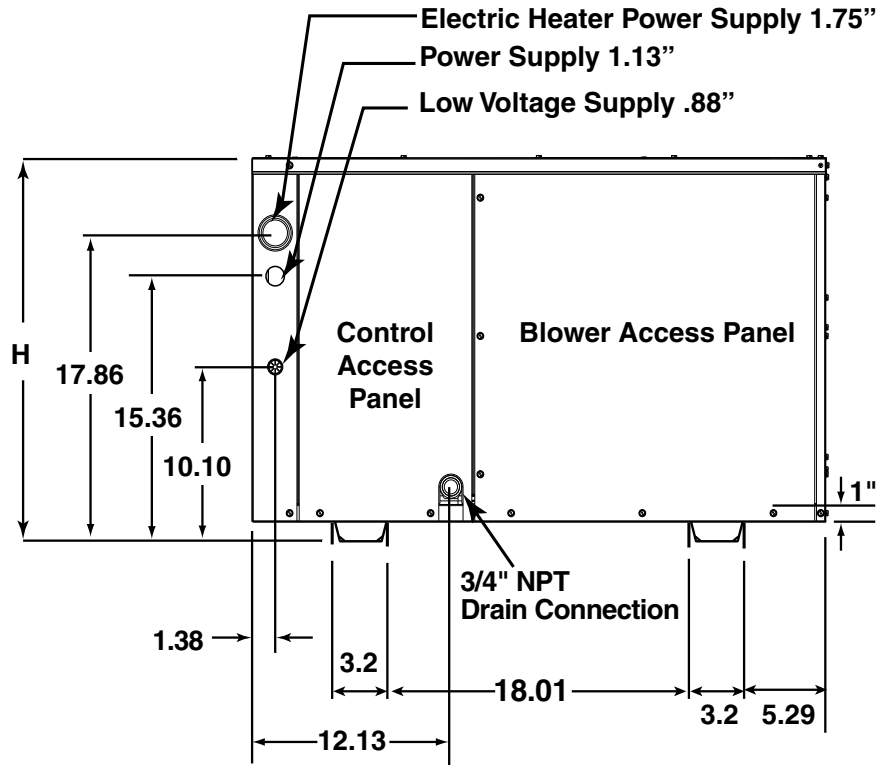


Top View

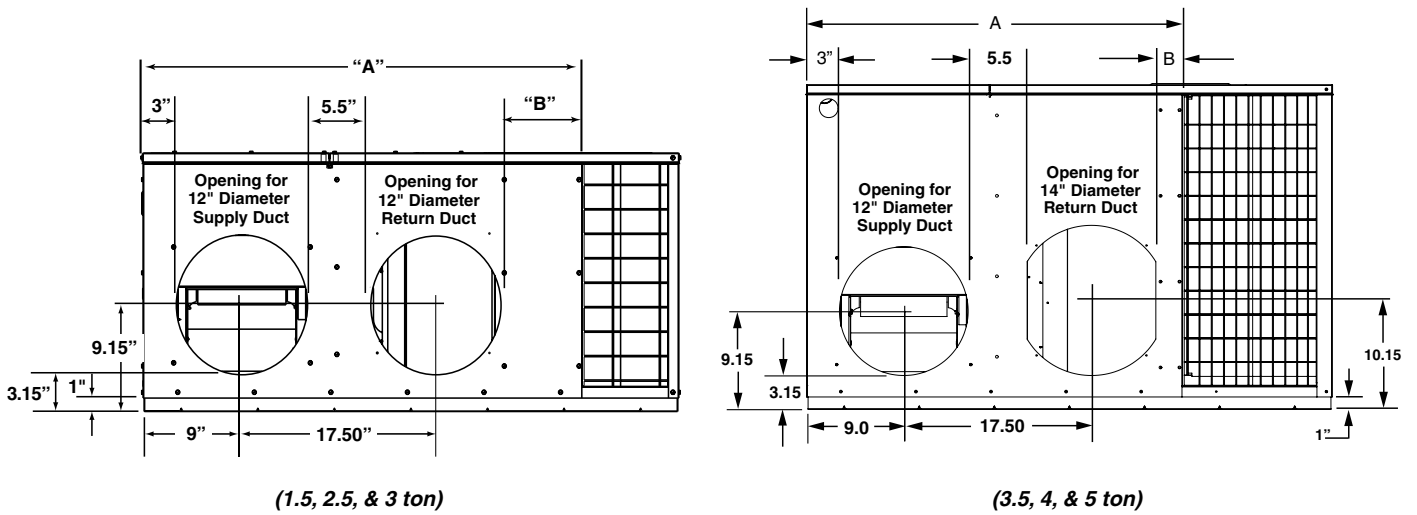
Model No. P7RE	(L) Length	(W) Width	(H) Height	A	B
018K	49	35	22.2	35.02	2.48
024K	49	35	22.2	35.02	2.48
030K	49	35	22.2	35.02	2.48
036K	49	35	22.2	35.02	2.48
042K	49	35	30.2	35.02	2.48
048K	49	35	30.2	35.02	2.48
X60KA	49	35	34.2	35.02	2.48

Model Number P7RE	Return Diameter (in)	Supply Diameter (in)
018K	12	12
024K	12	12
030K	12	12
036K	12	12
042K	14	12
048K	14	12
X60KA	14	12

DIMENSIONS Continued



Side View



Back (Duct) View

PHYSICAL SPECIFICATIONS

Model No. P7RE		018K	024K	030K	036K	042K	048K	X60KA
Performance Data	Cooling Btu/h	17800	23,800	28,400	35,000	40,500	47,000	56,000
	SEER	14	14	14	14	14	14	14
	EER	11	11	11	11	11	11	11
	Sound Ratings	73	73	73	76	76	78	78
Electrical Data	Volts-Cycles-Phase (1)	208/230-60-1						
	Operating Voltage Range	187-253	187 - 253	187 - 253	187 - 253	187 - 253	187 - 253	187 - 253
	Total Amps	11.5	13.1	14.7	21.5	24.8	28.7	32.8
	Delay Fuse - Max. (2)	20	20	25	40	45	50	60
	Min. Circuit Ampacity	13.2	15.2	17.2	25.7	29.3	34.2	38.9
Compressor Data	RLA	6.7	8.3	9.9	16.6	17.9	21.8	24.3
	LRA	42	50	69	79	112	117	144.2
Fan Motor	Amps		1	1	1.1	1.5	1.5	1.5
Blower Motor	Amps		3.8	3.8	3.8	5.4	5.4	7
R410A Refrigerant Charge	Oz.	55	55	58	58	57	70	73
Approximate Weight (lbs.)	Shipping	238	242	248	242	297	300	325
	Net Weight (lbs.)	226	230	236	230	283	286	309

(1) Operating Voltage Range: 187v min. - 253v max. Amperage and wire size based on refrigeration system only. See electrical data tables for supplemental electric heaters.

(2) HACR Type Circuit Breakers may be used.

ELECTRICAL DATA

Model	Heater kw	Single Circuit		Multiple Supply Circuit Option			
		MCA	MOP	Circuit A (Compressor, Blower & Fan)		Circuit B (Heater)	
				MCA	MOP	MCA	MOP
P7RE-018K	0	13.2	15.0	-	-	-	-
	5	29.8	30.0	-	-	-	-
	8	44.3	45.0	-	-	-	-
	10	54.8	60.0	-	-	-	-
	15	79.8	80.0	54.8	60	25	30
P7RE-024K	0	15.2	20.0	-	-	-	-
	5	29.8	30.0	-	-	-	-
	8	44.3	45.0	-	-	-	-
	10	54.8	60.0	-	-	-	-
	15	79.8	80.0	54.8	60	25	30
P7RE-030K	0	17.2	25.0	-	-	-	-
	5	29.8	30.0	-	-	-	-
	8	44.3	45.0	-	-	-	-
	10	54.8	60.0	-	-	-	-
	15	79.8	80	54.8	60	25	30
P7RE-036K	0	25.7	40.0	-	-	-	-
	5	29.8	40.0	-	-	-	-
	8	44.3	45.0	-	-	-	-
	10	54.8	60.0	-	-	-	-
	15	79.8	80	54.8	60	25	30
P7RE-042K	0	29.3	45.0	-	-	-	-
	5	31.9	45.0	-	-	-	-
	8	46.3	50.0	-	-	-	-
	10	56.8	60.0	-	-	-	-
	15	81.8	90	56.8	60	25	30
	20	106.8	110	56.8	60	50	60
P7RE-048K	0	34.2	50.0	-	-	-	-
	5	34.2	50.0	-	-	-	-
	8	46.3	50.0	-	-	-	-
	10	56.8	60.0	-	-	-	-
	15	81.8	90	56.8	60	25	30
	20	106.8	110	56.8	60	50	60
P7RE-X60KA	0	38.9	60.0	-	-	-	-
	5	38.9	60.0	-	-	-	-
	8	48.3	60.0	-	-	-	-
	10	58.8	60.0	-	-	-	-
	15	83.8	90	58.8	60	25	30
	20	108.8	110	58.8	60	50	60

ACCESSORIES

Heater Application Matrix

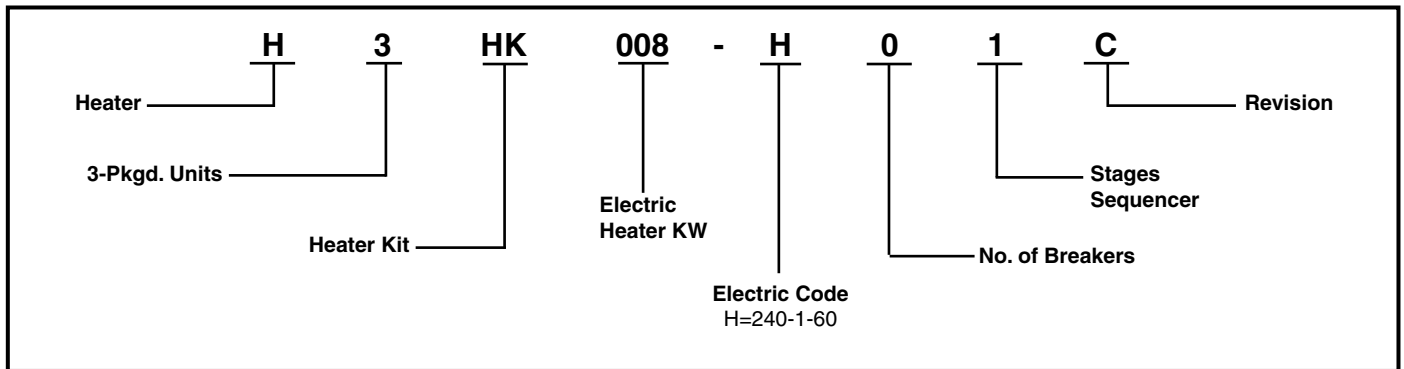
Model Number P7RE	H3HK-005H-01C 917166C	H3HK-008H-01C 917167C	H3HK-010H-01C 917168C	H3HK-015H-01C 917169C	H3HK-020H-01C 917170C	H3HK-015H-21C 917172C	H3HK-020H-21C 917173C
018K	X	X	X	X	NA	X	NA
024K	X	X	X	X	NA	X	NA
030K	X	X	X	X(2)	NA	X	NA
036K	X	X	X	X(2)	NA	X	NA
042K	X	X	X	X(2)	X(2)	X	X
048K	X	X	X	X(2)	X(2)	X	X
X60KA	X	X	X	X(2)	X(2)	X	X

NA = Not Approved.

() = Number of internal circuit breaker kits required.

X = Branch circuit protection only.

Heater Kit Model Identification Code



Accessories

Description	Part Number
4-Pole single circuit adaptor	913350
6-Pole single circuit adaptor	913556
Circuit Breaker Single Phase (2-pole)	913554
Extreme High Wind Kit - Ground Mount	1013934
12" Duct Collar	250101R
14" Duct Collar	250102R

BLOWER PERFORMANCE

HEAT RISE DATA (Based on Nominal 10kw Electric Heat Kit)																	
UNIT	BLOWER SETTING	EXTERNAL STATIC PRESSURE DROP - INCHES WATER COLUMN															
		0.1		0.2		0.3		0.4		0.5		0.6		0.7		0.8	
		CFM	HEAT RISE	CFM	HEAT RISE	CFM	HEAT RISE	CFM	HEAT RISE	CFM	HEAT RISE	CFM	HEAT RISE	CFM	HEAT RISE	CFM	HEAT RISE
018K	Tap T1	609	52	541	58	522	61	450	70	390	81	333	95	-	-	-	-
	Tap T2*	729	43	690	46	651	49	599	53	542	58	475	67	421	75	357	88
	Tap T3	859	37	813	39	768	41	724	44	673	47	609	52	555	57	497	64
	Tap T4**	1123	28	1100	29	1065	30	1023	31	978	32	929	34	877	36	820	39
	Tap T5	1359	23	1320	24	1302	24	1280	25	1243	25	1205	26	1162	27	1112	28
024K	Tap T1*	950	33	823	38	881	36	832	38	788	40	722	44	655	48	593	53
	Tap T2**	1123	28	1100	29	1065	30	1023	31	978	32	929	34	877	36	820	39
	Tap T3	1189	27	1158	27	1141	28	1084	29	1047	30	1009	31	959	33	906	35
	Tap T4	1291	24	1246	25	1236	26	1195	26	1161	27	1120	28	1075	29	1031	31
	Tap T5	1359	23	1320	24	1302	24	1280	25	1243	25	1205	26	1162	27	1112	28
030K	Tap T1	965	33	910	35	870	36	800	39	720	44	665	48	615	51	560	56
	Tap T2**	1100	29	1050	30	1010	31	955	33	890	35	830	38	750	42	700	45
	Tap T3*	1160	27	1120	28	1080	29	1030	31	980	32	930	34	880	36	800	39
	Tap T4	1440	22	1400	23	1360	23	1320	24	1280	25	1220	26	1180	27	1120	28
	Tap T5	1560	20	1530	21	1490	21	1440	22	1400	23	1360	23	1310	24	1270	25
036K	Tap T1**	1215	26	1175	27	1130	28	1075	29	1020	31	970	33	900	35	840	38
	Tap T2	1313	24	1277	25	1236	26	1190	27	1153	27	1104	29	1051	30	992	32
	Tap T3	1460	22	1415	22	1385	23	1335	24	1275	25	1225	26	1170	27	1120	28
	Tap T4*	1502	21	1466	22	1437	22	1388	23	1345	23	1305	24	1251	25	1204	26
	Tap T5	1565	20	1525	21	1490	21	1450	22	1410	22	1370	23	1315	24	1270	25
042K	Tap T1	1375	23	1345	23	1310	24	1275	25	1240	25	1205	26	1160	27	1120	28
	Tap T2**	1470	21	1435	22	1400	23	1370	23	1335	24	1300	24	1260	25	1215	26
	Tap T3*	1600	20	1570	20	1535	21	1505	21	1470	21	1440	22	1400	23	1355	23
	Tap T4	1715	18	1680	19	1650	19	1620	20	1585	20	1545	20	1505	21	1470	21
	Tap T5	1895	17	1865	17	1830	17	1795	18	1760	18	1730	18	1695	19	1655	19
048K	Tap T1	1375	23	1345	23	1310	24	1275	25	1240	25	1205	26	1160	27	1120	28
	Tap T2**	1470	21	1435	22	1400	23	1370	23	1335	24	1300	24	1260	25	1215	26
	Tap T3	1600	20	1570	20	1535	21	1505	21	1470	21	1440	22	1400	23	1355	23
	Tap T4*	1715	18	1680	19	1650	19	1620	20	1585	20	1545	20	1505	21	1470	21
	Tap T5	1895	17	1865	17	1830	17	1795	18	1760	18	1730	18	1695	19	1655	19
X60KA	Tap T1**	1390	23	1350	23	1310	24	1270	25	1240	25	1205	26	1160	27	1120	28
	Tap T2	1540	21	1510	21	1480	21	1440	22	1410	22	1380	23	1340	24	1310	24
	Tap T3	1700	19	1670	19	1630	19	1600	20	1580	20	1540	21	1510	21	1480	21
	Tap T4*	1800	18	1762	18	1737	18	1705	19	1661	19	1630	19	1600	20	1565	20
	Tap T5	2080	15	2030	16	2020	16	1970	16	1940	16	1910	17	1870	17	1840	17

NOTES:

Temperature rises shaded gray are for reference only. These conditions are not recommended.

* Denotes factory set cooling speed

** Denotes factory set electric heating speed

Conversion	
KW/h to Btu/h	3412.1
KW/h	Btu/h
5	17060.7
8	27297.1
10	34121.4
15	51182.1
20	68242.8

Heat rise
 $Btu/h = CFM \times \Delta T \times 1.08$
 $\Delta T = (Btu/h) / (CFM \times 1.08)$

COOLING EXPANDED RATINGS

P7RE-018K

CFM	O.D.T.		65°F			75°F			85°F			95°F			105°F			115°F		
	E.D.B.	E.W.B.	T.C.	S.C.	K.W.	T.C.	S.C.	K.W.	T.C.	S.C.	K.W.	T.C.	S.C.	K.W.	T.C.	S.C.	K.W.	T.C.	S.C.	K.W.
550	80	62	19.6	15.9	1.05	18.5	15.5	1.15	17.2	15.0	1.27	15.7	14.2	1.40	13.9	13.3	1.54	11.9	11.9	1.70
	80	67	21.0	13.2	1.06	20.2	13.1	1.16	19.1	12.8	1.28	17.8	12.3	1.41	16.3	11.6	1.55	14.5	10.7	1.71
	80	72	21.9	9.9	1.05	21.3	10.1	1.15	20.5	10.0	1.27	19.4	9.8	1.40	18.1	9.4	1.54	16.6	8.7	1.70
	75	62	19.9	13.3	1.04	18.5	13.0	1.14	16.9	12.4	1.26	15.0	11.7	1.39	12.9	10.7	1.53	10.5	9.6	1.69
650	80	62	20.2	16.9	1.07	19.1	16.6	1.17	17.8	16.0	1.28	16.3	15.3	1.41	14.5	14.4	1.56	12.5	12.5	1.71
	80	67	21.2	13.8	1.08	20.4	13.7	1.18	19.3	13.4	1.29	18.0	12.9	1.42	16.5	12.3	1.57	14.7	11.4	1.72
	80	72	21.6	10.1	1.07	21.0	10.3	1.17	20.2	10.2	1.28	19.2	10.0	1.41	17.9	9.6	1.55	16.4	8.9	1.71
	75	62	20.6	14.4	1.06	19.1	14.0	1.16	17.5	13.5	1.27	15.6	12.7	1.40	13.5	11.8	1.54	11.1	10.7	1.70
750	80	62	21.8	17.9	1.09	20.7	17.5	1.19	19.4	17.0	1.30	17.8	16.2	1.43	16.1	15.3	1.57	14.0	14.0	1.73
	80	67	22.3	14.3	1.10	21.5	14.2	1.20	20.4	13.9	1.31	19.1	13.4	1.44	17.6	12.8	1.58	15.8	11.9	1.74
	80	72	22.3	10.2	1.08	21.7	10.3	1.18	20.9	10.3	1.30	19.9	10.1	1.43	18.6	9.6	1.57	17.1	9.0	1.73
	75	62	22.1	15.3	1.07	20.7	15.0	1.17	19.0	14.4	1.29	17.1	13.7	1.42	15.0	12.7	1.56	12.7	11.6	1.72

P7RE-024K

CFM	O.D.T.		65°F			75°F			85°F			95°F			105°F			115°F		
	E.D.B.	E.W.B.	T.C.	S.C.	K.W.	T.C.	S.C.	K.W.	T.C.	S.C.	K.W.	T.C.	S.C.	K.W.	T.C.	S.C.	K.W.	T.C.	S.C.	K.W.
750	80	62	25.3	19.8	1.04	23.9	19.5	1.34	22.6	19.7	1.57	21.4	19.3	1.79	20.5	20.1	1.98	19.7	19.3	2.18
	80	67	27.6	18.1	1.05	25.9	17.5	1.34	24.5	17.1	1.59	23.3	16.6	1.80	22.1	16.2	1.99	20.9	15.0	2.19
	80	72	30.3	12.5	1.05	28.5	12.2	1.36	27.1	12.4	1.59	25.8	12.2	1.80	24.5	12.1	1.99	23.1	12.4	2.21
	75	62	25.1	16.4	1.04	23.6	16.0	1.34	22.3	16.0	1.57	21.1	15.7	1.78	20.1	15.0	1.98	18.9	16.1	2.17
850	80	62	26.1	21.3	1.04	24.6	21.7	1.34	23.3	21.2	1.58	22.4	20.8	1.79	21.5	20.6	1.98	20.5	20.2	2.18
	80	67	28.2	19.1	1.05	26.6	18.7	1.34	25.0	18.1	1.59	23.7	17.7	1.80	22.6	17.4	1.99	21.4	17.5	2.19
	80	72	31.0	13.1	1.06	29.1	13.5	1.36	27.7	13.1	1.59	26.3	13.0	1.80	24.9	13.1	2.00	23.5	13.3	2.21
	75	62	25.8	17.4	1.04	24.2	17.6	1.34	22.9	17.6	1.57	21.6	17.4	1.79	20.5	17.4	1.98	19.4	17.4	2.17
950	80	62	26.7	23.1	1.04	25.3	23.1	1.34	24.3	22.3	1.58	23.2	21.8	1.80	22.2	21.3	1.99	21.1	21.0	2.19
	80	67	28.8	20.2	1.05	27.1	19.7	1.34	25.5	19.1	1.59	24.3	18.8	1.80	23.0	19.0	1.99	21.8	18.7	2.20
	80	72	31.5	14.0	1.06	29.6	14.2	1.36	28.1	13.7	1.59	26.7	13.8	1.80	25.3	13.8	2.00	23.8	14.0	2.21
	75	62	26.3	18.7	1.04	24.7	19.2	1.34	23.3	18.7	1.58	22.0	18.6	1.79	20.9	18.5	1.98	19.8	18.6	2.18

P7RE-030K

CFM	O.D.T.		65°F			75°F			85°F			95°F			105°F			115°F		
	E.D.B.	E.W.B.	T.C.	S.C.	K.W.	T.C.	S.C.	K.W.	T.C.	S.C.	K.W.	T.C.	S.C.	K.W.	T.C.	S.C.	K.W.	T.C.	S.C.	K.W.
1000	80	62	28.8	23.8	0.60	28.6	24.1	1.63	27.7	24.5	2.10	26.5	24.1	2.35	25.3	24.8	2.51	24.1	23.6	2.71
	80	67	31.5	21.3	0.76	31.0	21.2	1.68	29.9	21.0	2.11	28.3	20.4	2.34	26.8	19.9	2.51	25.3	18.6	2.72
	80	72	34.8	14.7	0.95	34.0	14.8	1.71	32.7	15.2	2.10	31.1	14.9	2.32	29.2	14.7	2.49	27.4	15.1	2.72
	75	62	28.4	19.3	0.57	28.2	19.5	1.61	27.3	19.8	2.10	26.0	19.4	2.35	24.6	18.0	2.50	23.1	19.9	2.69
1100	80	62	29.5	25.2	0.64	29.2	26.3	1.64	28.3	25.9	2.11	27.3	25.4	2.35	26.1	25.0	2.51	24.7	24.5	2.71
	80	67	32.0	22.3	0.82	31.5	22.4	1.68	30.3	21.9	2.11	28.5	21.4	2.34	27.2	20.9	2.50	25.6	20.5	2.72
	80	72	35.3	15.3	0.97	34.5	16.2	1.71	33.1	15.8	2.10	31.3	15.7	2.31	29.5	15.8	2.49	27.7	15.8	2.72
	75	62	29.0	20.3	0.61	28.7	21.1	1.63	27.7	20.7	2.10	26.4	21.2	2.35	25.0	21.1	2.51	23.5	21.1	2.70
1200	80	62	30.3	26.8	0.69	30.0	27.4	1.66	29.2	26.8	2.11	28.0	26.3	2.35	26.7	25.6	2.51	25.3	25.1	2.72
	80	67	32.5	23.3	0.87	31.9	23.3	1.69	30.7	22.8	2.11	28.9	22.4	2.34	27.6	21.8	2.50	25.9	22.1	2.72
	80	72	35.7	16.2	0.98	34.7	16.8	1.71	33.3	16.4	2.09	31.7	16.4	2.31	29.8	16.3	2.48	28.0	16.5	2.72
	75	62	29.4	22.3	0.64	29.1	22.8	1.64	28.2	22.4	2.11	26.8	22.3	2.35	25.3	22.2	2.51	23.8	22.2	2.70

P7RE-036K

CFM	O.D.T.		65°F			75°F			85°F			95°F			105°F			115°F		
	E.D.B.	E.W.B.	T.C.	S.C.	K.W.	T.C.	S.C.	K.W.	T.C.	S.C.	K.W.	T.C.	S.C.	K.W.	T.C.	S.C.	K.W.	T.C.	S.C.	K.W.
1150	80	62	36.8	29.5	2.18	35.4	29.3	2.42	33.9	29.6	2.68	32.3	29.0	2.97	30.7	30.1	3.31	29.0	28.4	3.68
	80	67	39.9	27.7	2.21	38.3	27.1	2.45	36.7	26.6	2.71	34.9	26.0	3.00	33.0	25.3	3.34	31.0	23.1	3.72
	80	72	43.9	19.0	2.25	42.2	18.9	2.49	40.3	19.3	2.76	38.3	18.9	3.05	36.2	18.7	3.39	33.9	19.1	3.77
	75	62	36.4	25.1	2.18	34.9	24.9	2.41	33.3	25.0	2.67	31.7	24.5	2.96	30.0	22.6	3.30	28.1	24.2	3.67
1250	80	62	37.4	30.9	2.19	36.0	31.6	2.42	34.5	30.8	2.69	33.0	30.4	2.98	31.3	30.0	3.31	29.7	29.4	3.69
	80	67	40.6	28.8	2.21	38.9	28.5	2.45	37.1	27.8	2.72	35.3	27.1	3.01	33.4	26.5	3.34	31.4	25.9	3.73
	80	72	44.5	19.7	2.25	42.6	20.6	2.50	40.7	20.0	2.76	38.6	19.8	3.06	36.5	20.0	3.40	34.2	20.1	3.77
	75	62	36.9	26.2	2.18	35.4	26.8	2.42	33.8	26.1	2.68	32.2	25.8	2.97	30.4	25.7	3.30	28.5	25.5	3.68
1350	80	62	38.1	32.6	2.19	36.6	32.8	2.43	35.2	31.9	2.69	33.5	31.5	2.99	31.9	30.7	3.32	30.3	30.1	3.70
	80	67	41.0	30.0	2.22	39.3	29.6	2.46	37.6	28.9	2.72	35.7	28.3	3.02	33.8	27.6	3.35	31.7	27.0	3.73
	80	72	44.8	20.8	2.26	42.9	21.3	2.50	41.0	20.7	2.77	38.9	20.7	3.06	36.8	20.7	3.41	34.6	20.9	3.78
	75	62	37.4	27.6	2.18	35.9	27.8	2.42	34.3	27.2	2.68	32.6	27.0	2.97	30.8	26.7	3.31	28.9	26.7	3.68

COOLING EXPANDED RATINGS (CONTINUED)

P7RE-042K

O.D.T.			65°F			75°F			85°F			95°F			105°F			115°F		
CFM	E.D.B.	E.W.B.	T.C.	S.C.	K.W.	T.C.	S.C.	K.W.	T.C.	S.C.	K.W.	T.C.	S.C.	K.W.	T.C.	S.C.	K.W.	T.C.	S.C.	K.W.
1250	80	62	41.4	32.3	2.33	39.9	32.2	2.59	38.2	32.6	2.89	36.6	32.2	3.23	34.9	34.0	3.62	33.2	32.4	4.08
	80	67	45.2	29.6	2.37	43.4	29.0	2.64	41.6	28.5	2.93	39.8	27.8	3.28	37.8	27.1	3.67	35.8	24.8	4.14
	80	72	50.0	20.4	2.44	48.1	20.3	2.70	46.1	20.8	3.00	44.0	20.4	3.36	41.9	20.2	3.76	39.6	20.8	4.24
	75	62	41.0	26.7	2.33	39.4	26.5	2.58	37.7	26.7	2.89	36.0	26.2	3.22	34.3	24.4	3.61	32.4	26.1	4.07
1400	80	62	42.5	34.5	2.34	40.8	35.5	2.61	39.2	34.9	2.90	37.5	34.7	3.24	36.2	34.6	3.64	34.6	34.2	4.11
	80	67	46.2	31.1	2.39	44.4	30.8	2.65	42.6	30.0	2.95	40.6	29.4	3.29	38.6	28.8	3.69	36.5	28.2	4.15
	80	72	51.1	21.4	2.46	49.0	22.4	2.72	47.0	21.7	3.02	44.8	21.6	3.37	42.6	21.9	3.78	40.3	22.1	4.26
	75	62	42.0	28.2	2.34	40.4	28.9	2.60	38.6	28.2	2.90	36.8	27.9	3.23	35.0	27.9	3.62	33.1	28.8	4.08
1550	80	62	43.5	37.3	2.35	41.8	37.7	2.62	40.4	36.8	2.92	39.0	36.6	3.26	37.4	35.9	3.67	35.6	35.5	4.13
	80	67	47.1	32.7	2.41	45.2	32.3	2.66	43.3	31.5	2.96	41.3	30.9	3.30	39.2	30.3	3.70	37.0	29.7	4.17
	80	72	51.9	22.8	2.47	49.8	23.3	2.73	47.7	22.7	3.03	45.4	22.8	3.39	43.1	22.8	3.80	40.7	23.3	4.27
	75	62	42.8	30.0	2.34	41.1	30.3	2.61	39.3	29.6	2.90	37.5	30.5	3.24	35.7	30.4	3.64	33.7	30.6	4.09

P7RE-048K

O.D.T.			65°F			75°F			85°F			95°F			105°F			115°F		
CFM	E.D.B.	E.W.B.	T.C.	S.C.	K.W.	T.C.	S.C.	K.W.	T.C.	S.C.	K.W.	T.C.	S.C.	K.W.	T.C.	S.C.	K.W.	T.C.	S.C.	K.W.
1450	80	62	49.8	38.9	2.99	47.9	38.7	3.30	45.9	39.1	3.65	43.8	38.4	4.04	41.6	40.3	4.48	39.2	38.0	4.98
	80	67	54.3	36.9	3.01	52.1	36.1	3.34	49.8	35.5	3.69	47.2	34.4	4.05	44.8	33.5	4.52	42.2	30.5	5.02
	80	72	59.8	25.4	3.04	57.3	25.3	3.38	54.7	25.8	3.74	52.0	25.2	4.14	49.2	24.9	4.58	46.2	25.5	5.09
	75	62	49.3	33.3	2.98	47.4	33.0	3.30	45.3	33.2	3.64	43.1	32.5	4.03	40.8	30.1	4.47	38.4	32.2	4.97
1600	80	62	50.9	41.2	2.99	48.9	42.2	3.31	46.9	41.2	3.66	44.8	40.7	4.05	42.5	40.4	4.49	40.2	39.8	4.99
	80	67	55.3	38.7	3.02	53.0	38.1	3.34	50.6	37.2	3.70	47.6	36.3	4.06	45.5	35.5	4.53	42.7	34.6	5.03
	80	72	60.8	26.5	3.05	58.2	27.7	3.38	55.4	26.9	3.75	52.7	26.7	4.14	49.7	26.9	4.60	46.6	27.1	5.10
	75	62	50.3	35.1	2.99	48.3	35.8	3.31	46.1	34.9	3.65	43.9	34.5	4.04	41.5	34.4	4.48	39.0	34.2	4.98
1750	80	62	51.9	43.9	3.00	50.0	44.3	3.32	47.9	43.1	3.67	45.7	42.5	4.06	43.4	41.7	4.50	41.2	41.0	5.01
	80	67	56.2	40.5	3.02	53.8	39.9	3.35	51.3	38.9	3.70	48.4	38.0	4.09	46.1	37.1	4.54	43.4	36.4	5.05
	80	72	61.6	28.3	3.05	58.9	28.8	3.39	56.1	28.0	3.75	53.1	28.1	4.15	50.2	28.0	4.61	47.1	28.3	5.10
	75	62	51.1	37.2	2.99	49.1	37.5	3.31	46.9	36.6	3.66	44.6	36.4	4.05	42.1	36.0	4.48	39.6	36.0	4.98

P7RE-X60KA

O.D.T.			65°F			75°F			85°F			95°F			105°F			115°F		
CFM	E.D.B.	E.W.B.	T.C.	S.C.	K.W.	T.C.	S.C.	K.W.	T.C.	S.C.	K.W.	T.C.	S.C.	K.W.	T.C.	S.C.	K.W.	T.C.	S.C.	K.W.
1440	80	62	60.8	48.4	3.3	57.3	46.2	3.69	53.7	44.1	4.15	50.2	42	4.65	46.6	39.9	5.22	43	37.8	5.84
	80	67	67.4	42.6	3.3	63.9	40.5	3.69	60.3	38.4	4.15	56.7	36.3	4.65	53.2	34.2	5.22	49.6	32.1	5.84
	80	72	71.6	33.1	3.3	68	31	3.69	64.5	28.9	4.15	60.9	26.8	4.65	57.4	24.7	5.22	53.8	22.6	5.84
	75	62	49.8	40.9	3.3	48.6	38.8	3.69	47.4	36.7	4.15	46.2	34.5	4.65	44.9	32.4	5.22	43.7	30.3	5.84
1640	80	62	61.7	49.6	3.48	57.4	47.4	3.87	53	45.1	4.33	48.7	42.8	4.83	44.3	40.5	5.4	40	38.3	6.02
	80	67	68.3	43.9	3.48	64	41.6	3.87	59.6	39.4	4.33	55.3	37.1	4.83	50.9	34.8	5.4	46.5	32.5	6.02
	80	72	72.5	34.4	3.48	68.2	32.1	3.87	63.8	29.9	4.33	59.5	27.6	4.83	55.1	25.3	5.4	50.7	23	6.02
	75	62	50.7	42.2	3.48	48.7	39.9	3.87	46.7	37.6	4.33	44.7	35.3	4.83	42.7	33.1	5.4	40.6	30.8	6.02
1840	80	62	66.8	52.9	3.66	61.6	50.4	4.05	56.5	48	4.51	51.3	45.5	5.01	46.1	43.1	5.58	41	40.7	6.2
	80	67	73.4	47.1	3.66	68.2	44.7	4.05	63.1	42.3	4.51	57.9	39.8	5.01	52.7	37.4	5.58	47.6	34.9	6.2
	80	72	77.6	37.6	3.66	72.4	35.2	4.05	67.2	32.8	4.51	62.1	30.3	5.01	56.9	27.9	5.58	51.8	25.5	6.2
	75	62	55.8	45.4	3.66	52.9	42.9	4.05	50.1	40.5	4.51	47.3	38.1	5.01	44.5	35.6	5.58	41.7	33.2	6.2



GENERAL TERMS OF LIMITED WARRANTY

Nortek Global HVAC, LLC will furnish a replacement for any part of this product which fails in normal use and service within the terms and conditions of the warranty.

For complete details of the Limited Warranty, including applicable terms and conditions, see your local installer or contact the Nortek Global HVAC, LLC warranty department for a copy.

Before purchasing this appliance, read important energy cost and efficiency information available from your retailer. Specifications and illustrations subject to change without notice and without incurring obligations. Printed in U.S.A (08/2018)