

# TECHNICAL SPECIFICATIONS

## DS4BE Series

### R-410A High Efficiency Air Conditioner

#### 14 SEER Split System 1.5 – 5 Ton Capacity

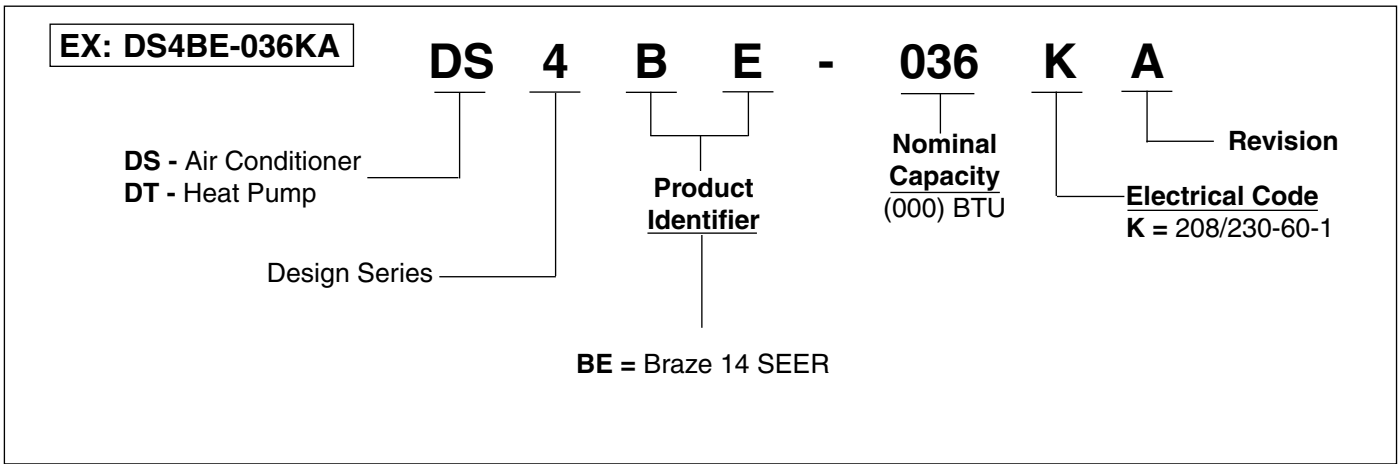
The DS4BE Series now offers the choice of an air conditioner that uses a more efficient and environmentally friendly refrigerant designated R-410A. The DS4BE Series of air conditioners offers exceptional performance. The unit, when combined with our engineered coils or air handlers, offers a full line of quality, split system cooling equipment.



## FEATURES and BENEFITS

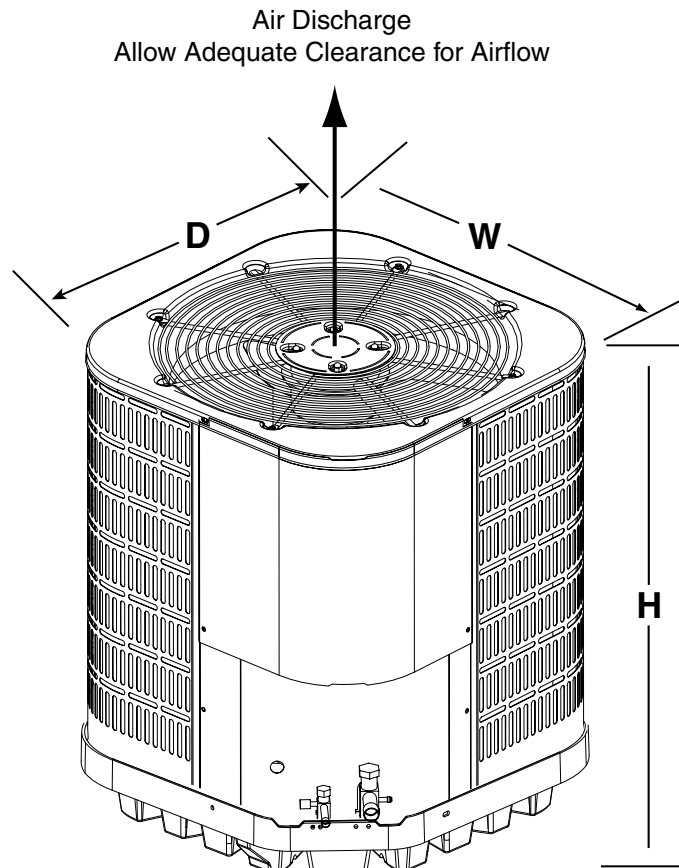
- **R-410A Refrigerant:** Earth friendly non-ozone depleting refrigerant.
- **Composite Base Pan:** Absorbs sound and is corrosion resistant. Composite is also stronger and lighter than steel.
- **Permanently Lubricated Motor:** A heavy duty PSC motor for long lasting reliability and quiet operation. Requires no maintenance and is completely protected from rain and snow.
- **Durable, Attractive Cabinet:** Designed using galvanized steel with a polyester urethane finish. The 950 hour salt spray finish is 1.5 mil thick and resists corrosion 50% better than comparable units.
- **Removable Top Grille Assembly:** Allows ease of service from the top without disconnecting fan motor leads.
- **High Pressure Switch:** Protects against abnormally high system pressures. Auto-reset feature prevents nuisance service visits.
- **Liquid Line Filter Drier:** Included with unit, field installed.
- **One Piece Top/Orifice:** Designed for maximum airflow and quiet operation.
- **Easy Compressor and Control Access:** Designed to make servicing easier for the contractor, access panels are provided to all controls and the compressor from the side of the unit.
- **Steel Guard™:** Protects the unit's coil from being damaged by balls, lawnmowers, hail etc.
- **Micro-Channel Coils:** All aluminum coils in all models which provides high corrosion resistance.

# MODEL IDENTIFICATION CODES



## DIMENSIONS AIR CONDITIONER OUTDOOR SECTION

DS4BE	018KA	024KA	030KA	036KA	042KA	048KA	060KA
H	27 1/2"	31 1/2"	27 1/2"	35 1/2"	39 1/2"	39 1/2"	43"
W	22 3/4"	22 3/4"	30 3/4"	30 3/4"	30 3/4"	30 3/4"	30 3/4"
D	22 3/4"	22 3/4"	30 3/4"	30 3/4"	30 3/4"	30 3/4"	30 3/4"



# PHYSICAL AND ELECTRICAL SPECIFICATIONS / OUTDOOR UNITS

## 14 SEER — High Efficiency — Single Phase

Model Number DS4BE		018KA	024KA	030KA	036KA	042KA	048KA	060KA	
Electrical Data	Volts-Cycles-Phase (1)	208/230-60-1							
	Total Amps	9.9	14.4	15.0	15.1	19.4	21.3	29.0	
	Delay Fuse Max. (2)	20	30	30	30	40	45	60	
	Min. Circuit Ampacity	12.1	17.7	18.5	18.6	23.9	26.3	35.6	
Component Data	Coil	Area	10.0	11.7	15.2	20.3	22.8	22.8	25.4
		Rows-FPI	1-23	1-23	1-18	1-18	1-18	1-18	1-23
		Tube Dia	MC						
	Fan Motor	Type	PSC						BLDC
		Amps	0.9	0.9	0.9	1.0	1.5	1.5	2.6
		HP	0.13	0.13	0.13	0.20	0.25	0.25	0.33
	Compressor Data	RLA	9.0	13.4	14.1	14.1	17.9	19.8	26.4
LRA		48.0	58.3	73.0	77.0	112.0	109.0	134.0	
Refrigerant suction line O.D. NOTE: Liquid line is 3/8" O.D. for entire length.	0-24 ft.	3/4"	3/4"	3/4"	3/4"	7/8"	7/8"	7/8"	
	25-39 ft.	3/4"	3/4"	3/4"	7/8" (3)	7/8"	7/8"	1-1/8" (4)	
	40-75 ft.	3/4"	3/4"	3/4"	7/8" (3)	7/8"	7/8"	1-1/8" (4)	
Refrigerant charge R-410A in ounces for outdoor unit & 15' lineset		39.0	45.0	51.0	62.0	75.0	101.0	81.0	
Approximate Weight (lbs.)	Net	107	127	132	146	175	177	187	
	Ship	113	134	140	155	184	186	196	

(1) Operating Voltage Range: 187v min. - 253v max.

(2) HACR Type Circuit Breakers may be used.

(3) Requires 7/8" to 3/4" reducer from line to unit.

(4) Requires 7/8" to 1-1/8" reducer from line to unit.

Notes:

Additional charge for line sets above 15 feet.

Values based on suction line as follows with 3/8" liquid line.

a) 3/4" = 0.6 oz. per additional foot.

b) 7/8" = 0.7 oz. per additional foot.

c) 1 1/8" = 0.8 oz. per additional foot.

## ACCESSORIES - Condensing Unit

### Start Assist Kit - 912933

Provides additional starting torque for the compressor motor when operating with low line voltage or high operating temperatures.

# SYSTEM COOLING CAPACITIES

## 14 SEER — High Efficiency — Single Phase

Outdoor Unit	Indoor Unit	BTUH	SEER	EER	CFM
DS4BE-018KA	C7B(A,H)M01824(C,U)-A+TXV	18,000	14	12.2	680
DS4BE-018KA	C7B(A,H)M01824(C,U)-B+TXV	18,000	14	12.2	680
DS4BE-024KA	C7B(A,H)M01824(C,U)-A+TXV	24,000	14	12.2	845
DS4BE-024KA	C7B(A,H)M01824(C,U)-B+TXV	24,000	14	12.2	845
DS4BE-030KA	C7B(A,H)M03036(C,U)-A+TXV	29,000	14	12.0	945
DS4BE-030KA	C7B(A,H)M03036(C,U)-B+TXV	29,000	14	12.0	945
DS4BE-036KA	C7B(A,H)M03642(C,U)-B+TXV	34,800	14	12.2	1110
DS4BE-036KA	C7B(A,H)M03648(C,U)-C+TXV	34,800	14	12.2	1110
DS4BE-042KA	C7B(A,H)M03642(C,U)-B+TXV	40,500	14	12.2	1305
DS4BE-042KA	C7B(A,H)M03648(C,U)-C+TXV	40,500	14	12.2	1305
DS4BE-048KA	C7B(A,H)M048(C,U)-C+TXV	45,500	14	11.7	1525
DS4BE-048KA	C7B(A,H)M048(C,U)-D+TXV	45,500	14	11.7	1525

Outdoor Unit	Indoor Unit	BTUH	SEER	EER	CFM
DS4BE-018KA	B6BM-X24K-A	18,000	14	12.2	600
DS4BE-018KA	B6BM-X24K-B	18,000	14	12.2	600
DS4BE-024KA	B6BM-X24K-A	24,000	14	12.2	705
DS4BE-024KA	B6BM-X24K-B	24,000	14	12.2	705
DS4BE-030KA	B6BM-X30K-A	30,200	14	12.2	875
DS4BE-030KA	B6BM-X30K-B	30,200	14	12.2	875
DS4BE-036KA	B6BM-X36K-B	34,000	14	12.2	905
DS4BE-042KA	B6BM-X42K-B	40,000	14	12.2	1225
DS4BE-048KA	B6BM-X48K-C	45,500	14	11.7	1450

See current AHRI Directory for certified combinations and ratings. All ratings are with time delay relay.

[www.ahridirectory.org](http://www.ahridirectory.org)







