

TECHNICAL SPECIFICATIONS

DS4BE Series

R-410A High Efficiency Air Conditioner

14 SEER Residential System 1.5 – 5 Ton Capacity

The DS4BE Series now offers the choice of an air conditioner that uses a more efficient and environmentally friendly refrigerant designated R-410A. The DS4BE Series of air conditioners offers exceptional performance. The unit, when combined with our engineered coils or air handlers, offers a full line of quality, split system cooling equipment.



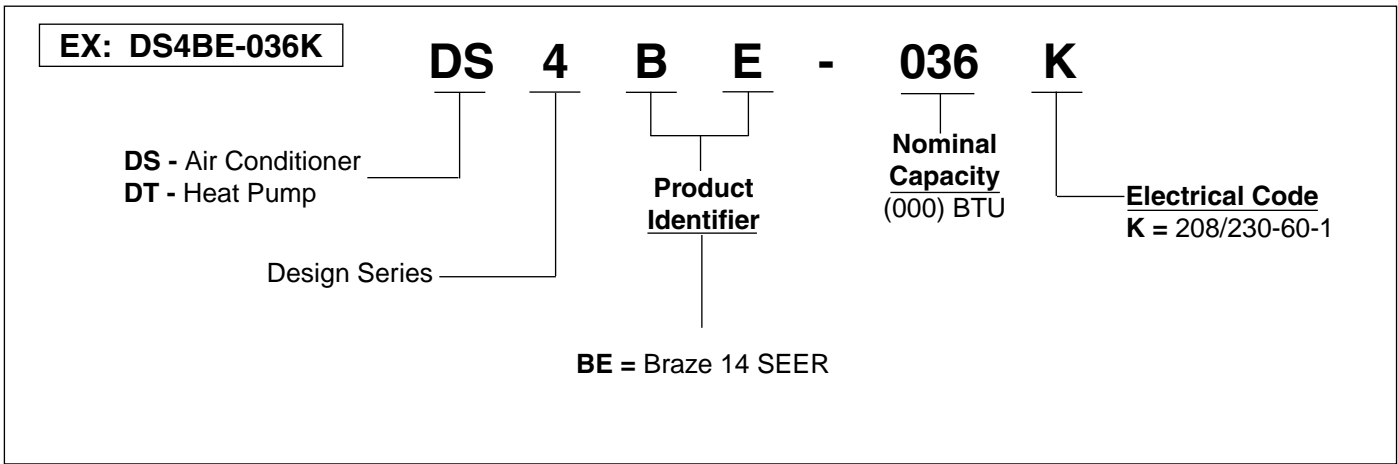
WARRANTY

- 1 year limited parts
- 5 year compressor
- 1 year mileage
- 1 year labor

FEATURES and BENEFITS

- **R-410A Refrigerant:** Earth friendly non-ozone depleting refrigerant.
- **Composite Base Pan:** Absorbs sound and is corrosion resistant. Composite is also stronger and lighter than steel.
- **Copper Tube / Aluminum Fin Coils:** Both indoor and outdoor coils are designed to optimize heat transfer, minimize size and cost, and increase durability and reliability.
- **Permanently Lubricated Motor:** A heavy duty PSC motor for long lasting reliability and quiet operation. Requires no maintenance and is completely protected from rain and snow.
- **Durable, Attractive Cabinet:** Designed using galvanized steel with a polyester urethane finish. The 950 hour salt spray finish is 1.5 mil thick and resists corrosion 50% better than comparable units.
- **Removable Top Grille Assembly:** Allows ease of service from the top without disconnecting fan motor leads.
- **High Pressure Switch:** Protects against abnormally high system pressures. Auto-reset feature prevents nuisance service visits.
- **Liquid Line Filter Drier:** Included with unit, field installed.
- **One Piece Top/Orifice:** Designed for maximum airflow and quiet operation.
- **Easy Compressor and Control Access:** Designed to make servicing easier for the contractor, access panels are provided to all controls and the compressor from the side of the unit.
- **Steel Guard™:** Protects the unit's coil from being damaged by balls, lawnmowers, hail etc.

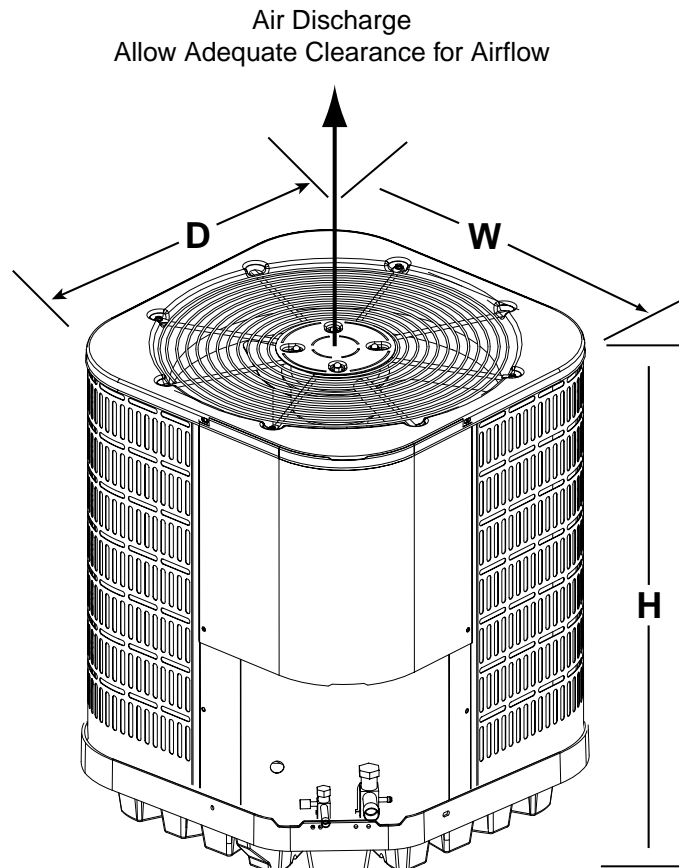
MODEL IDENTIFICATION CODES



DIMENSIONS

AIR CONDITIONER OUTDOOR SECTION

DS4BE	018K	024K	030K	036K	042K	048K	060K
H	31	31	35	39	43	43	43
W	30 3/4	30 3/4	30 3/4	30 3/4	30 3/4	30 3/4	30 3/4
D	30 3/4	30 3/4	30 3/4	30 3/4	30 3/4	30 3/4	30 3/4



PHYSICAL AND ELECTRICAL SPECIFICATIONS / OUTDOOR UNITS

14 SEER — High Efficiency — Single Phase

Model Number DS4BE		018K	024K	030K	036K	042K	048K	060K	
Electrical Data	Volts-Cycles-Phase (1)	208/230-60-1	208/230-60-1	208/230-60-1	208/230-60-1	208/230-60-1	208/230-60-1	208/230-60-1	
	Total Amps	9.9	14.4	15	15.1	19.3	21.2	27.6	
	Delay Fuse Max. (2)	20	30	30	30	40	45	60	
	Min. Circuit Ampacity	12.1	17.7	18.5	18.6	23.8	26.2	34.2	
Condenser Data	Coil	Area	17.5	17.5	20.3	22.8	25.4	25.4	25.4
		Rows-FPI	1-22	1-22	1-22	1-22	1-22	2-16	2-16
		Tube Dia	3/8" O.D.	3/8" O.D.	3/8" O.D.	3/8" O.D.	3/8" O.D.	3/8" O.D.	3/8" O.D.
	Fan Motor	Type	PSC	PSC	PSC	PSC	PSC	PSC	PSC
		Amps	0.9	0.9	0.9	1	1.4	1.4	1.4
		HP	0.13	0.13	0.13	0.25	0.25	0.25	0.25
	Fan Blade	Dia-# Blades	24"-2	24"-2	24"-2	24"-2	24"-2	24"-2	24"-2
		SCFM	3000	3000	3200	3300	3600	3800	3800
	Compressor Data	RLA	9	13.4	14.1	14.1	17.9	19.5	26.2
		LRA	48	58.3	73	77	112	109	134
Refrigerant suction line O.D.(all length of liquid line are 3/8" O.D.)	0-24 ft.	3/4"	3/4"	3/4"	3/4"	7/8"	7/8"	7/8"	
	25-39 ft.	3/4"	3/4"	3/4"	7/8" (3)	7/8"	7/8"	1 1/8" (4)	
	40-75 ft.	3/4"	3/4"	3/4"	7/8" (3)	7/8"	7/8"	1 1/8" (4)	
Refrigerant charge (R-410A) in ounces for outdoor unit, indoor unit and 15' line set. (5)		109	112	118	136	157	234	234	
Weight Approximate (lbs.)	Net	162	166	171	176	279	220	223	
	Ship	171	175	180	185	190	232	235	

- (1) Operating Voltage Range: 187v min. — 253v max.
 (2) HACR Type Circuit Breakers may be used.
 (3) Requires 7/8" to 3/4" reducer from line to unit.
 (4) Requires 7/8" to 1-1/8" reducer from line to unit.
 (5) Additional charge for line sets above 15 feet. Values based on suction line as follows with 3/8" liquid line.
 a) 3/4" = 0.6 oz. per additional foot
 b) 7/8" = 0.7 oz. per additional foot
 c) 1 1/8" = 0.8 oz per additional foot

COPPER WIRE SIZE — AWG (1% Voltage Drop)				
Supply Wire Length-Feet				Supply Circuit
200	150	100	50	Ampacity
6	8	10	14	15
4	6	8	12	20
4	6	8	10	25
4	4	6	10	30
3	4	6	8	35
3	4	6	8	40
2	3	4	6	45
2	3	4	6	50

Wire Size based on N.E.C. for 60° type copper conductors.

ACCESSORIES - Condensing Unit

Start Assist Kit - 912933

Provides additional starting torque for the compressor motor when operating with low line voltage or high operating temperatures.

SYSTEM COOLING CAPACITIES

14 SEER — High Efficiency — Single Phase

Outdoor Unit Model Number DS4BE	Indoor Unit + TDR	BTUH	SEER	EER	SCFM
018K	C6B(A,H)-X24(C,U)-(A,B)	19,000	14	13.2	550
024K	C6B(A,H)-X24(C,U)-(A,B)	24,000	14	12.4	759
030K	C6B(A,H)-X30(C,U)-(A,B)	30,000	14	12.7	950
036K	C6B(A,H)-X36(C,U)-(B,C)	34,400	14	12.2	1100
042K	C6B(A,H)-X42(C,U)-(B,C)	42,000	14	12.4	1250
048K	C6B(A,H)-X48(C,U)-(C,D)	46,500	14	12.5	1500
060K	C6B(A,H)-X60(C,U)-(C,D)	59,000	14	12.2	1650

SYSTEM COOLING CAPACITIES

14 SEER — High Efficiency — Single Phase

Outdoor Unit Model Number DS4BE	Indoor Unit Model Number B4VM	Cooling Capacity Btu/h	SEER	EER	SCFM
018K	X24K-A	18,600	14.5	13.3	555
018K	X24K-B	19,000	15.0	13.5	555
024K	X24K-A	24,400	14.5	13.3	750
024K	X24K-B	24,600	15.0	13.5	750
030K	X30K-A	29,800	14.5	13.2	885
030K	X30K-B	30,000	15.0	13.5	885
036K	X36K-B	35,800	15.5	13.5	1085
042K	X48K-B	42,000	15.0	13.0	1250
042K	X48K-C	42,500	15.5	13.5	1250
048K	X48K-C	47,500	15.0	13.0	1500
060K	X60K-C	60,000	15.0	12.8	1600

¹ Orifice supplied with outdoor unit.

See current AHRI Directory for certified combinations and ratings. All ratings are with time delay relay.

www.ahridirectory.org

14 SEER COOLING EXPANDED RATINGS

DS4BE-018K + C6B(A,H)-X24(C,U)-(A,B)+TDR
 DS4BE-018K + C6B(A,H)-X24(C,U)-(A,B)+MB6B(*)-(A,B)

CFM	O.D.T		75°F			85°F			95°F			105°F			115°F		
	E.D.B.	E.W.B.	T.C.	S.C.	K.W.	T.C.	S.C.	K.W.	T.C.	S.C.	K.W.	T.C.	S.C.	K.W.	T.C.	S.C.	K.W.
505	80	62	19.1	15.8	1.23	18.2	15.5	1.36	17.4	15.3	1.50	16.4	15.2	1.67	15.4	14.6	1.85
	80	67	20.7	13.4	1.23	19.8	13.0	1.36	18.9	12.7	1.51	17.8	12.2	1.67	16.7	11.7	1.85
	80	72	22.7	10.8	1.23	21.7	10.5	1.35	20.6	10.1	1.51	19.4	9.7	1.67	18.1	9.3	1.85
	75	63	19.2	13.0	1.23	18.4	12.6	1.36	17.5	12.2	1.51	16.5	11.8	1.67	15.4	11.3	1.85
555	80	62	19.4	16.7	1.25	18.6	16.4	1.38	17.7	16.3	1.52	16.7	16.0	1.69	15.7	15.5	1.87
	80	67	21.1	14.0	1.25	20.1	13.6	1.37	19.2	13.2	1.52	18.1	12.8	1.69	16.9	12.3	1.87
	80	72	22.9	11.2	1.25	21.8	10.9	1.37	20.8	10.5	1.52	19.6	10.1	1.69	18.3	9.6	1.87
	75	63	19.6	13.6	1.25	18.7	13.2	1.38	17.8	12.8	1.52	16.8	12.3	1.69	15.6	11.8	1.87
605	80	62	19.7	17.9	1.27	18.9	17.3	1.39	18.0	17.1	1.54	17.0	16.8	1.70	16.0	16.0	1.89
	80	67	21.4	14.6	1.27	20.4	14.2	1.39	19.4	13.8	1.54	18.3	13.4	1.71	17.0	12.9	1.89
	80	72	23.1	11.6	1.27	22.1	11.2	1.39	21.0	10.8	1.54	19.8	10.4	1.71	18.5	9.9	1.89
	75	63	19.8	14.1	1.28	18.9	13.7	1.39	18.0	13.3	1.54	17.0	12.9	1.71	15.8	12.3	1.89

DS4BE-024K + C6B(A,H)-X24(C,U)-(A,B)+TDR
 DS4BE-024K + C6B(A,H)-X24(C,U)-(A,B)+MB6B(*)-(A,B)

CFM	O.D.T		75°F			85°F			95°F			105°F			115°F		
	E.D.B.	E.W.B.	T.C.	S.C.	K.W.	T.C.	S.C.	K.W.	T.C.	S.C.	K.W.	T.C.	S.C.	K.W.	T.C.	S.C.	K.W.
650	80	62	23.9	20.2	1.54	22.9	19.8	1.70	21.7	19.5	1.89	20.5	19.3	2.10	19.2	18.6	2.34
	80	67	25.9	17.1	1.55	24.8	16.6	1.71	23.6	16.1	1.89	22.3	15.6	2.11	20.8	15.0	2.35
	80	72	28.7	13.7	1.56	27.4	13.2	1.72	26.0	12.8	1.90	24.5	12.3	2.12	22.9	11.7	2.36
	75	63	24.1	16.6	1.55	23.1	16.1	1.71	22.0	15.6	1.89	20.7	15.0	2.10	19.3	14.4	2.34
750	80	62	24.5	21.8	1.59	23.5	21.4	1.74	22.3	21.3	1.93	21.1	20.8	2.14	19.8	19.8	2.38
	80	67	26.6	18.3	1.59	25.4	17.8	1.74	24.1	17.3	1.93	22.7	16.7	2.14	21.2	16.1	2.38
	80	72	29.2	14.5	1.60	27.9	14.0	1.75	26.4	13.5	1.94	24.9	13.0	2.16	23.1	12.5	2.39
	75	63	24.7	17.7	1.59	23.6	17.2	1.74	22.4	16.7	1.93	21.1	16.1	2.14	19.7	15.5	2.38
850	80	62	25.1	23.7	1.63	24.0	23.0	1.78	22.9	22.4	1.97	21.7	21.7	2.18	20.4	20.4	2.42
	80	67	27.1	19.4	1.63	25.8	18.9	1.78	24.5	18.4	1.97	23.0	17.8	2.18	21.4	17.2	2.42
	80	72	29.5	15.2	1.64	28.2	14.8	1.79	26.6	14.3	1.98	24.9	13.7	2.19	23.2	13.1	2.43
	75	63	25.2	18.7	1.63	24.0	18.2	1.78	22.8	17.7	1.97	21.4	17.1	2.18	19.9	16.4	2.42

DS4BE-030K + C6B(A,H)-X30(C,U)-(A,B,C)+TDR
 DS4BE-030K + C6B(A,H)-X30(C,U)-(A,B,C)+MB6B(*)-(A,B,C)

CFM	O.D.T		75°F			85°F			95°F			105°F			115°F		
	E.D.B.	E.W.B.	T.C.	S.C.	K.W.	T.C.	S.C.	K.W.	T.C.	S.C.	K.W.	T.C.	S.C.	K.W.	T.C.	S.C.	K.W.
785	80	62	29.3	24.4	1.90	28.0	23.9	2.09	26.7	23.6	2.32	25.3	23.3	2.57	23.6	22.5	2.87
	80	67	31.7	20.6	1.90	30.3	20.0	2.10	28.9	19.4	2.32	27.3	18.8	2.58	25.5	18.1	2.87
	80	72	34.7	16.6	1.90	33.1	16.1	2.10	31.5	15.5	2.33	29.6	14.9	2.59	27.7	14.2	2.88
	75	63	29.5	20.0	1.90	28.3	19.4	2.09	26.9	18.8	2.32	25.4	18.2	2.58	23.8	17.4	2.87
885	80	62	29.9	26.0	1.94	28.7	25.5	2.13	27.3	25.3	2.36	25.8	24.8	2.61	24.2	24.0	2.91
	80	67	32.4	21.8	1.94	30.9	21.2	2.13	29.4	20.6	2.36	27.8	19.9	2.62	25.9	19.2	2.91
	80	72	35.0	17.3	1.95	33.4	16.8	2.14	31.8	16.2	2.37	30.0	15.6	2.63	28.0	14.9	2.92
	75	63	30.2	21.1	1.94	28.8	20.5	2.13	27.4	19.9	2.36	25.9	19.2	2.61	24.1	18.5	2.91
985	80	62	30.5	28.0	1.99	29.2	27.2	2.17	27.8	26.7	2.39	26.3	26.3	2.65	24.8	24.8	2.95
	80	67	32.9	22.9	1.99	31.4	22.3	2.17	29.8	21.7	2.40	28.1	21.0	2.66	26.2	20.2	2.95
	80	72	35.5	18.0	2.00	33.9	17.5	2.18	32.2	16.9	2.41	30.4	16.3	2.67	28.3	15.6	2.96
	75	63	30.6	22.1	1.99	29.2	21.6	2.17	27.8	20.9	2.40	26.2	20.2	2.65	24.4	19.4	2.95

DS4BE-036K + C6B(A,H)-X36(C,U)-(B,C)+TDR
 DS4BE-036K + C6B(A,H)-X36(C,U)-(B,C)+MB6B(*)-(B,C)

CFM	O.D.T		75°F			85°F			95°F			105°F			115°F		
	E.D.B.	E.W.B.	T.C.	S.C.	K.W.	T.C.	S.C.	K.W.	T.C.	S.C.	K.W.	T.C.	S.C.	K.W.	T.C.	S.C.	K.W.
985	80	62	35.4	30.1	2.26	33.9	29.5	2.49	32.1	29.0	2.77	30.2	28.7	3.07	28.1	27.5	3.43
	80	67	38.4	25.4	2.27	36.7	24.7	2.51	34.8	23.9	2.78	32.7	23.0	3.09	30.3	22.1	3.44
	80	72	42.2	20.3	2.29	40.3	19.7	2.53	38.1	18.9	2.80	35.6	18.1	3.11	32.8	17.3	3.46
	75	63	35.7	24.6	2.27	34.2	23.9	2.50	32.4	23.1	2.77	30.4	22.2	3.08	28.2	21.3	3.43
1085	80	62	36.0	31.8	2.31	34.4	31.1	2.53	32.6	30.9	2.81	30.7	30.1	3.12	28.7	28.7	3.47
	80	67	39.0	26.5	2.32	37.2	25.8	2.55	35.2	25.0	2.82	33.1	24.1	3.13	30.7	23.2	3.48
	80	72	42.5	21.1	2.34	40.6	20.4	2.57	38.3	19.7	2.84	35.7	18.8	3.15	33.2	17.9	3.50
	75	63	36.3	25.7	2.31	34.7	25.0	2.54	32.8	24.2	2.81	30.8	23.3	3.12	28.5	22.3	3.47
1185	80	62	36.5	33.9	2.36	35.0	32.9	2.57	33.2	32.2	2.85	31.3	31.3	3.16	29.4	29.4	3.51
	80	67	39.5	27.7	2.37	37.7	27.0	2.59	35.7	26.1	2.86	33.4	25.2	3.17	31.0	24.2	3.52
	80	72	42.7	21.8	2.39	40.7	21.2	2.61	38.5	20.4	2.88	36.1	19.5	3.19	33.4	18.5	3.54
	75	63	36.8	26.7	2.36	35.1	26.0	2.58	33.2	25.2	2.85	31.1	24.2	3.16	28.8	23.2	3.51

14 SEER COOLING EXPANDED RATINGS (CONTINUED)

DS4BE-042K + C6B(A,H)-X42(C,U)-(B,C)+TDR

DS4BE-042K + C6B(A,H)-X42(C,U)-(B,C)+MB6B(*)-(B,C)

O.D.T			75°F			85°F			95°F			105°F			115°F		
CFM	E.D.B.	E.W.B.	T.C.	S.C.	K.W.	T.C.	S.C.	K.W.	T.C.	S.C.	K.W.	T.C.	S.C.	K.W.	T.C.	S.C.	K.W.
1150	80	62	41.8	35.3	2.69	40.0	34.6	2.97	37.9	34.0	3.29	35.6	33.6	3.65	33.2	32.3	4.05
	80	67	45.2	29.7	2.70	43.3	28.9	2.98	41.0	28.0	3.29	38.5	27.0	3.65	35.8	25.9	4.05
	80	72	49.6	23.9	2.70	47.4	23.1	2.98	44.8	22.2	3.29	41.9	21.3	3.65	38.8	20.3	4.06
	75	63	42.2	28.9	2.70	40.3	28.1	2.98	38.2	27.1	3.29	35.9	26.1	3.65	33.4	25.0	4.06
1250	80	62	42.4	36.9	2.74	40.6	36.1	3.01	38.4	35.9	3.32	36.1	35.0	3.68	33.7	33.7	4.09
	80	67	45.9	30.9	2.74	43.8	30.1	3.01	41.5	29.1	3.33	38.9	28.1	3.69	36.2	27.0	4.09
	80	72	50.0	24.6	2.75	47.7	23.9	3.02	45.1	23.0	3.33	42.0	22.0	3.69	39.0	20.9	4.09
	75	63	42.8	30.0	2.75	40.9	29.2	3.01	38.7	28.2	3.33	36.3	27.1	3.69	33.7	26.0	4.10
1350	80	62	42.9	39.1	2.79	41.1	38.0	3.05	39.0	37.3	3.36	36.7	36.5	3.72	34.4	34.4	4.13
	80	67	46.4	32.0	2.80	44.3	31.2	3.06	41.9	30.2	3.36	39.3	29.2	3.72	36.5	28.0	4.13
	80	72	50.2	25.3	2.80	48.0	24.6	3.06	45.2	23.7	3.37	42.3	22.7	3.73	39.3	21.6	4.13
	75	63	43.3	31.0	2.80	41.3	30.2	3.05	39.1	29.2	3.37	36.6	28.1	3.73	34.0	26.9	4.13

DS4BE-048K + C6B(A,H)-X48(C,U)-(C,D)+TDR

DS4BE-048K + C6B(A,H)-X48(C,U)-C+MB6B(*)-C

O.D.T			75°F			85°F			95°F			105°F			115°F		
CFM	E.D.B.	E.W.B.	T.C.	S.C.	K.W.	T.C.	S.C.	K.W.	T.C.	S.C.	K.W.	T.C.	S.C.	K.W.	T.C.	S.C.	K.W.
1400	80	62	47.6	41.4	3.12	45.6	40.6	3.44	43.2	39.9	3.78	40.8	39.5	4.18	38.1	37.7	4.65
	80	67	51.4	34.7	3.13	49.2	33.8	3.45	46.6	32.7	3.79	43.9	31.6	4.19	40.9	30.4	4.65
	80	72	56.2	27.7	3.14	53.7	26.8	3.47	50.8	25.8	3.80	47.5	24.8	4.20	44.1	23.6	4.65
	75	63	48.0	33.7	3.12	45.9	32.7	3.44	43.5	31.7	3.79	40.9	30.5	4.18	38.1	29.3	4.65
1500	80	62	48.1	43.0	3.16	46.1	42.1	3.48	43.7	41.8	3.82	41.3	40.6	4.22	38.8	38.8	4.68
	80	67	52.0	35.8	3.18	49.7	34.9	3.49	47.1	33.9	3.83	44.3	32.7	4.22	41.2	31.5	4.68
	80	72	56.5	28.4	3.19	53.9	27.5	3.50	50.8	26.5	3.84	47.7	25.4	4.23	44.4	24.3	4.69
	75	63	48.5	34.7	3.17	46.4	33.8	3.48	43.9	32.7	3.82	41.3	31.5	4.22	38.4	30.3	4.69
1600	80	62	48.6	45.3	3.22	46.6	44.0	3.51	44.3	43.0	3.86	41.9	41.8	4.25	39.4	39.4	4.72
	80	67	52.5	36.9	3.23	50.1	36.0	3.53	47.4	34.9	3.87	44.5	33.8	4.26	41.4	32.5	4.72
	80	72	56.5	29.1	3.24	54.0	28.2	3.54	51.1	27.2	3.88	48.0	26.1	4.27	44.6	24.9	4.73
	75	63	48.9	35.7	3.22	46.7	34.8	3.52	44.2	33.7	3.86	41.6	32.5	4.26	38.6	31.2	4.73

DS4BE-060K + C6B(A,H)-X60(C,U)-(C,D)+TDR

DS4BE-060K + C6B(A,H)-X60(C,U)-C+MB6B(*)-C

O.D.T			75°F			85°F			95°F			105°F			115°F		
CFM	E.D.B.	E.W.B.	T.C.	S.C.	K.W.	T.C.	S.C.	K.W.	T.C.	S.C.	K.W.	T.C.	S.C.	K.W.	T.C.	S.C.	K.W.
1600	80	62	59.6	49.6	3.92	57.1	48.7	4.32	54.2	47.8	4.77	51.0	47.3	5.27	47.6	45.5	5.84
	80	67	64.6	42.2	3.95	61.8	41.0	4.36	58.6	39.5	4.81	55.1	38.1	5.31	51.3	36.5	5.89
	80	72	70.9	33.8	3.99	67.7	32.7	4.41	64.0	31.5	4.86	60.1	30.1	5.37	55.6	28.7	5.94
	75	63	60.2	40.8	3.93	57.6	39.6	4.33	54.7	38.3	4.78	51.4	36.9	5.28	47.9	35.3	5.85
1700	80	62	60.3	51.3	3.97	57.7	50.2	4.36	54.7	49.9	4.81	51.6	48.8	5.31	48.1	47.3	5.89
	80	67	65.3	43.1	4.01	62.4	42.0	4.40	59.1	40.6	4.85	55.6	39.2	5.35	51.7	37.6	5.93
	80	72	71.3	34.5	4.06	68.1	33.5	4.46	64.4	32.2	4.90	60.3	30.9	5.41	55.6	29.4	5.98
	75	63	60.9	41.9	3.98	58.2	40.7	4.37	55.2	39.4	4.82	51.9	37.9	5.32	48.2	36.3	5.90
1800	80	62	60.8	53.8	4.03	58.3	52.3	4.41	55.3	51.3	4.85	52.0	50.6	5.35	48.5	48.5	5.93
	80	67	65.9	44.2	4.07	62.9	43.1	4.45	59.6	41.7	4.89	55.9	40.3	5.39	52.0	38.6	5.97
	80	72	71.7	35.3	4.12	68.5	34.2	4.50	64.6	33.0	4.94	60.3	31.6	5.44	55.9	30.0	6.02
	75	63	61.5	42.9	4.04	58.7	41.8	4.42	55.6	40.4	4.86	52.2	38.9	5.36	48.5	37.3	5.94

14 SEER VSB COOLING EXPANDED RATINGS

DS4BE-018K + C6B(A,H)-X24(C,U)-(A,B)+VSB
 DS4BE-018K + B4VM-X24K-(A,B)

CFM	O.D.T		75°F			85°F			95°F			105°F			115°F		
	E.D.B.	E.W.B.	T.C.	S.C.	K.W.	T.C.	S.C.	K.W.	T.C.	S.C.	K.W.	T.C.	S.C.	K.W.	T.C.	S.C.	K.W.
505	80	62	19.5	16.2	1.12	18.6	15.9	1.25	17.8	15.7	1.39	16.8	15.6	1.56	15.7	15.0	1.74
	80	67	21.1	13.8	1.11	20.2	13.4	1.24	19.3	13.0	1.40	18.2	12.6	1.56	17.0	12.1	1.74
	80	72	23.1	11.2	1.10	22.1	10.9	1.24	21.0	10.5	1.39	19.7	10.1	1.56	18.5	9.6	1.74
	75	63	19.6	13.4	1.11	18.8	13.0	1.25	17.9	12.6	1.39	16.9	12.2	1.56	15.8	11.7	1.74
555	80	62	19.8	17.1	1.13	19.0	16.8	1.26	18.1	16.7	1.41	17.1	16.3	1.57	16.0	15.9	1.76
	80	67	21.5	14.4	1.13	20.5	14.0	1.26	19.5	13.6	1.41	18.5	13.2	1.57	17.3	12.7	1.76
	80	72	23.4	11.6	1.13	22.2	11.3	1.26	21.2	10.9	1.41	20.0	10.4	1.58	18.7	10.0	1.76
	75	63	20.0	14.0	1.14	19.1	13.6	1.27	18.2	13.2	1.41	17.2	12.7	1.58	16.0	12.2	1.76
605	80	62	20.1	18.2	1.17	19.3	17.7	1.28	18.4	17.4	1.43	17.4	17.2	1.59	16.4	16.4	1.78
	80	67	21.8	15.0	1.15	20.8	14.6	1.28	19.8	14.2	1.43	18.7	13.7	1.59	17.4	13.2	1.78
	80	72	23.6	12.0	1.14	22.5	11.6	1.28	21.4	11.2	1.43	20.2	10.8	1.60	18.9	10.3	1.78
	75	63	20.3	14.5	1.15	19.3	14.1	1.28	18.4	13.7	1.43	17.3	13.2	1.59	16.2	12.7	1.78

DS4BE-024K + C6B(A,H)-X24(C,U)-(A,B)+VSB
 DS4BE-024K + B4VM-X24K-(A,B)

CFM	O.D.T		75°F			85°F			95°F			105°F			115°F		
	E.D.B.	E.W.B.	T.C.	S.C.	K.W.	T.C.	S.C.	K.W.	T.C.	S.C.	K.W.	T.C.	S.C.	K.W.	T.C.	S.C.	K.W.
650	80	62	24.3	20.6	1.42	23.2	20.2	1.59	22.1	19.9	1.78	20.9	19.7	1.99	19.6	19.0	2.23
	80	67	26.4	17.5	1.42	25.2	17.0	1.59	24.0	16.5	1.78	22.7	15.9	1.99	21.2	15.3	2.23
	80	72	29.1	14.1	1.43	27.8	13.6	1.61	26.4	13.2	1.79	24.9	12.7	2.01	23.3	12.1	2.24
	75	63	24.6	16.9	1.42	23.5	16.5	1.59	22.4	16.0	1.78	21.1	15.4	1.99	19.7	14.8	2.23
750	80	62	24.9	22.2	1.46	23.8	21.8	1.63	22.7	21.7	1.82	21.5	21.1	2.03	20.2	20.2	2.27
	80	67	27.0	18.7	1.46	25.8	18.2	1.63	24.5	17.6	1.82	23.1	17.1	2.03	21.6	16.5	2.27
	80	72	29.8	14.9	1.47	28.3	14.4	1.64	26.8	13.9	1.83	25.2	13.4	2.04	23.5	12.9	2.28
	75	63	25.2	18.1	1.46	24.0	17.6	1.63	22.8	17.0	1.82	21.5	16.5	2.03	20.0	15.8	2.27
850	80	62	25.4	24.0	1.52	24.4	23.4	1.67	23.3	22.8	1.85	22.1	22.1	2.07	20.8	20.8	2.31
	80	67	27.5	19.8	1.50	26.2	19.3	1.67	24.9	18.8	1.86	23.4	18.2	2.07	21.8	17.5	2.31
	80	72	30.0	15.7	1.50	28.6	15.2	1.68	27.0	14.7	1.87	25.3	14.1	2.08	23.6	13.5	2.32
	75	63	25.6	19.1	1.50	24.4	18.6	1.67	23.2	18.1	1.86	21.8	17.5	2.07	20.3	16.8	2.31

DS4BE-030K + C6B(A,H)-X30(C,U)-(A,B,C)+VSB
 DS4BE-030K + B4VM-X30K-(A,B)

CFM	O.D.T		75°F			85°F			95°F			105°F			115°F		
	E.D.B.	E.W.B.	T.C.	S.C.	K.W.	T.C.	S.C.	K.W.	T.C.	S.C.	K.W.	T.C.	S.C.	K.W.	T.C.	S.C.	K.W.
785	80	62	29.8	24.8	1.77	28.4	24.3	1.98	27.1	23.9	2.21	25.6	23.7	2.46	24.0	22.9	2.76
	80	67	32.1	21.0	1.77	30.7	20.4	1.99	29.3	19.8	2.21	27.7	19.2	2.47	25.9	18.4	2.76
	80	72	35.1	17.0	1.77	33.5	16.5	1.99	31.8	15.9	2.22	30.0	15.3	2.48	28.1	14.6	2.77
	75	63	30.0	20.4	1.77	28.7	19.8	1.98	27.3	19.2	2.21	25.8	18.6	2.46	24.1	17.8	2.76
885	80	62	30.4	26.4	1.81	29.0	25.9	2.02	27.7	25.7	2.24	26.2	25.2	2.50	24.6	24.4	2.80
	80	67	32.8	22.2	1.81	31.3	21.6	2.02	29.8	21.0	2.25	28.2	20.3	2.51	26.3	19.6	2.80
	80	72	35.6	17.7	1.82	33.8	17.2	2.03	32.2	16.6	2.26	30.4	16.0	2.52	28.4	15.3	2.81
	75	63	30.6	21.5	1.81	29.2	20.9	2.02	27.8	20.3	2.25	26.2	19.6	2.50	24.5	18.8	2.80
985	80	62	30.8	28.3	1.88	29.6	27.6	2.06	28.2	27.1	2.28	26.7	26.7	2.54	25.2	25.2	2.83
	80	67	33.3	23.3	1.85	31.7	22.7	2.06	30.2	22.1	2.29	28.5	21.4	2.54	26.6	20.6	2.84
	80	72	36.0	18.5	1.85	34.2	17.9	2.07	32.6	17.3	2.30	30.8	16.7	2.55	28.7	15.9	2.84
	75	63	31.0	22.5	1.85	29.6	21.9	2.06	28.2	21.3	2.29	26.6	20.6	2.54	24.8	19.8	2.84

DS4BE-036K + C6B(A,H)-X36(C,U)-(B,C)+VSB
 DS4BE-036K + B4VM-X36K-B

CFM	O.D.T		75°F			85°F			95°F			105°F			115°F		
	E.D.B.	E.W.B.	T.C.	S.C.	K.W.	T.C.	S.C.	K.W.	T.C.	S.C.	K.W.	T.C.	S.C.	K.W.	T.C.	S.C.	K.W.
985	80	62	35.9	30.5	2.13	34.3	29.9	2.38	32.5	29.4	2.65	30.6	29.1	2.96	28.5	27.9	3.32
	80	67	38.8	25.8	2.14	37.1	25.1	2.40	35.2	24.3	2.67	33.0	23.4	2.98	30.7	22.4	3.33
	80	72	42.6	20.7	2.15	40.6	20.1	2.42	38.4	19.3	2.69	36.0	18.5	3.00	33.2	17.6	3.35
	75	63	36.2	25.0	2.13	34.6	24.3	2.39	32.8	23.5	2.66	30.8	22.6	2.97	28.6	21.7	3.32
1085	80	62	36.4	32.1	2.17	34.8	31.5	2.42	33.0	31.3	2.69	31.1	30.5	3.00	29.1	29.1	3.36
	80	67	39.4	26.9	2.18	37.6	26.2	2.44	35.6	25.4	2.71	33.4	24.5	3.02	31.1	23.5	3.37
	80	72	43.2	21.5	2.20	41.0	20.8	2.46	38.6	20.1	2.73	36.1	19.2	3.04	33.5	18.3	3.39
	75	63	36.8	26.1	2.18	35.1	25.4	2.43	33.2	24.5	2.70	31.2	23.6	3.01	28.9	22.7	3.36
1185	80	62	36.8	34.2	2.24	35.4	33.3	2.46	33.6	32.6	2.73	31.7	31.7	3.04	29.7	29.7	3.40
	80	67	40.0	28.1	2.23	38.1	27.3	2.48	36.0	26.5	2.75	33.8	25.6	3.06	31.3	24.6	3.41
	80	72	43.2	22.2	2.24	41.1	21.5	2.50	38.9	20.7	2.77	36.4	19.9	3.08	33.8	18.9	3.43
	75	63	37.2	27.1	2.22	35.5	26.4	2.47	33.6	25.6	2.74	31.5	24.6	3.05	29.2	23.6	3.40

14 SEER VSB COOLING EXPANDED RATINGS (CONTINUED)

DS4BE-042K + C6B(A,H)-X42(C,U)-(B,C)+VSB
 DS4BE-042K + B4VM-X48K-(B,C)

CFM	O.D.T		75°F			85°F			95°F			105°F			115°F		
	E.D.B.	E.W.B.	T.C.	S.C.	K.W.	T.C.	S.C.	K.W.	T.C.	S.C.	K.W.	T.C.	S.C.	K.W.	T.C.	S.C.	K.W.
1150	80	62	42.3	35.7	2.56	40.4	35.0	2.86	38.3	34.4	3.17	36.0	33.9	3.54	33.6	32.6	3.94
	80	67	45.7	30.2	2.56	43.7	29.3	2.87	41.4	28.4	3.18	38.9	27.4	3.54	36.2	26.3	3.94
	80	72	50.0	24.3	2.55	47.8	23.5	2.87	45.2	22.6	3.18	42.3	21.7	3.54	39.2	20.7	3.94
	75	63	42.6	29.3	2.56	40.7	28.5	2.86	38.6	27.5	3.18	36.3	26.5	3.54	33.7	25.4	3.95
1250	80	62	42.8	37.3	2.60	41.0	36.5	2.90	38.8	36.2	3.21	36.5	35.4	3.57	34.1	34.1	3.98
	80	67	46.3	31.3	2.59	44.2	30.5	2.90	41.9	29.5	3.22	39.3	28.5	3.57	36.5	27.3	3.98
	80	72	50.6	25.0	2.60	48.1	24.2	2.91	45.4	23.4	3.22	42.4	22.4	3.58	39.4	21.3	3.98
	75	63	43.3	30.4	2.60	41.3	29.5	2.90	39.1	28.6	3.22	36.6	27.5	3.58	34.1	26.4	3.98
1350	80	62	43.2	39.4	2.67	41.5	38.4	2.93	39.3	37.6	3.25	37.1	36.9	3.61	34.8	34.8	4.02
	80	67	46.9	32.4	2.64	44.7	31.6	2.94	42.3	30.6	3.25	39.6	29.5	3.61	36.8	28.4	4.02
	80	72	50.8	25.8	2.64	48.3	25.0	2.95	45.6	24.1	3.26	42.7	23.0	3.61	39.7	22.0	4.02
	75	63	43.7	31.4	2.65	41.7	30.6	2.94	39.4	29.6	3.25	37.0	28.5	3.61	34.4	27.3	4.02

DS4BE-048K + C6B(A,H)-X48(C,U)-(C,D)+VSB
 DS4BE-048K + B4VM-X48K-C

CFM	O.D.T		75°F			85°F			95°F			105°F			115°F		
	E.D.B.	E.W.B.	T.C.	S.C.	K.W.	T.C.	S.C.	K.W.	T.C.	S.C.	K.W.	T.C.	S.C.	K.W.	T.C.	S.C.	K.W.
1400	80	62	48.1	41.8	2.97	45.9	41.0	3.32	43.6	40.3	3.67	41.1	39.8	4.07	38.5	38.1	4.53
	80	67	51.9	35.1	2.98	49.6	34.2	3.34	47.0	33.1	3.68	44.3	32.0	4.07	41.3	30.8	4.53
	80	72	56.7	28.0	2.98	54.1	27.2	3.35	51.2	26.2	3.69	47.9	25.2	4.08	44.5	24.0	4.54
	75	63	48.5	34.1	2.98	46.3	33.1	3.33	43.9	32.1	3.67	41.3	30.9	4.07	38.5	29.7	4.54
1500	80	62	48.6	43.4	3.02	46.5	42.5	3.36	44.1	42.2	3.71	41.7	41.0	4.10	39.2	39.2	4.57
	80	67	52.4	36.3	3.02	50.0	35.3	3.38	47.4	34.2	3.72	44.6	33.1	4.11	41.6	31.8	4.57
	80	72	57.2	28.8	3.03	54.3	27.9	3.39	51.2	26.9	3.73	48.1	25.8	4.12	44.8	24.6	4.58
	75	63	49.0	35.2	3.02	46.7	34.2	3.37	44.3	33.1	3.71	41.7	31.9	4.11	38.8	30.7	4.58
1600	80	62	48.9	45.5	3.10	47.0	44.3	3.40	44.6	43.4	3.74	42.2	42.2	4.14	39.7	39.7	4.61
	80	67	53.0	37.4	3.07	50.4	36.4	3.41	47.8	35.3	3.76	44.9	34.1	4.15	41.8	32.9	4.61
	80	72	57.1	29.5	3.07	54.3	28.6	3.43	51.5	27.6	3.77	48.4	26.5	4.16	45.0	25.3	4.61
	75	63	49.4	36.2	3.07	47.1	35.2	3.41	44.6	34.1	3.75	41.9	32.9	4.15	39.0	31.6	4.61

DS4BE-060K + C6B(A,H)-X60(C,U)-(C,D)+VSB
 DS4BE-060K + B4VM-X60K-C

CFM	O.D.T		75°F			85°F			95°F			105°F			115°F		
	E.D.B.	E.W.B.	T.C.	S.C.	K.W.	T.C.	S.C.	K.W.	T.C.	S.C.	K.W.	T.C.	S.C.	K.W.	T.C.	S.C.	K.W.
1600	80	62	60.2	50.0	3.76	57.5	49.0	4.21	54.6	48.2	4.65	51.4	47.7	5.15	48.0	45.9	5.73
	80	67	65.1	42.6	3.79	62.2	41.4	4.25	59.0	39.9	4.69	55.5	38.5	5.20	51.7	36.9	5.78
	80	72	71.3	34.2	3.82	68.1	33.1	4.30	64.4	31.9	4.75	60.5	30.5	5.25	56.0	29.1	5.83
	75	63	60.7	41.2	3.77	58.0	40.0	4.22	55.1	38.7	4.66	51.8	37.3	5.16	48.2	35.7	5.74
1700	80	62	60.7	51.6	3.81	58.1	50.6	4.25	55.1	50.3	4.70	51.9	49.1	5.20	48.5	47.7	5.78
	80	67	65.8	43.5	3.83	62.8	42.4	4.29	59.5	41.0	4.74	55.9	39.6	5.24	52.0	38.0	5.82
	80	72	72.1	35.0	3.89	68.5	33.9	4.34	64.8	32.6	4.79	60.7	31.3	5.29	56.0	29.8	5.87
	75	63	61.5	42.3	3.82	58.6	41.1	4.26	55.6	39.8	4.71	52.2	38.3	5.21	48.6	36.7	5.78
1800	80	62	61.1	54.1	3.91	58.7	52.7	4.29	55.7	51.7	4.74	52.4	51.0	5.24	48.9	48.9	5.82
	80	67	66.4	44.7	3.89	63.3	43.5	4.33	59.9	42.1	4.78	56.3	40.6	5.28	52.3	39.0	5.86
	80	72	72.3	35.8	3.93	68.9	34.6	4.38	65.0	33.3	4.83	60.7	32.0	5.33	56.3	30.4	5.91
	75	63	61.9	43.3	3.87	59.1	42.2	4.30	56.0	40.8	4.75	52.6	39.3	5.25	48.9	37.7	5.82



We Encourage Professionalism



Through Technician Certification by NATE



GENERAL TERMS OF LIMITED WARRANTY

NORDYNE will furnish a replacement for any part of this product which fails in normal use and service within the first year of installation, in accordance with the terms of the warranty.

For complete details of the Limited Warranty, including applicable terms and conditions, see your local installer or contact the NORDYNE warranty department for a copy.

NORDYNE
 COMPLETE COMFORT. GENUINE VALUE.

8000 Phoenix Parkway | O'Fallon, MO 63368-3827

Specifications and illustrations subject to change without notice and without incurring obligations. Printed in U.S.A 12/2009)

475D-1209 (Replaces 475D-0809)