

TECHNICAL SPECIFICATIONS

DS4BE Series

R-410A High Efficiency Air Conditioner

14 SEER Split System 1.5 – 5 Ton Capacity

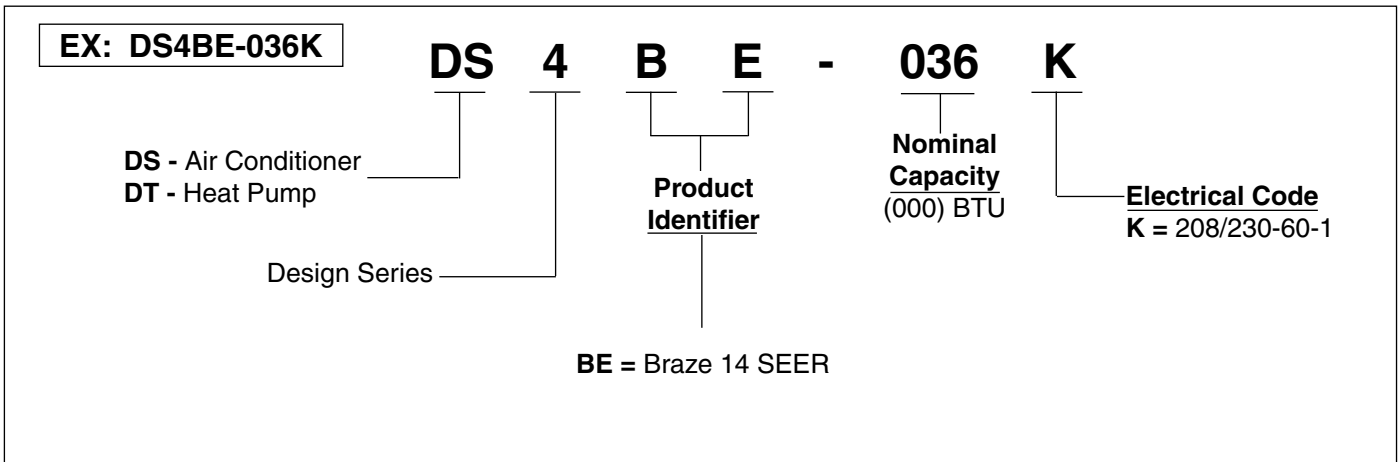
The DS4BE Series now offers the choice of an air conditioner that uses a more efficient and environmentally friendly refrigerant designated R-410A. The DS4BE Series of air conditioners offers exceptional performance. The unit, when combined with our engineered coils or air handlers, offers a full line of quality, split system cooling equipment.



FEATURES and BENEFITS

- **R-410A Refrigerant:** Earth friendly non-ozone depleting refrigerant.
- **Composite Base Pan:** Absorbs sound and is corrosion resistant. Composite is also stronger and lighter than steel.
- **Copper Tube / Aluminum Fin Coils:** Both indoor and outdoor coils are designed to optimize heat transfer, minimize size and cost, and increase durability and reliability.
- **Permanently Lubricated Motor:** A heavy duty PSC motor for long lasting reliability and quiet operation. Requires no maintenance and is completely protected from rain and snow.
- **Durable, Attractive Cabinet:** Designed using galvanized steel with a polyester urethane finish. The 950 hour salt spray finish is 1.5 mil thick and resists corrosion 50% better than comparable units.
- **Removable Top Grille Assembly:** Allows ease of service from the top without disconnecting fan motor leads.
- **High Pressure Switch:** Protects against abnormally high system pressures. Auto-reset feature prevents nuisance service visits.
- **Liquid Line Filter Drier:** Included with unit, field installed.
- **One Piece Top/Orifice:** Designed for maximum airflow and quiet operation.
- **Easy Compressor and Control Access:** Designed to make servicing easier for the contractor, access panels are provided to all controls and the compressor from the side of the unit.
- **Steel Guard™:** Protects the unit's coil from being damaged by balls, lawnmowers, hail etc.

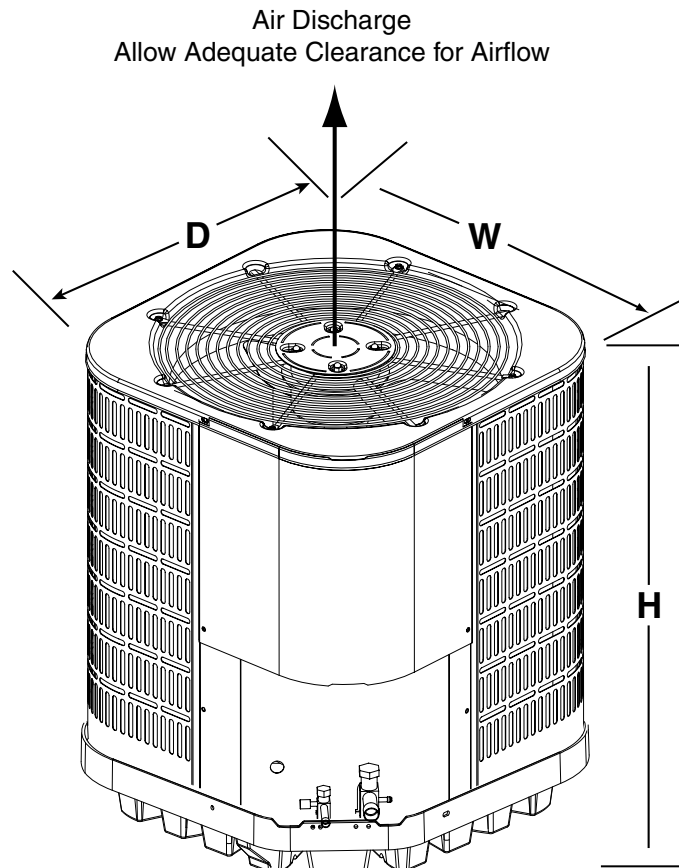
MODEL IDENTIFICATION CODES



DIMENSIONS

AIR CONDITIONER OUTDOOR SECTION

DS4BE	018K	024K	030K	036K	042K	048K	060K
H	31	31	35	39	43	43	43
W	30 3/4	30 3/4	30 3/4	30 3/4	30 3/4	30 3/4	30 3/4
D	30 3/4	30 3/4	30 3/4	30 3/4	30 3/4	30 3/4	30 3/4



PHYSICAL AND ELECTRICAL SPECIFICATIONS / OUTDOOR UNITS

14 SEER — High Efficiency — Single Phase

Model Number DS4BE		018K	024K	030K	036K	042K	048K	060K	
Electrical Data	Volts-Cycles-Phase (1)	208/230-60-1	208/230-60-1	208/230-60-1	208/230-60-1	208/230-60-1	208/230-60-1	208/230-60-1	
	Total Amps	9.9	14.4	15	15.1	19.3	21.2	27.6	
	Delay Fuse Max. (2)	20	30	30	30	40	45	60	
	Min. Circuit Ampacity	12.1	17.7	18.5	18.6	23.8	26.2	34.2	
Condenser Data	Coil	Area	17.5	17.5	20.3	22.8	25.4	25.4	25.4
		Rows-FPI	1-22	1-22	1-22	1-22	1-22	2-16	2-16
		Tube Dia	3/8" O.D.	3/8" O.D.	3/8" O.D.	3/8" O.D.	3/8" O.D.	3/8" O.D.	3/8" O.D.
	Fan Motor	Type	PSC	PSC	PSC	PSC	PSC	PSC	PSC
		Amps	0.9	0.9	0.9	1	1.4	1.4	1.4
		HP	0.13	0.13	0.13	0.25	0.25	0.25	0.25
	Fan Blade	Dia-# Blades	24"-2	24"-2	24"-2	24"-2	24"-2	24"-2	24"-2
		SCFM	3000	3000	3200	3300	3600	3800	3800
	Compressor Data	RLA	9	13.4	14.1	14.1	17.9	19.5	26.2
		LRA	48	58.3	73	77	112	109	134
Refrigerant suction line O.D. (all length of liquid line are 3/8" O.D.)	0-24 ft.	3/4"	3/4"	3/4"	3/4"	7/8"	7/8"	7/8"	
	25-39 ft.	3/4"	3/4"	3/4"	7/8" (3)	7/8"	7/8"	1 1/8" (4)	
	40-45 ft.	3/4"	3/4"	3/4"	7/8" (3)	7/8"	7/8"	1 1/8" (4)	
Weight Approximate (lbs.)	Net	162	166	171	176	181	220	223	
	Ship	171	175	180	185	190	232	235	
Sound Ratings db		73	73	73	73	79	79	79	

- (1) Operating Voltage Range: 187v min. — 253v max.
(2) HACR Type Circuit Breakers may be used.
(3) Requires 7/8" to 3/4" reducer from line to unit.
(4) Requires 7/8" to 1-1/8" reducer from line to unit.

ACCESSORIES - Condensing Unit

Start Assist Kit - 912933

Provides additional starting torque for the compressor motor when operating with low line voltage or high operating temperatures.

SYSTEM COOLING CAPACITIES

14 SEER — High Efficiency — Single Phase

Outdoor Unit	Indoor Unit	Coil Height	Cooling Capacity	SEER	EER	CFM
DS4BE-018K	C8(B,D)AM01830U-B+TXV	20"	18,000	14.00	12.20	600
DS4BE-024K	C8(B,D)AM01830U-B+TXV	20"	23,400	14.00	12.20	755
DS4BE-030K	C8(B,D)AM01830U-B+TXV	20"	29,800	14.00	12.20	950
DS4BE-036K	C8(B,D)AM036-B+TXV	20"	34,200	14.00	11.90	1170
DS4BE-042K	C8(B,D)AM042-B+TXV	26"	40,000	14.00	11.60	1290

Outdoor Unit	Indoor Unit	BTUH	SEER	EER	CFM
DS4BE-018K	B6BM-X24K-A	18,000	14	12.2	555
DS4BE-018K	B6BM-X24K-B	18,000	14	12.2	555
DS4BE-024K	B6BM-X24K-A	24,000	14	12.2	750
DS4BE-024K	B6BM-X24K-B	24,000	14	12.2	750
DS4BE-024K	B6BM-X30K-B	24,000	14	12.2	750
DS4BE-030K	B6BM-X30K-A	29,400	14	12.2	885
DS4BE-030K	B6BM-X30K-B	29,400	14	12.2	885
DS4BE-036K	B6BM-X36K-B	35,200	14	12.2	1085
DS4BE-042K	B6BM-X42K-B	41,500	14	12.2	1250
DS4BE-048K	B6BM-X48K-C	47,000	14	11.7	1500
DS4BE-060K	B6BM-X60K-C	59,000	14	11.7	1700

See current AHRI Directory for certified combinations and ratings. All ratings are with time delay relay.
www.ahridirectory.org

14 SEER + LOOSE COIL COOLING EXPANDED RATINGS

DS4BE-018K C8(B,D)AM01830U-B + TXV Kit

O.D.T			65°F			75°F			85°F			95°F			105°F			115°F		
CFM	E.D.B.	E.W.B.	T.C.	S.C.	K.W.	T.C.	S.C.	K.W.	T.C.	S.C.	K.W.	T.C.	S.C.	K.W.	T.C.	S.C.	K.W.	T.C.	S.C.	K.W.
525	80	62	19.1	14.8	1.09	18.4	14.7	1.23	17.6	14.7	1.37	16.8	14.5	1.52	15.90	15.26	1.69	14.95	14.35	1.88
	80	67	21.0	12.0	1.09	20.1	11.9	1.22	19.2	12.0	1.37	18.3	11.8	1.52	17.35	11.60	1.69	16.30	10.76	1.88
	80	72	23.2	9.4	1.08	22.3	9.3	1.22	21.4	9.5	1.37	20.3	9.3	1.52	19.23	9.17	1.69	18.06	9.41	1.88
	75	63	19.3	11.6	1.09	18.6	11.5	1.23	17.8	11.6	1.36	16.9	11.4	1.52	16.01	10.44	1.69	15.00	11.22	1.88
600	80	62	19.6	15.9	1.12	18.9	16.2	1.25	18.1	15.9	1.39	17.2	15.7	1.54	16.35	15.67	1.71	15.54	15.41	1.91
	80	67	21.5	12.8	1.11	20.6	13.1	1.25	19.7	12.8	1.39	18.7	12.6	1.55	17.70	12.63	1.72	16.60	12.60	1.91
	80	72	23.8	9.9	1.11	22.8	10.3	1.25	21.8	10.0	1.40	20.7	9.9	1.55	19.56	10.00	1.72	18.33	10.06	1.91
	75	63	19.8	12.3	1.12	19.0	12.6	1.25	18.2	12.3	1.39	17.3	12.1	1.54	16.33	12.10	1.71	15.29	12.03	1.91
675	80	62	20.1	17.2	1.14	19.3	17.3	1.28	18.5	17.0	1.42	17.8	16.8	1.57	16.96	16.38	1.74	16.05	15.98	1.94
	80	67	21.9	13.7	1.14	21.0	13.9	1.27	20.1	13.5	1.42	19.0	13.4	1.57	17.98	13.33	1.74	16.84	13.37	1.94
	80	72	24.2	10.6	1.13	23.2	10.8	1.28	22.1	10.5	1.42	21.0	10.5	1.58	19.75	10.48	1.75	18.42	10.60	1.94
	75	63	20.2	13.2	1.14	19.4	13.3	1.28	18.5	13.0	1.42	17.6	12.9	1.57	16.59	12.75	1.74	15.52	12.74	1.94

DS4BE-024K C8(B,D)AM01830U-B + TXV Kit

O.D.T			65°F			75°F			85°F			95°F			105°F			115°F		
CFM	E.D.B.	E.W.B.	T.C.	S.C.	K.W.	T.C.	S.C.	K.W.	T.C.	S.C.	K.W.	T.C.	S.C.	K.W.	T.C.	S.C.	K.W.	T.C.	S.C.	K.W.
700	80	62	24.3	19.0	1.39	23.4	18.9	1.54	22.4	19.0	1.71	21.4	18.7	1.89	20.29	19.66	2.10	19.14	18.54	2.34
	80	67	26.5	15.3	1.38	25.5	15.2	1.55	24.4	15.3	1.72	23.3	15.0	1.90	22.03	14.81	2.11	20.73	13.85	2.34
	80	72	29.3	11.9	1.38	28.1	11.8	1.55	26.9	12.1	1.73	25.6	11.8	1.91	24.28	11.67	2.12	22.83	11.98	2.35
	75	63	24.5	14.8	1.39	23.6	14.7	1.55	22.6	14.8	1.71	21.5	14.5	1.89	20.40	13.42	2.10	19.20	14.40	2.34
800	80	62	24.9	20.4	1.42	24.0	20.9	1.58	23.0	20.4	1.75	21.9	20.2	1.93	20.90	20.11	2.14	19.91	19.74	2.38
	80	67	27.1	16.2	1.42	26.0	16.7	1.58	24.9	16.3	1.76	23.7	16.1	1.94	22.44	16.11	2.15	21.08	16.10	2.38
	80	72	29.9	12.5	1.42	28.7	13.1	1.59	27.4	12.7	1.77	26.1	12.6	1.95	24.63	12.70	2.16	23.10	12.80	2.39
	75	63	25.1	15.7	1.42	24.1	16.1	1.58	23.1	15.7	1.75	22.0	15.5	1.93	20.78	15.46	2.14	19.51	15.40	2.38
900	80	62	25.5	22.1	1.46	24.5	22.3	1.62	23.5	21.8	1.79	22.7	21.5	1.97	21.63	20.90	2.18	20.50	20.42	2.42
	80	67	27.6	17.4	1.46	26.5	17.6	1.62	25.3	17.2	1.79	24.1	17.1	1.98	22.75	17.00	2.19	21.35	17.07	2.42
	80	72	30.4	13.4	1.46	29.1	13.7	1.63	27.8	13.3	1.80	26.3	13.3	1.99	24.80	13.30	2.20	23.25	13.45	2.43
	75	63	25.6	16.8	1.45	24.6	17.0	1.62	23.5	16.5	1.79	22.3	16.4	1.97	21.07	16.28	2.18	19.76	16.29	2.41

DS4BE-030K C8(B,D)AM01830U-B + TXV Kit

O.D.T			65°F			75°F			85°F			95°F			105°F			115°F		
CFM	E.D.B.	E.W.B.	T.C.	S.C.	K.W.	T.C.	S.C.	K.W.	T.C.	S.C.	K.W.	T.C.	S.C.	K.W.	T.C.	S.C.	K.W.	T.C.	S.C.	K.W.
875	80	62	30.2	23.3	1.72	29.1	23.2	1.91	28.0	23.3	2.11	26.7	22.9	2.34	25.42	23.96	2.60	23.98	22.61	2.90
	80	67	33.0	19.4	1.73	31.7	19.2	1.92	30.5	19.4	2.12	29.1	19.1	2.35	27.71	18.82	2.61	26.14	17.49	2.91
	80	72	36.4	15.1	1.75	34.9	15.1	1.94	33.5	15.4	2.14	31.9	15.1	2.37	30.17	14.92	2.63	28.28	15.28	2.92
	75	63	30.6	18.8	1.72	29.4	18.6	1.91	28.3	18.8	2.11	27.0	18.4	2.34	25.66	17.05	2.61	24.18	18.27	2.90
1000	80	62	30.9	24.9	1.77	29.8	25.4	1.96	28.6	24.8	2.16	27.3	24.5	2.39	25.96	24.37	2.65	24.52	24.09	2.95
	80	67	33.7	20.5	1.78	32.4	21.1	1.97	31.0	20.6	2.17	29.7	20.4	2.40	28.19	20.43	2.66	26.57	20.42	2.96
	80	72	36.9	15.9	1.80	35.3	16.6	1.99	33.6	16.2	2.19	32.1	16.0	2.42	30.50	16.11	2.68	28.76	16.19	2.97
	75	63	31.2	19.9	1.77	30.1	20.4	1.96	28.8	19.9	2.16	27.5	19.6	2.39	26.12	19.59	2.65	24.58	19.52	2.95
1125	80	62	31.5	26.7	1.81	30.3	26.8	2.01	29.1	26.2	2.21	27.8	25.9	2.44	26.50	25.42	2.70	25.11	25.01	3.00
	80	67	34.2	22.0	1.83	32.9	22.2	2.02	31.5	21.7	2.22	30.1	21.7	2.45	28.56	21.52	2.71	26.88	21.61	3.01
	80	72	37.1	17.0	1.85	35.6	17.3	2.03	34.1	16.8	2.25	32.5	16.8	2.47	30.87	16.74	2.73	29.08	16.93	3.02
	75	63	31.8	21.2	1.82	30.5	21.4	2.01	29.3	20.9	2.21	27.9	20.8	2.44	26.46	20.59	2.70	24.85	20.61	3.00

DS4BE-036K C8(B,D)AM036U-B+TXV

O.D.T			65°F			75°F			85°F			95°F			105°F			115°F		
CFM	E.D.B.	E.W.B.	T.C.	S.C.	K.W.	T.C.	S.C.	K.W.	T.C.	S.C.	K.W.	T.C.	S.C.	K.W.	T.C.	S.C.	K.W.	T.C.	S.C.	K.W.
1050	80	62	35.5	27.9	2.01	34.1	27.8	2.24	32.6	27.9	2.47	31.1	27.5	2.73	29.41	28.77	3.03	27.77	27.16	3.38
	80	67	38.7	22.4	2.03	37.1	22.2	2.25	35.4	22.4	2.49	33.7	22.0	2.75	31.89	21.62	3.05	29.93	20.30	3.39
	80	72	42.6	17.4	2.05	40.8	17.3	2.28	39.0	17.6	2.51	37.1	17.3	2.78	35.10	17.00	3.07	32.92	17.42	3.42
	75	62	35.2	22.7	2.01	33.8	22.4	2.23	32.3	22.6	2.46	30.7	22.1	2.73	29.03	20.31	3.03	27.18	21.83	3.37
1200	80	62	36.4	30.1	2.07	34.9	30.7	2.29	33.4	30.1	2.52	31.8	29.8	2.79	30.51	29.45	3.09	28.91	28.67	3.44
	80	67	39.6	23.8	2.08	38.0	24.5	2.31	36.2	23.8	2.55	34.4	23.5	2.80	32.46	23.53	3.10	30.43	23.49	3.45
	80	72	43.5	18.3	2.11	41.7	19.1	2.33	39.8	18.5	2.57	37.7	18.4	2.83	35.60	18.52	3.13	33.25	18.63	3.47
	75	62	36.0	24.1	2.07	34.5	24.6	2.28	33.0	24.0	2.52	31.3	23.6	2.78	29.54	23.55	3.08	27.67	23.43	3.43
1350	80	62	37.2	32.6	2.12	35.7	32.8	2.34	34.4	31.9	2.58	33.1	31.4	2.84	31.46	30.40	3.14	29.75	29.62	3.49
	80	67	40.3	25.5	2.14	38.6	25.8	2.36	36.8	25.1	2.60	34.9	25.0	2.86	32.92	24.85	3.16	30.82	24.93	3.50
	80	72	44.2	19.6	2.17	42.3	20.0	2.39	40.3	19.4	2.63	38.1	19.5	2.89	35.88	19.38	3.18	33.61	19.58	3.52
	75	62	36.7	25.8	2.12	35.1	26.0	2.34	33.5	25.3	2.57	31.8	25.1	2.84	30.03	25.72	3.14	28.14	25.74	3.48

14 SEER + LOOSE COIL COOLING EXPANDED RATINGS (CONTINUED)

DS4BE-042K C8(B,D)AM042U-B + TXV Kit

O.D.T			65°F			75°F			85°F			95°F			105°F			115°F		
CFM	E.D.B.	E.W.B.	T.C.	S.C.	K.W.	T.C.	S.C.	K.W.	T.C.	S.C.	K.W.	T.C.	S.C.	K.W.	T.C.	S.C.	K.W.	T.C.	S.C.	K.W.
1225	80	62	41.4	32.3	2.54	39.9	32.1	2.78	38.2	32.3	3.05	36.4	31.6	3.36	34.50	33.12	3.72	32.50	31.20	4.12
	80	67	45.2	26.7	2.55	43.4	26.5	2.79	41.6	26.8	3.07	39.6	26.3	3.38	37.59	25.92	3.74	35.38	24.12	4.14
	80	72	49.6	20.7	2.57	47.7	20.6	2.82	45.6	21.0	3.10	43.4	20.6	3.41	40.94	20.32	3.77	38.34	20.84	4.18
	75	63	42.0	25.9	2.54	40.4	25.7	2.78	38.7	25.9	3.05	36.9	25.4	3.36	34.91	23.47	3.72	32.83	25.18	4.12
1400	80	62	42.3	34.5	2.61	40.7	35.2	2.85	39.0	34.4	3.12	37.1	33.9	3.43	35.20	33.58	3.79	33.25	32.97	4.19
	80	67	46.1	28.4	2.63	44.3	29.2	2.86	42.4	28.5	3.14	40.3	28.2	3.45	38.12	28.16	3.81	35.84	28.14	4.22
	80	72	50.4	21.7	2.64	48.3	22.8	2.89	46.1	22.1	3.17	43.7	21.9	3.48	41.35	22.02	3.84	38.86	22.12	4.24
	75	63	42.8	27.5	2.61	41.2	28.2	2.85	39.4	27.4	3.12	37.5	27.1	3.43	35.42	27.02	3.79	33.31	26.93	4.19
1575	80	62	43.0	37.0	2.68	41.4	37.1	2.91	39.6	36.2	3.19	37.8	35.6	3.50	35.97	34.76	3.86	34.12	33.97	4.26
	80	67	46.8	30.4	2.69	44.9	30.7	2.93	43.0	30.0	3.21	40.8	29.9	3.52	38.60	29.69	3.88	36.22	29.81	4.29
	80	72	50.8	23.3	2.71	48.7	23.8	2.95	46.6	23.1	3.23	44.2	23.1	3.55	41.81	22.93	3.91	39.25	23.18	4.31
	75	63	43.5	29.3	2.68	41.8	29.6	2.92	39.9	28.9	3.19	37.9	28.7	3.50	35.86	28.44	3.86	33.61	28.46	4.26

14 SEER AHU COOLING EXPANDED RATINGS

DS4BE-018K with B6BM-X24K-(A,B)

CFM	O.D.T		75°F			85°F			95°F			105°F			115°F		
	E.D.B.	E.W.B.	T.C.	S.C.	K.W.	T.C.	S.C.	K.W.	T.C.	S.C.	K.W.	T.C.	S.C.	K.W.	T.C.	S.C.	K.W.
505	80	62	19.1	15.8	1.23	18.2	15.5	1.36	17.4	15.3	1.50	16.4	15.2	1.67	15.4	14.6	1.85
	80	67	20.7	13.4	1.23	19.8	13.0	1.36	18.9	12.7	1.51	17.8	12.2	1.67	16.7	11.7	1.85
	80	72	22.7	10.8	1.23	21.7	10.5	1.35	20.6	10.1	1.51	19.4	9.7	1.67	18.1	9.3	1.85
	75	63	19.2	13.0	1.23	18.4	12.6	1.36	17.5	12.2	1.51	16.5	11.8	1.67	15.4	11.3	1.85
555	80	62	19.4	16.7	1.25	18.6	16.4	1.38	17.7	16.3	1.52	16.7	16.0	1.69	15.7	15.5	1.87
	80	67	21.1	14.0	1.25	20.1	13.6	1.37	19.2	13.2	1.52	18.1	12.8	1.69	16.9	12.3	1.87
	80	72	22.9	11.2	1.25	21.8	10.9	1.37	20.8	10.5	1.52	19.6	10.1	1.69	18.3	9.6	1.87
	75	63	19.6	13.6	1.25	18.7	13.2	1.38	17.8	12.8	1.52	16.8	12.3	1.69	15.6	11.8	1.87
605	80	62	19.7	17.9	1.27	18.9	17.3	1.39	18.0	17.1	1.54	17.0	16.8	1.70	16.0	16.0	1.89
	80	67	21.4	14.6	1.27	20.4	14.2	1.39	19.4	13.8	1.54	18.3	13.4	1.71	17.0	12.9	1.89
	80	72	23.1	11.6	1.27	22.1	11.2	1.39	21.0	10.8	1.54	19.8	10.4	1.71	18.5	9.9	1.89
	75	63	19.8	14.1	1.28	18.9	13.7	1.39	18.0	13.3	1.54	17.0	12.9	1.71	15.8	12.3	1.89

DS4BE-024K with B6BM-X24K-(A,B)

CFM	O.D.T		75°F			85°F			95°F			105°F			115°F		
	E.D.B.	E.W.B.	T.C.	S.C.	K.W.	T.C.	S.C.	K.W.	T.C.	S.C.	K.W.	T.C.	S.C.	K.W.	T.C.	S.C.	K.W.
650	80	62	23.9	20.2	1.54	22.9	19.8	1.70	21.7	19.5	1.89	20.5	19.3	2.10	19.2	18.6	2.34
	80	67	25.9	17.1	1.55	24.8	16.6	1.71	23.6	16.1	1.89	22.3	15.6	2.11	20.8	15.0	2.35
	80	72	28.7	13.7	1.56	27.4	13.2	1.72	26.0	12.8	1.90	24.5	12.3	2.12	22.9	11.7	2.36
	75	63	24.1	16.6	1.55	23.1	16.1	1.71	22.0	15.6	1.89	20.7	15.0	2.10	19.3	14.4	2.34
750	80	62	24.5	21.8	1.59	23.5	21.4	1.74	22.3	21.3	1.93	21.1	20.8	2.14	19.8	19.8	2.38
	80	67	26.6	18.3	1.59	25.4	17.8	1.74	24.1	17.3	1.93	22.7	16.7	2.14	21.2	16.1	2.38
	80	72	29.2	14.5	1.60	27.9	14.0	1.75	26.4	13.5	1.94	24.9	13.0	2.16	23.1	12.5	2.39
	75	63	24.7	17.7	1.59	23.6	17.2	1.74	22.4	16.7	1.93	21.1	16.1	2.14	19.7	15.5	2.38
850	80	62	25.1	23.7	1.63	24.0	23.0	1.78	22.9	22.4	1.97	21.7	21.7	2.18	20.4	20.4	2.42
	80	67	27.1	19.4	1.63	25.8	18.9	1.78	24.5	18.4	1.97	23.0	17.8	2.18	21.4	17.2	2.42
	80	72	29.5	15.2	1.64	28.2	14.8	1.79	26.6	14.3	1.98	24.9	13.7	2.19	23.2	13.1	2.43
	75	63	25.2	18.7	1.63	24.0	18.2	1.78	22.8	17.7	1.97	21.4	17.1	2.18	19.9	16.4	2.42

DS4BE-030K with B6BM-X24K-(A,B)

CFM	O.D.T		75°F			85°F			95°F			105°F			115°F		
	E.D.B.	E.W.B.	T.C.	S.C.	K.W.	T.C.	S.C.	K.W.	T.C.	S.C.	K.W.	T.C.	S.C.	K.W.	T.C.	S.C.	K.W.
785	80	62	29.3	24.4	1.90	28.0	23.9	2.09	26.7	23.6	2.32	25.3	23.3	2.57	23.6	22.5	2.87
	80	67	31.7	20.6	1.90	30.3	20.0	2.10	28.9	19.4	2.32	27.3	18.8	2.58	25.5	18.1	2.87
	80	72	34.7	16.6	1.90	33.1	16.1	2.10	31.5	15.5	2.33	29.6	14.9	2.59	27.7	14.2	2.88
	75	63	29.5	20.0	1.90	28.3	19.4	2.09	26.9	18.8	2.32	25.4	18.2	2.58	23.8	17.4	2.87
885	80	62	29.9	26.0	1.94	28.7	25.5	2.13	27.3	25.3	2.36	25.8	24.8	2.61	24.2	24.0	2.91
	80	67	32.4	21.8	1.94	30.9	21.2	2.13	29.4	20.6	2.36	27.8	19.9	2.62	25.9	19.2	2.91
	80	72	35.0	17.3	1.95	33.4	16.8	2.14	31.8	16.2	2.37	30.0	15.6	2.63	28.0	14.9	2.92
	75	63	30.2	21.1	1.94	28.8	20.5	2.13	27.4	19.9	2.36	25.9	19.2	2.61	24.1	18.5	2.91
985	80	62	30.5	28.0	1.99	29.2	27.2	2.17	27.8	26.7	2.39	26.3	26.3	2.65	24.8	24.8	2.95
	80	67	32.9	22.9	1.99	31.4	22.3	2.17	29.8	21.7	2.40	28.1	21.0	2.66	26.2	20.2	2.95
	80	72	35.5	18.0	2.00	33.9	17.5	2.18	32.2	16.9	2.41	30.4	16.3	2.67	28.3	15.6	2.96
	75	63	30.6	22.1	1.99	29.2	21.6	2.17	27.8	20.9	2.40	26.2	20.2	2.65	24.4	19.4	2.95

DS4BE-036K with B6BM-X36K-B

CFM	O.D.T		75°F			85°F			95°F			105°F			115°F		
	E.D.B.	E.W.B.	T.C.	S.C.	K.W.	T.C.	S.C.	K.W.	T.C.	S.C.	K.W.	T.C.	S.C.	K.W.	T.C.	S.C.	K.W.
985	80	62	35.4	30.1	2.26	33.9	29.5	2.49	32.1	29.0	2.77	30.2	28.7	3.07	28.1	27.5	3.43
	80	67	38.4	25.4	2.27	36.7	24.7	2.51	34.8	23.9	2.78	32.7	23.0	3.09	30.3	22.1	3.44
	80	72	42.2	20.3	2.29	40.3	19.7	2.53	38.1	18.9	2.80	35.6	18.1	3.11	32.8	17.3	3.46
	75	63	35.7	24.6	2.27	34.2	23.9	2.50	32.4	23.1	2.77	30.4	22.2	3.08	28.2	21.3	3.43
1085	80	62	36.0	31.8	2.31	34.4	31.1	2.53	32.6	30.9	2.81	30.7	30.1	3.12	28.7	28.7	3.47
	80	67	39.0	26.5	2.32	37.2	25.8	2.55	35.2	25.0	2.82	33.1	24.1	3.13	30.7	23.2	3.48
	80	72	42.5	21.1	2.34	40.6	20.4	2.57	38.3	19.7	2.84	35.7	18.8	3.15	33.2	17.9	3.50
	75	63	36.3	25.7	2.31	34.7	25.0	2.54	32.8	24.2	2.81	30.8	23.3	3.12	28.5	22.3	3.47
1185	80	62	36.5	33.9	2.36	35.0	32.9	2.57	33.2	32.2	2.85	31.3	31.3	3.16	29.4	29.4	3.51
	80	67	39.5	27.7	2.37	37.7	27.0	2.59	35.7	26.1	2.86	33.4	25.2	3.17	31.0	24.2	3.52
	80	72	42.7	21.8	2.39	40.7	21.2	2.61	38.5	20.4	2.88	36.1	19.5	3.19	33.4	18.5	3.54
	75	63	36.8	26.7	2.36	35.1	26.0	2.58	33.2	25.2	2.85	31.1	24.2	3.16	28.8	23.2	3.51

14 SEER AHU COOLING EXPANDED RATINGS (CONTINUED)

DS4BE-042K with B6BM-X42K-B

CFM	O.D.T		75°F			85°F			95°F			105°F			115°F		
	E.D.B.	E.W.B.	T.C.	S.C.	K.W.	T.C.	S.C.	K.W.	T.C.	S.C.	K.W.	T.C.	S.C.	K.W.	T.C.	S.C.	K.W.
1150	80	62	41.8	35.3	2.69	40.0	34.6	2.97	37.9	34.0	3.29	35.6	33.6	3.65	33.2	32.3	4.05
	80	67	45.2	29.7	2.70	43.3	28.9	2.98	41.0	28.0	3.29	38.5	27.0	3.65	35.8	25.9	4.05
	80	72	49.6	23.9	2.70	47.4	23.1	2.98	44.8	22.2	3.29	41.9	21.3	3.65	38.8	20.3	4.06
	75	63	42.2	28.9	2.70	40.3	28.1	2.98	38.2	27.1	3.29	35.9	26.1	3.65	33.4	25.0	4.06
1250	80	62	42.4	36.9	2.74	40.6	36.1	3.01	38.4	35.9	3.32	36.1	35.0	3.68	33.7	33.7	4.09
	80	67	45.9	30.9	2.74	43.8	30.1	3.01	41.5	29.1	3.33	38.9	28.1	3.69	36.2	27.0	4.09
	80	72	50.0	24.6	2.75	47.7	23.9	3.02	45.1	23.0	3.33	42.0	22.0	3.69	39.0	20.9	4.09
	75	63	42.8	30.0	2.75	40.9	29.2	3.01	38.7	28.2	3.33	36.3	27.1	3.69	33.7	26.0	4.10
1350	80	62	42.9	39.1	2.79	41.1	38.0	3.05	39.0	37.3	3.36	36.7	36.5	3.72	34.4	34.4	4.13
	80	67	46.4	32.0	2.80	44.3	31.2	3.06	41.9	30.2	3.36	39.3	29.2	3.72	36.5	28.0	4.13
	80	72	50.2	25.3	2.80	48.0	24.6	3.06	45.2	23.7	3.37	42.3	22.7	3.73	39.3	21.6	4.13
	75	63	43.3	31.0	2.80	41.3	30.2	3.05	39.1	29.2	3.37	36.6	28.1	3.73	34.0	26.9	4.13

DS4BE-048K with B6BM-X48K-C

CFM	O.D.T		75°F			85°F			95°F			105°F			115°F		
	E.D.B.	E.W.B.	T.C.	S.C.	K.W.	T.C.	S.C.	K.W.	T.C.	S.C.	K.W.	T.C.	S.C.	K.W.	T.C.	S.C.	K.W.
1400	80	62	47.6	41.4	3.12	45.6	40.6	3.44	43.2	39.9	3.78	40.8	39.5	4.18	38.1	37.7	4.65
	80	67	51.4	34.7	3.13	49.2	33.8	3.45	46.6	32.7	3.79	43.9	31.6	4.19	40.9	30.4	4.65
	80	72	56.2	27.7	3.14	53.7	26.8	3.47	50.8	25.8	3.80	47.5	24.8	4.20	44.1	23.6	4.65
	75	63	48.0	33.7	3.12	45.9	32.7	3.44	43.5	31.7	3.79	40.9	30.5	4.18	38.1	29.3	4.65
1500	80	62	48.1	43.0	3.16	46.1	42.1	3.48	43.7	41.8	3.82	41.3	40.6	4.22	38.8	38.8	4.68
	80	67	52.0	35.8	3.18	49.7	34.9	3.49	47.1	33.9	3.83	44.3	32.7	4.22	41.2	31.5	4.68
	80	72	56.5	28.4	3.19	53.9	27.5	3.50	50.8	26.5	3.84	47.7	25.4	4.23	44.4	24.3	4.69
	75	63	48.5	34.7	3.17	46.4	33.8	3.48	43.9	32.7	3.82	41.3	31.5	4.22	38.4	30.3	4.69
1600	80	62	48.6	45.3	3.22	46.6	44.0	3.51	44.3	43.0	3.86	41.9	41.8	4.25	39.4	39.4	4.72
	80	67	52.5	36.9	3.23	50.1	36.0	3.53	47.4	34.9	3.87	44.5	33.8	4.26	41.4	32.5	4.72
	80	72	56.5	29.1	3.24	54.0	28.2	3.54	51.1	27.2	3.88	48.0	26.1	4.27	44.6	24.9	4.73
	75	63	48.9	35.7	3.22	46.7	34.8	3.52	44.2	33.7	3.86	41.6	32.5	4.26	38.6	31.2	4.73

DS4BE-060K with B6BM-X60K-C

CFM	O.D.T		75°F			85°F			95°F			105°F			115°F		
	E.D.B.	E.W.B.	T.C.	S.C.	K.W.	T.C.	S.C.	K.W.	T.C.	S.C.	K.W.	T.C.	S.C.	K.W.	T.C.	S.C.	K.W.
1600	80	62	59.6	49.6	3.92	57.1	48.7	4.32	54.2	47.8	4.77	51.0	47.3	5.27	47.6	45.5	5.84
	80	67	64.6	42.2	3.95	61.8	41.0	4.36	58.6	39.5	4.81	55.1	38.1	5.31	51.3	36.5	5.89
	80	72	70.9	33.8	3.99	67.7	32.7	4.41	64.0	31.5	4.86	60.1	30.1	5.37	55.6	28.7	5.94
	75	63	60.2	40.8	3.93	57.6	39.6	4.33	54.7	38.3	4.78	51.4	36.9	5.28	47.9	35.3	5.85
1700	80	62	60.3	51.3	3.97	57.7	50.2	4.36	54.7	49.9	4.81	51.6	48.8	5.31	48.1	47.3	5.89
	80	67	65.3	43.1	4.01	62.4	42.0	4.40	59.1	40.6	4.85	55.6	39.2	5.35	51.7	37.6	5.93
	80	72	71.3	34.5	4.06	68.1	33.5	4.46	64.4	32.2	4.90	60.3	30.9	5.41	55.6	29.4	5.98
	75	63	60.9	41.9	3.98	58.2	40.7	4.37	55.2	39.4	4.82	51.9	37.9	5.32	48.2	36.3	5.90
1800	80	62	60.8	53.8	4.03	58.3	52.3	4.41	55.3	51.3	4.85	52.0	50.6	5.35	48.5	48.5	5.93
	80	67	65.9	44.2	4.07	62.9	43.1	4.45	59.6	41.7	4.89	55.9	40.3	5.39	52.0	38.6	5.97
	80	72	71.7	35.3	4.12	68.5	34.2	4.50	64.6	33.0	4.94	60.3	31.6	5.44	55.9	30.0	6.02
	75	63	61.5	42.9	4.04	58.7	41.8	4.42	55.6	40.4	4.86	52.2	38.9	5.36	48.5	37.3	5.94



GENERAL TERMS OF LIMITED WARRANTY

For complete details of the Limited Warranty, including applicable terms and conditions, see your local installer or contact the NORDYNE warranty department for a copy.



COMPLETE COMFORT. GENUINE VALUE. 8000 Phoenix Parkway | O'Fallon, MO 63368-3827

Specifications and illustrations subject to change without notice and without incurring obligations. Printed in U.S.A 06/2012)

475D-0612 (Replaces 475D-0112)