

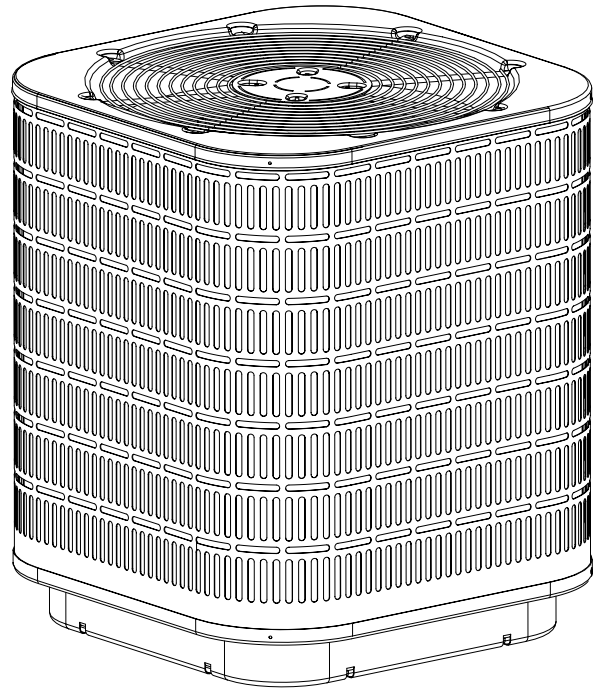


**DS4BE Series  
R-410A High Efficiency  
Air Conditioner  
14 SEER Residential System  
1.5 – 5 Ton Capacity**

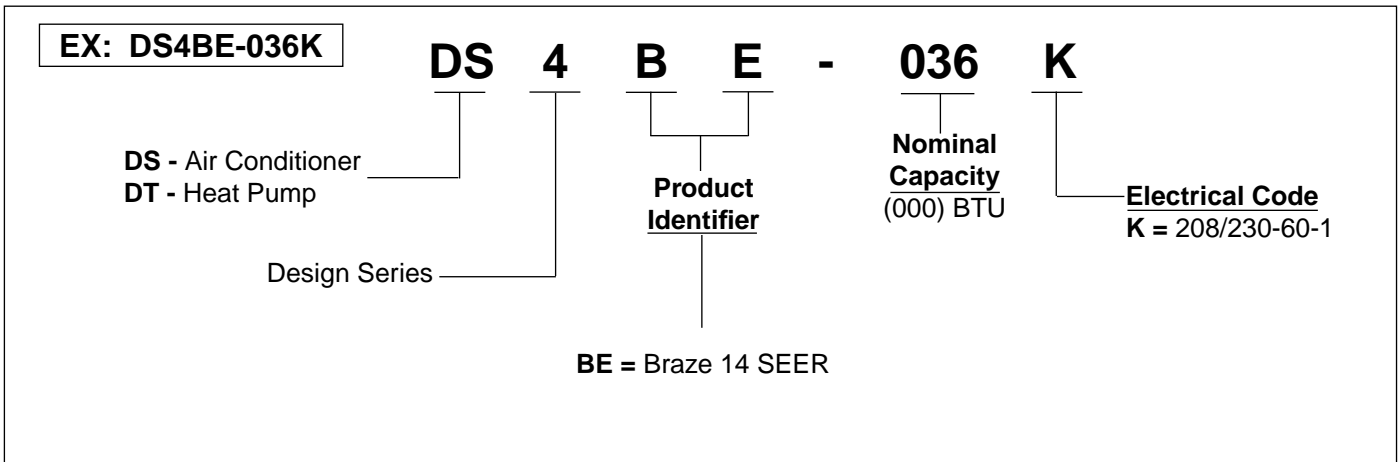
The DS4BE Series now offers the choice of an air conditioner that uses a more efficient and environmentally friendly refrigerant designated R-410A. The DS4BE Series of air conditioners offers exceptional performance. The unit, when combined with our engineered coils or air handlers, offers a full line of quality, split system cooling equipment.

**FEATURES and BENEFITS**

- **Warranty**
  - This product offers a 10-year all-parts warranty.
  - This product offers a 1 Year Quality Pledge to replace the unit if the compressor fails in the first year of operation, to the original owner. All split system products must be installed with a matched indoor air handler or indoor coil.
  - Consumer product registration required for 10 year All Parts Warranty and Quality Pledge within a limited period of time after the installation. See current warranty document or visit our consumer web site listed on the back of this document for warranty details.
- **R-410A Refrigerant** – Earth friendly non-ozone depleting refrigerant.
- **Designed using galvanized steel** – with a polyester urethane coat finish. The 950 hour salt spray finish resists corrosion 50% better than comparable units.
- **Copper Tube / Aluminum Fin Coils** – Both indoor and outdoor coils are designed to optimize heat transfer, minimize size and cost, and increase durability and reliability.
- **Permanently Lubricated Motor** – A heavy duty PSC motor for long lasting reliability and quiet operation. Requires no maintenance and is completely protected from rain and snow.
- **Full Port Suction Valve** – Full port brass ball valve provides low pressure drop and ease of service. The valve is actuated by 1/4 turn full open to full close.
- **Louvered Condenser Guard** – Durable metal guard protects the coil from yard hazards and extreme weather.
- **Removable Top Grille Assembly** – Allows ease of service from the top without disconnecting fan motor leads.
- **High Pressure Switch** – Protects against abnormally high system pressures. Auto-reset feature prevents nuisance service visits.
- **Liquid Line Filter Drier** – Included with unit, field installed.
- **One Piece Top/Orifice** – Designed for maximum airflow and quiet operation.
- **2-1/2" Pedestal Base** – The sturdy base keeps the bottom of the coil out of harms way. Secondly, the base has weep holes along the edge to allow the water from rain to flow away from the unit.
- **Easy Compressor and Control Access** – Designed to make servicing easier for the contractor, access panels are provided to all controls and the compressor from the side of the unit.



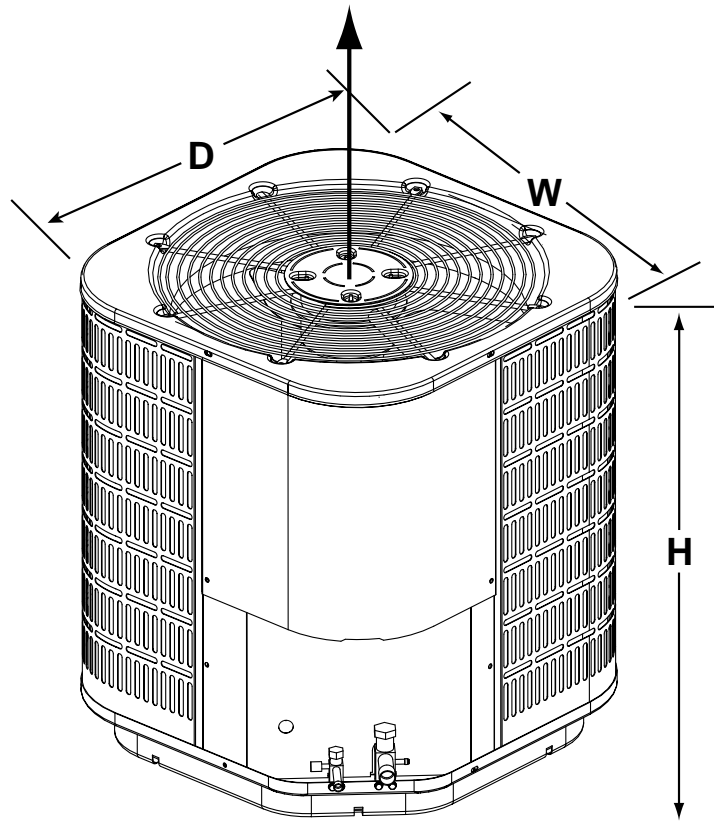
# MODEL IDENTIFICATION CODES



## DIMENSIONS AIR CONDITIONER OUTDOOR SECTION

DS4BE	018K	024K	030K	036K	042K	048K	060K
H	30 1/2	30 1/2	34 1/2	38 1/2	42 1/2	42 1/2	42 1/2
W	30 1/2	30 1/2	30 1/2	30 1/2	30 1/2	30 1/2	30 1/2
D	30 1/2	30 1/2	30 1/2	30 1/2	30 1/2	30 1/2	30 1/2

Air Discharge  
Allow Adequate Clearance for Airflow



# PHYSICAL AND ELECTRICAL SPECIFICATIONS / OUTDOOR UNITS

## 14 SEER — High Efficiency — Single Phase

Model Number DS4BE		018K	024K	030K	036K	042K	048K	060K	
Electrical Data	Volts-Cycles-Phase (1)	208/230-60-1	208/230-60-1	208/230-60-1	208/230-60-1	208/230-60-1	208/230-60-1	208/230-60-1	
	Total Amps	9.9	14.4	15	15.1	19.3	21.2	27.6	
	Delay Fuse Max. (2)	20	30	30	30	40	45	60	
	Min. Circuit Ampacity	12.1	17.7	18.5	18.6	23.8	26.2	34.2	
Condenser Data	Coil	Area	17.5	17.5	20.3	22.8	25.4	25.4	25.4
		Rows-FPI	1 - 22	1 - 22	1 - 22	1 - 22	1 - 22	2 - 16	2 - 16
		Tube Dia	3/8" O.D.	3/8" O.D.	3/8" O.D.	3/8" O.D.	3/8" O.D.	3/8" O.D.	3/8" O.D.
	Fan Motor	Type	PSC	PSC	PSC	PSC	PSC	PSC	PSC
		Amps	0.9	0.9	0.9	1	1.4	1.4	1.4
		HP	0.13	0.13	0.13	0.25	0.25	0.25	0.25
	Fan Blade	Dia-# Blades	24" - 2	24" - 2	24" - 2	24" - 2	24" - 2	24" - 2	24" - 2
		SCFM	3000	3000	3200	3300	3600	3800	3800
	Compressor Data	RLA	9	13.4	14.1	14.1	17.9	19.5	26.2
		LRA	48	58.3	73	77	112	109	134
Refrigerant suction line O.D.(all length of liquid line are 3/8" O.D.)	0-24 ft.	3/4"	3/4"	3/4"	3/4"	7/8"	7/8"	7/8"	
	25-39 ft.	3/4"	3/4"	3/4"	7/8" (3)	7/8"	7/8"	1-1/8" (4)	
	40-75 ft.	3/4"	3/4"	3/4"	7/8" (3)	7/8"	7/8"	1-1/8" (4)	
Refrigerant charge (R-410A) in ounces for outdoor unit, indoor unit and 15' lineset.		109	112	118	136	157	234	234	
Weight	Net	162	166	171	176	181	220	223	
	Approximate (lbs.) Ship	171	175	180	185	190	232	235	

(1) Operating Voltage Range: 187v min. — 253v max.

(2) HACR Type Circuit Breakers may be used.

(3) Requires 7/8" to 3/4" reducer from line to unit.

(4) Requires 7/8" to 1-1/8" reducer from line to unit.

COPPER WIRE SIZE — AWG (1% Voltage Drop)				
Supply Wire Length-Feet				Supply Circuit Ampacity
200	150	100	50	
6	8	10	14	15
4	6	8	12	20
4	6	8	10	25
4	4	6	10	30
3	4	6	8	35
3	4	6	8	40
2	3	4	6	45
2	3	4	6	50

Wire Size based on N.E.C. for 60° type copper conductors.

## ACCESSORIES - Condensing Unit

### Start Assist Kit - 912933

Provides additional starting torque for the compressor motor when operating with low line voltage or high operating temperatures.

## SYSTEM COOLING CAPACITIES

### 14 SEER — High Efficiency — Single Phase

Outdoor Unit Model Number DS4BE	Indoor Unit + TDR	BTUH	SEER	EER	SCFM
018K	C6B(A,H)-X24(C,U)-(A,B)	19,000	14	13.2	550
024K	C6B(A,H)-X24(C,U)-(A,B)	24,000	14	12.4	759
030K	C6B(A,H)-X30(C,U)-(A,B)	30,000	14	12.7	950
036K	C6B(A,H)-X36(C,U)-(B,C)	34,400	14	12.2	1100
042K	C6B(A,H)-X42(C,U)-(B,C)	42,000	14	12.4	1250
048K	C6B(A,H)-X48(C,U)-(C,D)	46,500	14	12.5	1500
060K	C6B(A,H)-X60(C,U)-(C,D)	59,000	14	12.2	1650

# SYSTEM COOLING CAPACITIES

## 14 SEER — High Efficiency — Single Phase

Outdoor Unit Model Number DS4BE	Indoor Unit + TDR	BTUH	SEER	EER	SCFM
018K	C5B(A,H)-X25(U,C)-(A,B)	18000	14	12.5	550
024K	C5B(A,H)-X25(U,C)-(A,B)	24000	14	12.5	750
030K	C5B(A,H)-X30(U,C)-(A,B)	29400	14	12.5	885
036K	C5B(A,H)-X37(U,C)-B	35200	14.5	12.5	1085
042K	C5B(A,H)-X42(U,C)-B	41500	14.5	12.5	1250
048K	C5B(A,H)-X49(U,C)-C	47000	14	12.2	1508
060K	C5B(A,H)-X60(U,C)-C	59000	14	12.2	1700

Outdoor Unit Model Number DS4BE	Indoor Unit	BTUH	SEER	EER	SCFM
018K	GB5BM-X25K-(A,B)	18000	14	12.5	550
024K	GB5BM-X25K-(A,B)	24000	14	12.5	750
030K	GB5BM-X30K-(A,B)	29400	14	12.5	885
036K	GB5BM-X37K-B	35200	14.5	12.5	1085
042K	GB5BM-X42K-B	41500	14.5	12.5	1250
048K	GB5BM-X49K-C	47000	14	12.2	1500
060K	GB5BM-X60K-C	59000	14	12.2	1700

<sup>1</sup> Orifice supplied with outdoor unit.

See current ARI Directory for certified combinations and ratings. All ratings are with time delay relay.

## 15 SEER — High Efficiency — Single Phase

Outdoor Unit Model Number DS4BE	Indoor Unit +TDR	BTUH	SEER	EER	SCFM
018K	C5B(A,H)-X25(C,U)-B+VSB-B	19000	15	13.5	550
024K	C5B(A,H)-X25(C,U)-B+VSB-B	24600	15	13.5	750
030K	C5B(A,H)-X30(C,U)-B+VSB-B	30000	15	13.5	885
036K	C5B(A,H)-X37(C,U)-B+VSB-B	35800	15.5	13.5	1085
042K	C5B(A,H)-X42(C,U)-C+VSB-B	42000	15	13	1250
048K	C5B(A,H)-X49(C,U)-C+VSB-C	47500	15	13	1500
060K	C5B(A,H)-X60(C,U)-C+VSB-C	60000	15	12.8	1600

Outdoor Unit Model Number DS4BE	Indoor Unit	BTUH	SEER	EER	SCFM
018K	B5VM-X25K-B	19000	15	13.5	550
024K	B5VM-X25K-B	24600	15	13.5	750
030K	B5VM-X30K-B	30000	15	13.5	885
036K	B5VM-X37K-B	35800	15.5	13.5	1085
042K	B5VM-X42K-B	42000	15	13	1250
048K	B5VM-X49K-C	47500	15	13	1500
060K	B5VM-X60K-C	60000	15	12.8	1600

<sup>1</sup> Orifice supplied with outdoor unit.

See current ARI Directory for certified combinations and ratings. All ratings are with time delay relay.



www.nordyne.com

472C-0808 (Replaces 472C-0607)

O'Fallon, MO

**NORDYNE**

Before purchasing this appliance, read important energy cost and efficiency information available from your retailer. Specifications and illustrations subject to change without notice and without incurring obligations. Printed in U.S.A. (08/08)