

MAYTAG

TECHNICAL SPECIFICATIONS

Model PDF2SF Series

iHybrid™

SmartStart®



M1200 Product Line

**15 SEER — 2 - 5 Ton Package Units
4-Stage Heat/2-Stage Cool with Variable Speed Blower**

- **M1200 - 12 YEAR ALL PARTS LIMITED WARRANTY**
- **M1200 WITH UPGRADED WARRANTY PACKAGE - 12 YEAR ALL PARTS & LABOR LIMITED WARRANTY**
- **Both the standard and upgraded limited warranty packages offer a 12 Year Dependability Promise to replace the entire unit, if the unit's major component (heat exchanger or compressor) fails within the first 12 years of operation, to the original owner.**
- **Product registration (by consumer or dealer) required for 12-year Warranty and Dependability Promise within a limited period of time after the installation. See current warranty document for details. This can be viewed at www.maytagvac.com or ask your sales representative.**
- **Dealer is responsible for registration of labor portion of warranty.**
- **Also when registered, this product is upgraded to a limited lifetime heat exchanger warranty.**

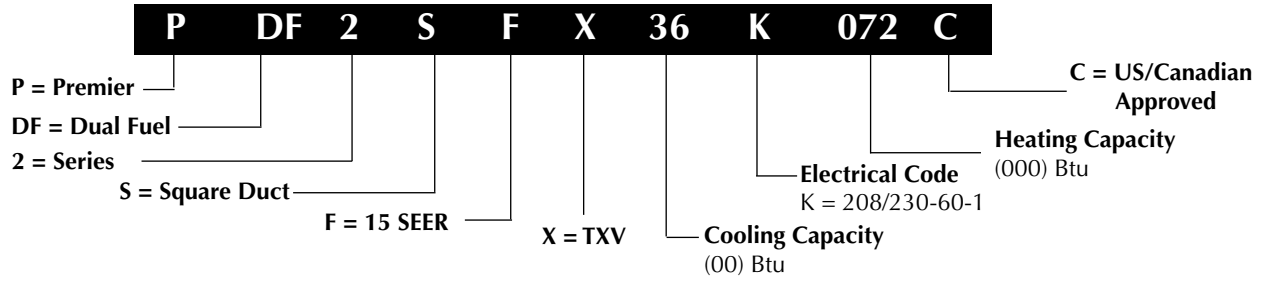


These single packaged gas/electrics and dual fuel high efficiency heat pump units can be installed on the roof or on a slab. The convertible unit design makes installations simple in all applications. Units are ETL and ETLc listed.

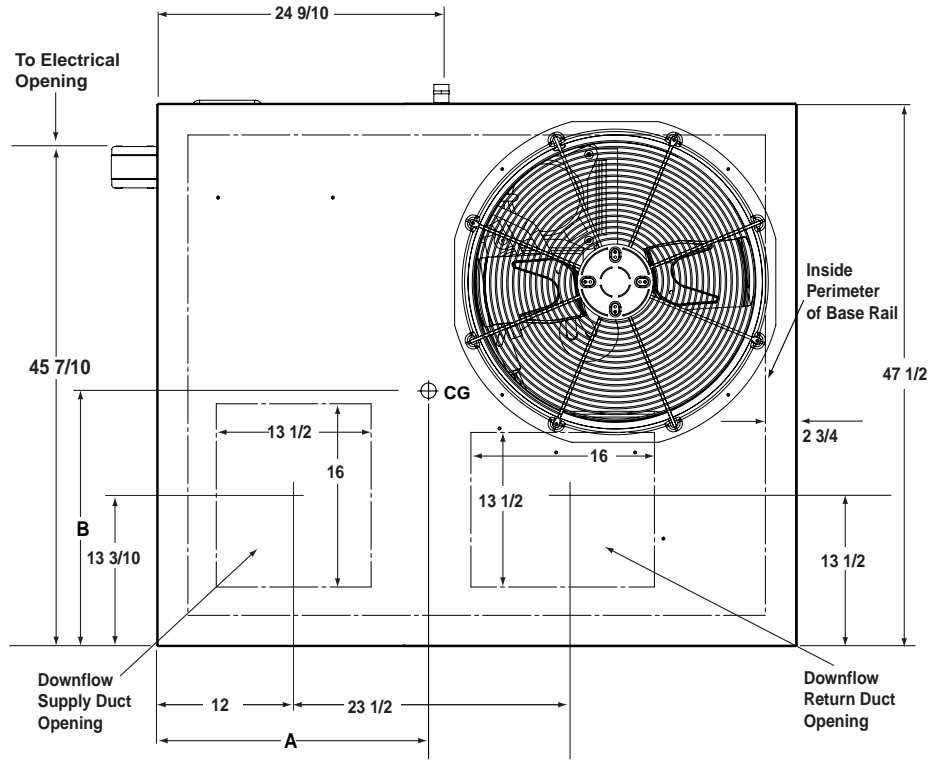
Features and Benefits

- **Copeland Ultra-Tech Scroll Compressor:** State of the art 2 stage compressor is standard equipment.
- **Comfort Alert® II:** A breakthrough innovation to help contractors troubleshoot compressor failures. Field results prove that Comfort Alert diagnostics is improving accuracy and speed of service, which means reduced callbacks and more satisfied customers.
- **Quiet Operation and Low Vibration:** Compressor sound blanket is standard. Swept-wing fan blade combined with custom Venturi condenser fan.
- **R-410A Refrigerant:** Earth friendly non-ozone depleting refrigerant.
- **Wire guard coated with Earth Friendly Epoxy and plastic mesh hail guard:** A guard that will never rust and protects the units coil from being damaged.
- **Copper Tube / Aluminum Fin Coils:** Both indoor and outdoor coils are designed to optimize heat transfer, minimize size and cost, and increase durability and reliability.
- **Designed using Galvanized Steel:** With a polyester urethane coat finish. The 950 hour salt spray finish is 1.5 mil thick and resists corrosion 50% better than comparable units.
- **One Piece Top, Great Fit and Finish, Total Seal:** Well-designed, quality construction. Drip edge on top panels whisks away rainwater. Embossed bottom pan keeps blower component compartment dry.
- **Permanently Lubricated Condenser Motor:** A heavy duty PSC motor for long lasting reliability and quiet operation. Requires no maintenance and is completely protected from rain and snow.
- **Thermostatic Expansion Valves:** Factory installed externally equalized thermostatic expansion valves provides precise refrigerant control under varying load conditions.
- **Hi/Low Pressure Switches:** Ensure long compressor life.
- **Externally Accessible, High Flow Service Ports:** Quick access to refrigeration system.
- **Liquid Line Filter Driers:** Factory installed at a convenient location for service.
- **Suction Accumulator:** Protection from liquid flood back and future compressor failures.
- **Low voltage Transformer:** Includes 3 Amp fuse to protect low voltage circuit.
- **Corrosion-Resistant Drain Pan:** Quickly drains away evaporator condensate.
- **ECM Variable Speed Blower Motor:** Advanced technology allows the motor to automatically adjust to different static loads. The variable speed motor allows for extra quiet operation and improved air quality.
- **Demand Defrost Standard:** Provides additional energy savings in heating by defrosting only when necessary.
- **Three Minute Restart Time Delay:** When the unit shuts down, a three minute delay keeps the unit from restarting, eliminating the highest cause for compressor failure.
- **Heavy-Gauge, Full Perimeter Base Rails:** Facilitates forklift handling and curb mounting.
- **Convertible Air Delivery:** Horizontal or downflow to accommodate rooftop or horizontal applications.
- **Easy Compressor and Control Access:** Designed to make servicing easier for the contractor, access panels are provided to all controls and the compressor from the side of the unit.
- **Easy access:** To the evaporator coil for cleaning and general maintenance.
- **Removable Top Grille Assembly:** Allows ease of service to the fan motor.
- **Duct Flanges:** Reduce installation costs.
- **Proven, Industry Standard Components:** Easier service and availability.
- **SmartLite® or Smartstart® Control Board:** Provides extended life to igniters using hot surface ignition technology. Programmed to learn the heat-up characteristics of the igniter, then adapt the ignition time to the characteristics of the furnace so the igniter is energized appropriately.
- **Hot Surface Igniter:** Innovative application of an appliance type igniter with a 20 year history of reliability.
- **Accessories:** Roof curbs and more.

IDENTIFICATION CODE



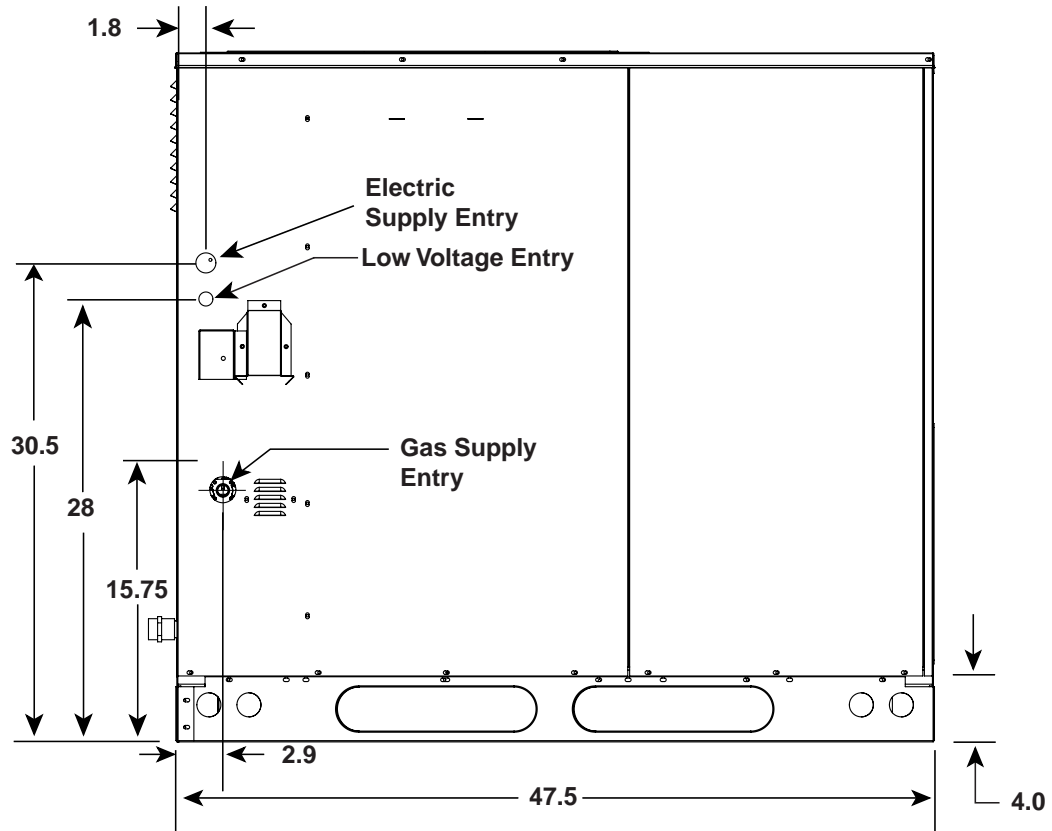
DIMENSIONS



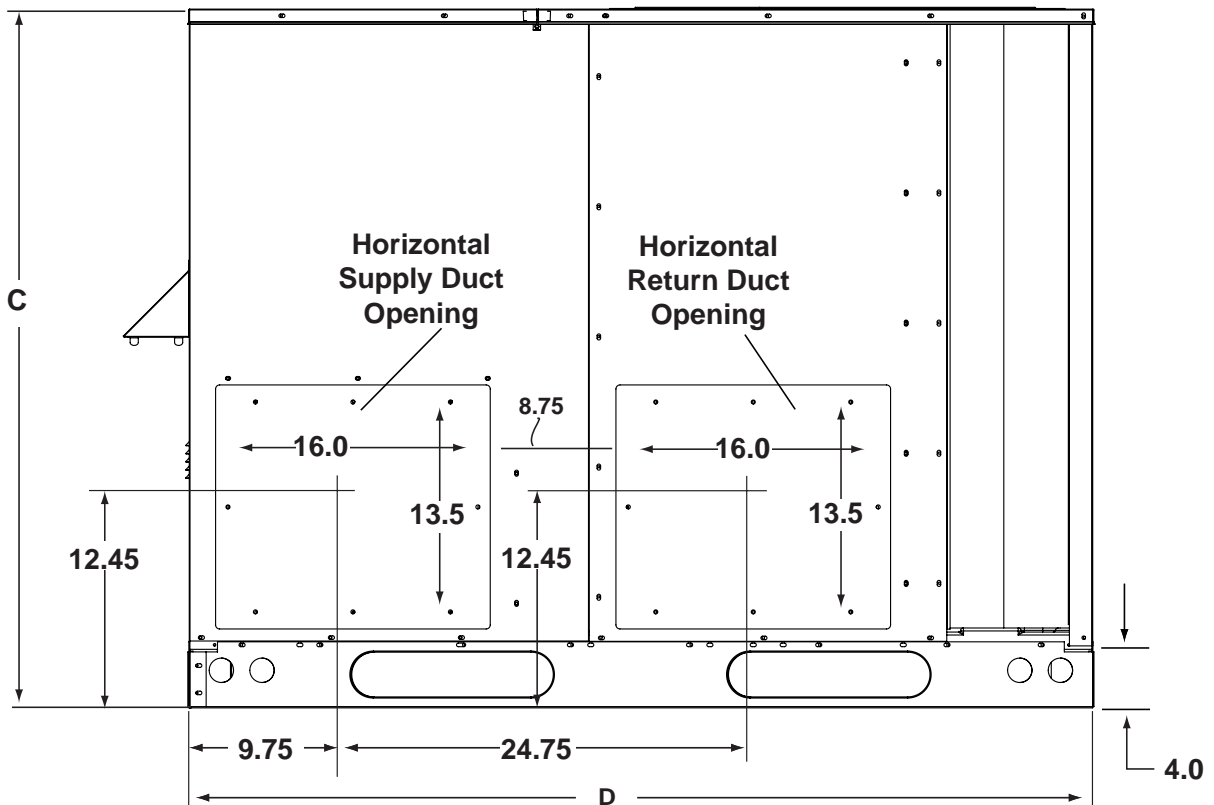
Top View

Model Number	Unit Weight	Shipping Weight	Center of Gravity		Height (in inches) C		D Length
			A	B	with base rails	without base rails	
X24K***C	480	490	26.0	27.0	39.0	35.3	55.8
X36K***C	590	600	26.0	27.0	43.0	39.3	55.8
X48K***C	590	600	27.0	26.5	47.0	43.3	55.8
X60K***C	655	670	30.0	26.5	47.0	43.3	63.6

DIMENSIONS continued



Side View



Back View

SPECIFICATIONS

SINGLE PHASE

MODEL	PDF2SFX24K072C	PDF2SFX36K100C	PDF2SFX48K120C	PDF2SFX60K120C
Performance (Gas)				
Heating Input High/Low Btuh	72,000 / 48,000	100,000/65,000	120,000 /78,000	120,000/73,000
Heating Output High/Low Btuh	57,600 / 38,400	80,000/52,000	96,000 / 62,400	96,000/62,400
AFUE	80	80	80	80
Performance (Electric)				
Efficiency -- SEER	15.00	15.0	15.00	15.00
Efficiency -- EER (Btuh/Watt)	12.0	12.0	12.0	12.0
Capacity - Heating	22,000	32,000	45,000	56,000
Efficiency - HSPF	8.0	8.0	8.0	8.0
Capacity - Cooling	24,000	35,000	46,000	55,500
Electrical Rating - 60 Hz				
Phase	1	1	1	1
Operating Voltage Range	187 - 253	187-253	187 - 253	187-253
Minimum Circuit Ampacity	20.8	34.7	43.3	44.4
Max. Overcurrent Protection	30	50	60	60
Compressor Data				
Volts	208 / 230	208/230	208 / 230	208/230
Rated Load Amps	11.4	19	24	26
Lock Rotor Amps	52	82	96	118
Indoor Blower				
Wheel Diameter	10 x 10	10 x 10	11 x 10	11 x 10
Motor Type	Variable Speed	Variable Speed	Variable Speed	Variable Speed
Motor HP	1/2	3/4	1	1
Motor Amps	4.3	6.8	9.1	9.1
Outdoor Fan				
Motor HP	1/8	1/3	1/3	1/4
Motor Amps	.9	2.8	2.8	1.46
Fan Diameter/CFM	24" / 3200	24" / 4000	24" / 4000	24"/4000
Refrigerant Charge (oz)	128	160	255	272

AIRFLOW DATA

Model Number PDF2SF	Heating Input (Btuh)	Heating Output (Btuh)	Heat Switch Setting	CFM	Heating Rise Range (°F)	Cooling Output (Btuh)	Blower Size	Motor HP
X24K072C	72,000	57,600	1,1	1062	35-65	24,000	10 X 10	1/2
	48,000	38,400	1,1	900				
X36K100C	100,000	80,000	0.1	1640	40-70	35,000	10 X 10	3/4
	65,000	52,000	0.1	1000				
X48K120C	120,000	96,000	1,1	2005	40-70	46,000	11 X 10	1
	78,000	62,400	1,1	1200				
X60K120C	120,000	96,000	1.1	2005	40-70	55,500	11 X 10	1
	78,000	62,400	1.1	1200				

NOTE: CFM and Rise are independent of ESP in a variable speed blower.

COOLING AIRFLOW SETTINGS

SWITCH NUMBER				RECOMMENDED A/C AIRFLOW RATE (CFM)	SWITCH NUMBER				RECOMMENDED A/C AIRFLOW RATE (CFM)	SWITCH NUMBER				RECOMMENDED A/C AIRFLOW RATE (CFM)
1	2	3	4	2 TON	1	2	3	4	3 TON	1	2	3	4	4-5 TON
0	0	0	1	630	0	0	0	1	720	0	0	0	1	1440
0	0	0	0	700	0	0	0	0	800	1	0	0	1	1575
0	0	1	0	770	1	0	0	1	855	0	0	0	0	1600
1	0	0	1	783	0	0	1	0	880	0	1	0	1	1620
1	0	0	0	870	1	0	0	0	950	1	0	0	0	1750
0	1	0	1	918	0	1	0	1	990	1	1	0	1	1755
1	0	1	0	957	1	0	1	0	1045	0	0	1	0	1760
0	1	0	0	1020	0	1	0	0	1100	0	1	0	0	1800
1	1	0	1	1053	1	1	0	1	1170	1	0	1	0	1925
0	1	1	0	1122	0	1	1	0	1210	1	1	0	0	1950
1	1	0	0	1170	1	1	0	0	1300	0	1	1	0	1980
1	1	1	0	1287	1	1	1	0	1430	1	1	1	0	2145

NOTE: 0=OFF; 1=ON

*Factory settings are in bold.

HEATING AIRFLOW SETTINGS

Nominal Airflow Rates (CFM) and Temperature Rises (°F)					
Switches		PDF2SF-X24			
		Low Fire Input		High Fire Input	
5	6	48,000		72,000	
0	0	550	63	732	73
1	0	650	53	865	62
0	1	750	46	998	53
1	1	900	39	1062	50

Nominal Airflow Rates (CFM) and Temperature Rises (°F)					
Switches		PDF2SF-X36			
		Low Fire Input		High Fire Input	
5	6	65,000		100,000	
0	0	700	69	1170	63
1	0	800	60	1240	60
0	1	1000	48	1640	45
1	1	1200	40	2005	37

Nominal Airflow Rates (CFM) and Temperature Rises (°F)					
Switches		PDF2SF-X48 & X60			
		Low Fire Input		High Fire Input	
5	6	78,000		120,000	
0	0	750	77	1255	71
1	0	900	64	1395	64
0	1	1050	55	1720	52
1	1	1200	48	2005	44

NOTE: 0 = OFF 1 = ON

Switch is not used — Can be 0 or 1

1. Recommended temperature rises are highlighted in **bold**. Use of any other setting may result in nuisance trips.
2. Temperature rises in the table are approximate. Actual temperature rises may vary.

ACCESSORIES

Description	Part Number
Roof Curb (8")	547830
Roof Curb (14")	547831
Roof Curb (18")	547850
Roof Curb (24")	547851
Filter Rack, All Downflow Applications	547885
Filter Kit for Horizontal Applications X24-X36	547888
Filter Kit for Horizontal Applications X48 - X60	547889
Universal Hard Start Kit	912933
Low Ambient Kit	918837
U.S. LP Gas Conversion Kit (0 ft to 10,000 ft above sea level)	904404
Canadian LP Gas Conversion Kit (0 to 4,500 ft above sea level)	904405
Cap, Duct Adapter, 12" Round	913811A
Cap, Duct Adapter, 14" Round	913812A
Thermostat with back-up gas heat capability (outdoor sensor required)	919775
Thermostat - Outdoor Sensor	919008
Skirt Trim Kit 24, 36, 48	919729B
Skirt Trim Kit 60	920936B
Extreme High Wind Kit - Roof Curb Mount	903696
Extreme High Wind Kit - Ground Mount	903695



We Encourage
Professionalism

Through Technician
Certification by NATE



MAYTAG

Before purchasing this appliance, read important energy cost and efficiency information available from your retailer. Specifications and illustrations subject to change without notice and without incurring obligations.

Manufactured under license by NORDYNE, O'Fallon, MO. ©Registered Trademark/TM Trademark of Maytag Corporation or its related companies. ©2010. All rights reserved.

464D-0610 (Replaces 464D-1109)

Printed in U.S.A. (06/10)