

TECHNICAL SPECIFICATIONS

GSH2(B,Q)E Series

**Up to 14 SEER, 8.2 HSPF
Manufactured Housing System
High Efficiency Heat Pump**

2 – 4 Ton Capacity

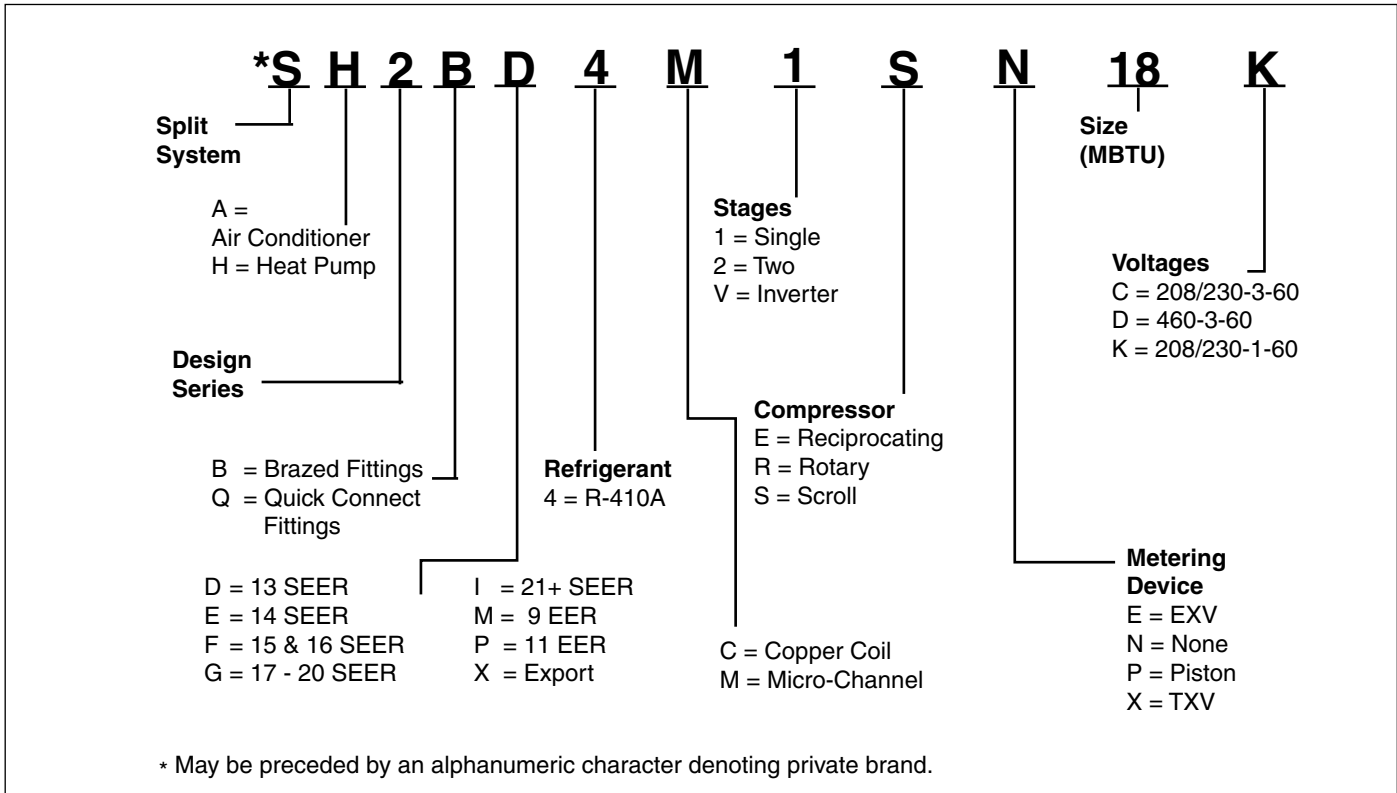
The GSH2(B,Q)E Series heat pump, when combined with our engineered coils or air handlers, offers a full line of quality, split system heating and cooling equipment. Units are ideally sized for slab or cantilever bracket installation.



FEATURES and BENEFITS

- **Patented Hot Gas Bypass Defrost** – Ensures that outdoor coil defrosts every time and only when necessary.
- **Full Service Valves** – Brass valves that are easily accessible and simplify servicing of the refrigeration system.
- **Galvanized Steel Design** – Polyester urethane coat finish passes 950 hours of salt spray per ASTM Std. 8117.
- **Composite Base Pan** – Absorbs sound and is corrosion resistant. Composite is also stronger and lighter than steel.
- **Designed for Manufacturing Housing** – The outdoor thermostat required by HUD is factory installed and the system has enough refrigerant for 20 feet of lineset.
- **Removable Top Grille Assembly** – Allows ease of service from the top without disconnecting fan motor leads.
- **Suction Accumulator and Crankcase Heater** – Protection from liquid flood back and future compressor failures.
- **Hot Gas Muffler** – Reduces compressor noise and vibration.
- **Low Pressure Switch** – Loss of charge protection ensures long compressor life. Auto-reset feature prevents nuisance service visits.
- **High Pressure Switch** – Protects against abnormally high system pressures. Auto-reset feature prevents nuisance service visits.
- **Liquid Line Filter Drier** – Included with unit and field installed.
- **One-Piece Top/Orifice** – Designed for maximum air-flow and quiet operation.
- **Easy Compressor and Control Access** – Designed to make servicing easier for the contractor, access panels are provided to all controls and the compressor from the side of the unit.
- **All-Aluminum Coils** – Aluminum coils in all models which provides high corrosion resistance.
- **Powder Coated Wire Guard and Mesh Hail Guard** – Will never rust and protects the coil from being damaged.
- **Common Suction Service Port** – This port allows the contractor to read the suction pressure in all modes of operation without removing any panels, saving time and increasing serviceability.
- **Five Minute Restart Time Delay** – When the unit shuts down, a five minute delay keeps the unit from restarting, eliminating the highest cause for compressor failure.

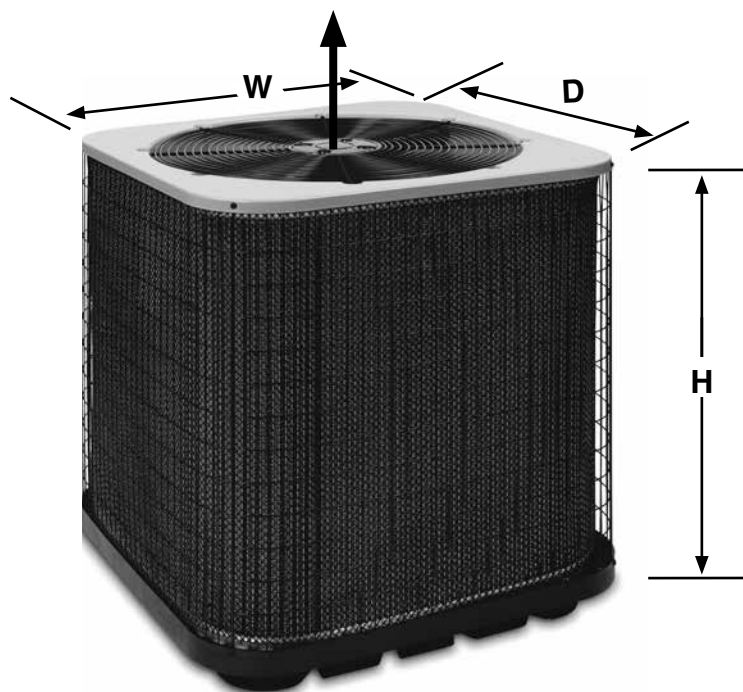
MODEL IDENTIFICATION CODES



DIMENSIONS HEAT PUMP OUTDOOR SECTION

GSH2(B,Q)E	24K	30K	36K	42K	48K
H	31 1/2"	39 1/2"	43 1/2"	43 1/2"	43 1/2"
W	30 3/4"	30 3/4"	30 3/4"	30 3/4"	30 3/4"
D	30 3/4"	30 3/4"	30 3/4"	30 3/4"	30 3/4"

Air Discharge
Allow Adequate Clearance for Airflow



PHYSICAL AND ELECTRICAL SPECIFICATIONS / OUTDOOR UNITS

14 SEER — High Efficiency — Single Phase

Model Number GSH2(B,Q)E		24K	30K	36K	42K	48K	
Electrical Data	Volts-Cycles-Phase (1)	208/230-60-1					
	Delay Fuse Max. (2)	15	20	30	40	45	
	Min. Circuit Ampacity	11.3	13.3	18.6	23.9	26.3	
	Fan Motor	HP	1/8	1/8	1/5	1/4	1/4
Refrigerant suction line O.D. NOTE: Liquid line is 3/8" O.D. for entire length."	0-24 ft.	3/4"	3/4"	7/8"	7/8"	7/8"	
	25-39 ft.	3/4"	3/4"	7/8"	7/8"	7/8"	
	40-75 ft.	3/4"	3/4"	7/8"	7/8"	7/8"	
Approximate Weight (lbs.)	Net	148	151	161	187	199	
	Ship	170	175	186	212	224	
Sound Rating db		78	78	76	79	79	

(1) Operating Voltage Range: 187v min. - 253v max.

(2) HACR Type Circuit Breakers may be used.

(3) Requires 7/8" to 1-1/8" reducer from line to unit.

Notes:

Additional charge for line sets above 20 feet.

Values based on suction line as follows with 3/8" liquid line.

a) 3/4" = 0.6 oz. per additional foot.

b) 7/8" = 0.7 oz. per additional foot.

c) 1 1/8" = 0.8 oz. per additional foot.

ACCESSORIES - Condensing Unit

Start Assist Kit - 912933

Provides additional starting torque for the compressor motor when operating with low line voltage or high operating temperatures.

SYSTEM HEATING AND COOLING CAPACITIES

14+ SEER — High Efficiency — Single Phase

M SERIES GAS FURNACE								
Outdoor Unit	Indoor Unit	Coil Height	Cooling Capacity @ 95 °F	SEER	EER @ 95 °F	"Heating Capacity BTUH @ 47° F"	HSPF	CFM
GSH2BE4M1RP24K	C8DAMX24U-B	18"	22800	14	11.5	19000	8.2	805
GSH2BE4M1RP30K	C8DAMX30U-B	18"	28000	14	11.5	28000	8.2	1010
GSH2BE4M1SP36K	C8DAMX36U-B	18"	34000	14	11.5	34000	8.5	1200
GSH2BE4M1SP42K	C8DAMX42U-B	24"	40500	14	11.5	42500	8.5	1355
GSH2QE4M1RP24K	C8QAMX24U-B	18"	22800	14	11.5	19000	8.2	805
GSH2QE4M1RP30K	C8QAMX30U-B	18"	28000	14	11.5	28000	8.2	1010
GSH2QE4M1SP36K	C8QAMX36U-B	18"	34000	14	11.5	34000	8.5	1200
GSH1QE4M1SP42K	C8QAMX42U-B	24"	40500	14	11.5	42500	8.5	1355
E SERIES ELECTRIC FURNACE								
Outdoor Unit	Indoor Unit	Coil Height	Cooling Capacity @ 95 °F	SEER	EER @ 95 °F	"Heating Capacity BTUH @ 47° F"	HSPF	CFM
GSH2BE4M1SP24K	C8DAMX24U-B	18"	22800	14	11.5	19000	8.2	805
GSH2BE4M1SP30K	C8DAMX30U-B	18"	28000	14	11.5	28000	8.2	1010
GSH2BE4M1SP36K	C8DAMX36U-B	18"	34000	14	11.5	34000	8.5	1200
GSH2BE4M1SP42K	C8DAMX42U-B	24"	40500	14	11.5	42500	8.5	1355
GSH2BE4M1SP48K	C8DAMX49U-B	28"	46000	14	11.5	47000	8.5	1460
GSH2QE4M1SP24K	C8QAMX24U-B	18"	22800	14	11.5	19000	8.2	805
GSH2QE4M1SP30K	C8QAMX30U-B	18"	28000	14	11.5	28000	8.2	1010
GSH2QE4M1SP36K	C8QAMX36U-B	18"	34000	14	11.5	34000	8.5	1200
GSH2QE4M1SP42K	C8QAMX42U-B	24"	40500	14	11.5	42500	8.5	1355
GSH2QE4M1SP48K	C8QAMX49U-B	28"	46000	14	11.5	47000	8.5	1460

All ratings are with time delay relay.

See current AHRI Directory for certified combinations and ratings.

www.ahridirectory.org



GENERAL TERMS OF LIMITED WARRANTY

Nortek Global HVAC, LLC will furnish a replacement for any part of this product which fails in normal use and service within the terms and conditions of the warranty.

For complete details of the Limited Warranty, including applicable terms and conditions, see your local installer or contact the Nortek Global HVAC, LLC warranty department for a copy.

Before purchasing this appliance, read important energy cost and efficiency information available from your retailer. Specifications and illustrations subject to change without notice and without incurring obligations. Printed in U.S.A (03/2020)