

TECHNICAL SPECIFICATIONS

BSA2BE Series

Air Conditioner 14 SEER Residential System 1.5 – 5 Ton Capacity

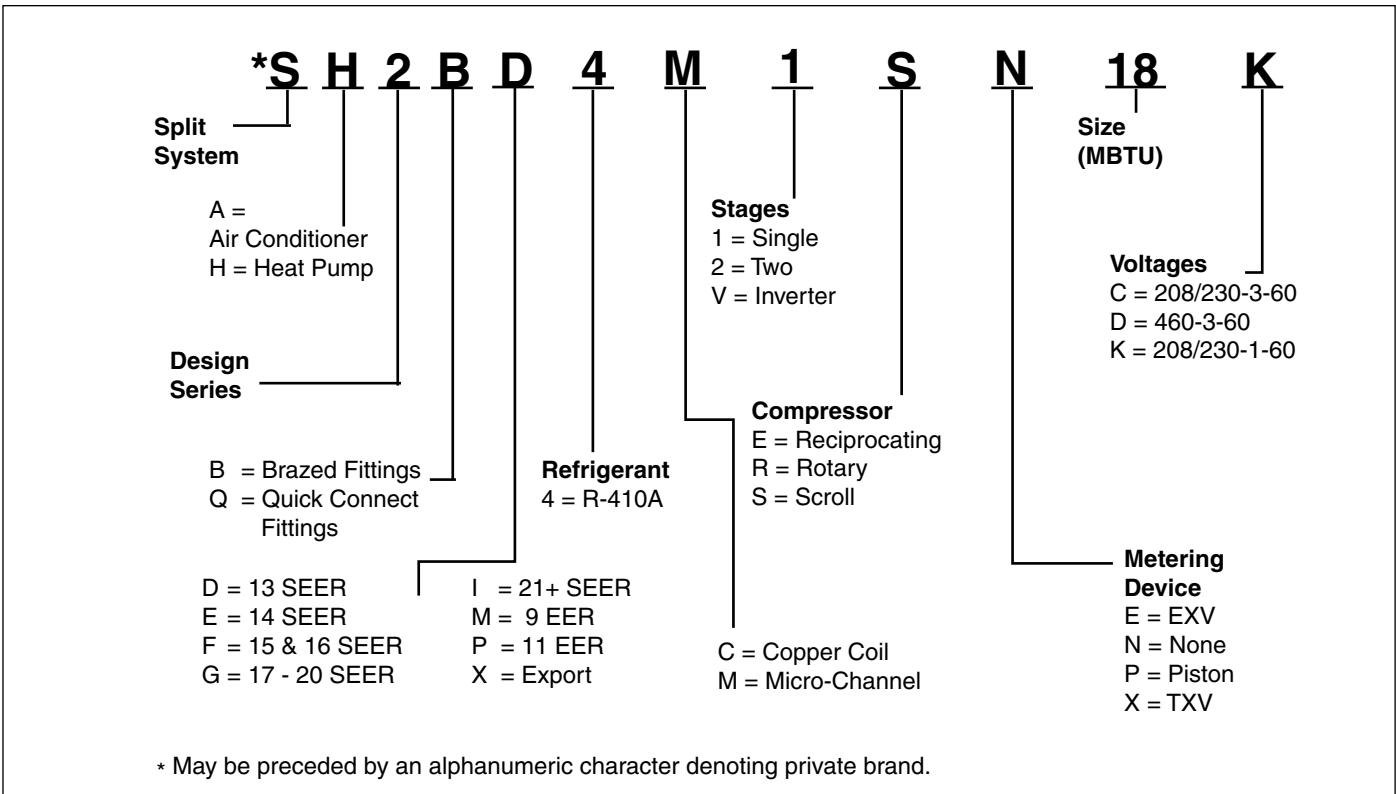
The BSA2BE Series of air conditioners offers exceptional performance. The unit, when combined with our engineered coils or air handlers, offers a full line of quality, split system cooling equipment.



FEATURES and BENEFITS

- **Quality Compressor:** State-of-the-art compressor is standard equipment.
- **Full Service Valves:** These brass valves are easily accessible and simplify servicing of the refrigeration system.
- **Designed Using Galvanized Steel:** With a polyester urethane coat finish, it passes 950 hours of salt spray per ASTM Std. B117.
- **Composite Base Pan:** Absorbs sound and is corrosion resistant. Composite is also stronger and lighter than steel.
- **Permanently Lubricated Motor:** A heavy duty PSC motor for long lasting reliability and quiet operation. Requires no maintenance and is completely protected from rain and snow.
- **Removable Top Grille Assembly:** Allows ease of service from the top without disconnecting fan motor leads.
- **High Pressure Switch:** Protects against abnormally high system pressures. Auto-reset feature prevents nuisance service visits.
- **Liquid Line Filter Drier:** Included with unit, field installed.
- **One Piece Top/Orifice:** Designed for maximum airflow and quiet operation.
- **Easy Compressor and Control Access:** Designed to make servicing easier for the contractor, access panels are provided to all controls and the compressor from the side of the unit.
- **All-Aluminum coils:** Aluminum coils in all models which provides high corrosion resistance.
- **Mesh Hail Guard:** Will never rust and protects the coil.

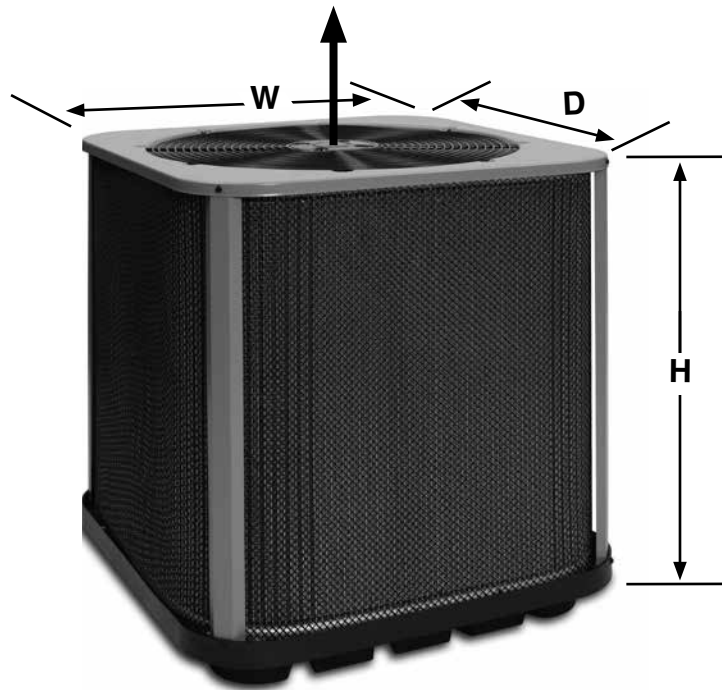
MODEL IDENTIFICATION CODES



DIMENSIONS
AIR CONDITIONER OUTDOOR SECTION

BSA2BE	18K	24K	30K	36K	42K	48K	60K
H	31"	31"	27"	35"	39"	39"	43"
W	22 3/4"	22 3/4"	30 3/4"	30 3/4"	30 3/4"	30 3/4"	30 3/4"
D	22 3/4"	22 3/4"	30 3/4"	30 3/4"	30 3/4"	30 3/4"	30 3/4"

Air Discharge
Allow Adequate Clearance for Airflow



PHYSICAL AND ELECTRICAL SPECIFICATIONS / OUTDOOR UNITS

14 SEER — High Efficiency — Single Phase

Model Number BSA2BE4M1		RN18K	RN24K	RN30K	RN36K	SN42K	SN48K	SN60K
Electrical Data	Volts-Cycles-Phase (1)	208/230-60-1						
	Delay Fuse Max. (2)	15	15	20	25	40	45	60
	Min. Circuit Ampacity	9.1	11.1	13.3	16.5	23.8	26.2	35.6
	Fan Motor	HP	1/10	1/10	1/8	1/4	1/4	1/4
Refrigerant suction line O.D. NOTE: Liquid line is 3/8" O.D. for entire length.	0-24 ft.	3/4"	3/4"	3/4"	3/4"	7/8"	7/8"	7/8"
	25-39 ft.	3/4"	3/4"	3/4"	7/8" (3)	7/8"	7/8"	1-1/8" (4)
	40-75 ft.	3/4"	3/4"	3/4"	7/8" (3)	7/8"	7/8"	1-1/8" (4)
Approximate Weight (lbs.)	Net	97	113	123	136	169	171	205
	Ship	112	128	144	159	193	195	230
Sound Rating db		72	74	75	77	79	79	79

(1) Operating Voltage Range: 187v min. - 253v max.

(2) HACR Type Circuit Breakers may be used.

(3) Requires 7/8" to 3/4" reducer from line to unit.

(4) Requires 7/8" to 1-1/8" reducer from line to unit.

ACCESSORIES - Condensing Unit

Start Assist Kit - 912933

Provides additional starting torque for the compressor motor when operating with low line voltage or high operating temperatures.

Extreme Wind Condition Mounting Kit - 920900

SYSTEM COOLING CAPACITIES

14 SEER — High Efficiency — Single Phase

Outdoor Unit	Indoor Unit	Capacity	SEER	EER	CFM
BSA2BE4M1RN18K	C7B(A,H)MX24(C,U)-A	18000	14	12.2	655
BSA2BE4M1RN18K	C7B(A,H)MX24(C,U)-B	18000	14	12.2	655
BSA2BE4M1RN24K	C7B(A,H)MX24(C,U)-A	23400	14	12.2	780
BSA2BE4M1RN24K	C7B(A,H)MX24(C,U)-B	23400	14	12.2	780
BSA2BE4M1RN30K	C7B(A,H)MX30(C,U)-A	29800	14	12.2	1000
BSA2BE4M1RN30K	C7B(A,H)MX30(C,U)-B	29800	14	12.2	1000
BSA2BE4M1RN36K	C7B(A,H)MX36(C,U)-B	34600	14	12.2	1205
BSA2BE4M1RN36K	C7B(A,H)MX36(C,U)-C	34600	14	12.2	1205
BSA2BE4M1SN42K	C7B(A,H)MX42(C,U)-B	40500	14	12.2	1305
BSA2BE4M1SN42K	C7B(A,H)MX42(C,U)-C	40500	14	12.2	1305
BSA2BE4M1SN48K	C7B(A,H)MX48(C,U)-C	45500	14	11.7	1525
BSA2BE4M1SN48K	C7B(A,H)MX48(C,U)-D	45500	14	11.7	1525
BSA2BE4M1SN60K	C7B(A,H)MX60(C,U)-C	57000	14	11.7	1540
BSA2BE4M1SN60K	C7B(A,H)MX60(C,U)-D	57000	14	11.7	1540

See current AHRI Directory for certified combinations and ratings. All ratings are with time delay relay.

www.ahridirectory.org

Outdoor Unit	Indoor Unit	Capacity	SEER	EER	CFM
BSA2BE4M1RN18K	B6BMM024K-A	18000	14	12.2	670
BSA2BE4M1RN18K	B6BMM024K-B	18000	14	12.2	660
BSA2BE4M1RN24K	B6BMM024K-A	22800	14	12.2	820
BSA2BE4M1RN24K	B6BMM024K-B	22800	14	12.2	825
BSA2BE4M1RN30K	B6BMM030K-A	28400	14	12.2	915
BSA2BE4M1RN30K	B6BMM030K-B	28600	14	12.2	895
BSA2BE4M1RN36K	B6BMM042K-B	34600	14	12.2	1245
BSA2BE4M1SN42K	B6BMM042K-B	40000	14	12.2	1260
BSA2BE4M1SN48K	B6BMM060K-C	46000	15	12	1440
BSA2BE4M1SN60K	B6BMM060K-C	57000	14	11.7	1635

See current AHRI Directory for certified combinations and ratings. All ratings are with time delay relay.

www.ahridirectory.org

COOLING EXPANDED RATINGS

BSA2BE4M1RN18K C7B(A,H)MX24(C,U)-B

O.D.T			65°F			75°F			85°F			95°F			105°F			115°F		
CFM	E.D.B.	E.W.B.	T.C.	S.C.	K.W.	T.C.	S.C.	K.W.	T.C.	S.C.	K.W.	T.C.	S.C.	K.W.	T.C.	S.C.	K.W.	T.C.	S.C.	K.W.
525	80	62	19.9	15.5	0.76	18.6	15.1	1.07	17.5	15.0	1.31	16.5	14.7	1.49	15.7	15.4	1.64	14.9	14.6	1.79
	80	67	21.7	12.6	0.76	20.2	12.3	1.07	19.0	12.3	1.30	18.0	12.0	1.49	17.1	11.8	1.64	16.1	11.1	1.80
	80	72	23.9	9.7	0.76	22.3	9.5	1.06	21.1	9.6	1.29	20.0	9.4	1.48	18.9	9.3	1.64	17.8	9.5	1.81
	75	62	19.7	12.8	0.76	18.3	12.4	1.07	17.3	12.5	1.31	16.3	12.2	1.49	15.4	11.3	1.64	14.6	12.1	1.79
600	80	62	20.4	16.7	0.79	19.1	16.7	1.10	17.9	16.2	1.33	17.0	16.0	1.51	16.3	15.7	1.67	15.5	15.4	1.82
	80	67	22.1	13.4	0.79	20.6	13.6	1.09	19.4	13.1	1.33	18.4	12.9	1.51	17.4	13.1	1.67	16.4	13.2	1.83
	80	72	24.4	10.3	0.78	22.8	10.6	1.08	21.5	10.2	1.31	20.4	10.1	1.50	19.3	10.1	1.67	18.1	10.2	1.84
	75	62	20.2	13.6	0.79	18.8	13.8	1.10	17.7	13.4	1.33	16.7	13.2	1.52	15.8	13.1	1.67	14.9	13.1	1.82
675	80	62	20.9	18.0	0.81	19.5	17.9	1.12	18.5	17.2	1.36	17.6	16.7	1.54	16.8	16.3	1.70	16.0	15.9	1.85
	80	67	22.5	14.4	0.81	21.0	14.4	1.12	19.8	14.1	1.35	18.7	14.1	1.54	17.7	14.0	1.70	16.7	14.0	1.86
	80	72	24.8	11.0	0.81	23.2	11.1	1.11	21.8	10.7	1.34	20.6	10.7	1.53	19.4	10.7	1.69	18.2	10.8	1.86
	75	62	20.6	14.8	0.81	19.2	14.7	1.12	18.0	14.2	1.36	17.0	14.1	1.54	16.0	13.9	1.70	15.1	14.0	1.85

BSA2BE4M1RN24K C7B(A,H)MX24(C,U)-B

O.D.T			65°F			75°F			85°F			95°F			105°F			115°F		
CFM	E.D.B.	E.W.B.	T.C.	S.C.	K.W.	T.C.	S.C.	K.W.	T.C.	S.C.	K.W.	T.C.	S.C.	K.W.	T.C.	S.C.	K.W.	T.C.	S.C.	K.W.
700	80	62	25.1	19.8	1.16	23.7	19.4	1.45	22.4	19.4	1.69	21.3	19.0	1.89	20.2	19.8	2.08	19.1	18.7	2.30
	80	67	27.2	16.0	1.16	25.6	15.7	1.46	24.3	15.8	1.69	23.1	15.4	1.90	21.8	15.2	2.10	20.6	14.3	2.31
	80	72	30.1	12.4	1.17	28.5	12.3	1.46	27.0	12.4	1.70	25.6	12.2	1.91	24.1	12.0	2.12	22.6	12.3	2.33
	75	62	24.9	16.2	1.16	23.3	15.8	1.45	22.1	15.8	1.69	20.9	15.5	1.89	19.9	14.5	2.08	18.7	15.6	2.28
800	80	62	25.8	21.3	1.20	24.3	21.5	1.49	23.0	20.9	1.73	21.9	20.6	1.93	21.0	20.3	2.13	19.9	19.7	2.34
	80	67	27.9	17.1	1.20	26.2	17.3	1.49	24.8	16.8	1.73	23.5	16.6	1.94	22.2	16.5	2.15	21.0	16.8	2.36
	80	72	30.7	13.1	1.21	29.0	13.6	1.49	27.4	13.1	1.73	25.6	12.9	1.95	24.2	13.0	2.16	22.8	13.0	2.37
	75	62	25.4	17.3	1.20	23.9	17.4	1.49	22.6	17.2	1.73	21.4	16.9	1.93	20.3	16.9	2.12	19.0	16.7	2.33
900	80	62	26.4	23.0	1.24	24.8	22.9	1.53	23.7	22.1	1.77	22.7	21.5	1.97	21.6	20.9	2.17	20.5	20.4	2.39
	80	67	28.3	18.3	1.24	26.7	18.3	1.53	25.2	17.8	1.77	23.9	18.0	1.98	22.6	17.8	2.19	21.3	17.9	2.40
	80	72	31.1	14.1	1.24	29.0	14.2	1.53	27.4	13.7	1.77	25.9	13.6	2.00	24.5	13.5	2.20	23.1	13.7	2.41
	75	62	25.9	18.9	1.23	24.4	18.8	1.53	23.0	18.2	1.77	21.8	18.0	1.97	20.6	17.9	2.16	19.3	17.8	2.38

BSA2BE4M1RN30K C7B(A,H)MX30(C,U)-A

O.D.T			65°F			75°F			85°F			95°F			105°F			115°F		
CFM	E.D.B.	E.W.B.	T.C.	S.C.	K.W.	T.C.	S.C.	K.W.	T.C.	S.C.	K.W.	T.C.	S.C.	K.W.	T.C.	S.C.	K.W.	T.C.	S.C.	K.W.
875	80	62	29.7	24.0	0.47	29.7	24.3	1.47	28.7	24.6	2.07	27.5	24.2	2.36	26.0	25.4	2.53	24.4	23.8	2.70
	80	67	32.2	19.3	0.50	31.9	19.5	1.53	30.9	19.8	2.08	29.4	19.5	2.35	27.7	19.1	2.52	26.0	18.1	2.70
	80	72	35.4	14.8	0.61	34.8	15.0	1.57	33.6	15.4	2.05	31.9	15.1	2.31	30.0	14.9	2.48	28.1	15.2	2.69
	75	62	29.4	19.5	0.47	29.3	19.8	1.46	28.4	20.1	2.07	27.1	19.7	2.36	25.6	18.1	2.53	24.0	19.8	2.70
1000	80	62	30.5	25.9	0.51	30.4	26.9	1.53	29.4	26.5	2.12	28.0	26.1	2.40	26.7	25.8	2.57	25.2	25.0	2.75
	80	67	32.9	20.6	0.58	32.6	21.5	1.61	31.4	21.1	2.12	29.9	20.8	2.39	28.1	20.8	2.56	26.3	20.7	2.75
	80	72	36.0	15.7	0.68	35.4	16.6	1.61	34.0	16.2	2.08	32.2	16.1	2.34	30.1	16.2	2.52	28.2	16.2	2.73
	75	62	30.0	20.8	0.51	29.9	21.8	1.52	29.0	21.3	2.12	27.6	21.5	2.41	26.0	21.4	2.57	24.4	21.3	2.75
1125	80	62	31.2	28.0	0.56	31.0	28.6	1.60	30.1	28.0	2.17	28.9	27.4	2.44	27.4	26.4	2.61	25.8	25.7	2.80
	80	67	33.4	22.1	0.65	33.0	22.7	1.66	31.8	22.3	2.16	30.2	22.2	2.43	28.5	22.4	2.60	26.6	22.5	2.79
	80	72	36.3	16.8	0.75	35.6	17.4	1.65	34.1	17.0	2.12	32.3	17.0	2.38	30.4	16.8	2.56	28.4	16.9	2.77
	75	62	30.6	22.9	0.56	30.4	23.5	1.58	29.4	23.1	2.17	28.0	22.9	2.45	26.3	22.6	2.62	24.6	22.6	2.80

COOLING EXPANDED RATINGS (CONTINUED)

BSA2BE4M1RN36K C7B(A,H)MX36(C,U)-B

O.D.T			65°F			75°F			85°F			95°F			105°F			115°F		
CFM	E.D.B.	E.W.B.	T.C.	S.C.	K.W.	T.C.	S.C.	K.W.	T.C.	S.C.	K.W.	T.C.	S.C.	K.W.	T.C.	S.C.	K.W.	T.C.	S.C.	K.W.
1050	80	62	36.6	30.6	1.55	34.9	31.2	2.06	32.9	29.4	2.45	31.1	29.4	2.77	29.3	28.5	3.04	27.6	27.5	3.3
	80	67	39.9	26.3	1.56	37.4	25.1	2.06	35.9	25.1	2.45	33.5	23.4	2.77	32.1	23.5	3.04	30.1	22.7	3.32
	80	72	43.7	21.7	1.56	41.2	20.7	2.05	39.1	20	2.44	37.1	19.2	2.76	35.1	18.4	3.05	32.9	17.5	3.34
	75	62	37.1	27.3	1.55	34.8	26.2	2.06	32.7	25.3	2.45	30.9	24.4	2.77	29.2	23.6	3.04	27.3	22.7	3.3
	75	67	40.2	22.1	1.56	37.4	20.6	2.06	35.8	20.1	2.45	33.9	19.3	2.77	31.6	18.0	3.04	29.9	17.7	3.32
1200	80	62	38	34.5	1.61	35.5	33.3	2.11	33.5	32.4	2.51	31.6	31.2	2.82	30.1	30.1	3.09	28.4	28.4	3.37
	80	67	41.2	28.6	1.62	38.7	27.5	2.11	36.5	26.7	2.5	34.6	25.8	2.82	32.6	25.0	3.1	30.5	24.1	3.38
	80	72	44.5	22.7	1.61	41.7	21.3	2.11	39.8	20.9	2.49	37.7	20	2.81	35.2	18.7	3.1	33.3	18.4	3.4
	75	62	37.8	28.9	1.61	35.4	27.7	2.11	33.4	26.8	2.51	31.5	25.9	2.82	29.7	25.1	3.09	27.7	24.3	3.36
	75	67	40.7	22.6	1.61	38.6	21.9	2.11	36.4	21.1	2.5	34.5	20.3	2.82	32.5	19.4	3.1	30.4	18.5	3.38
1350	80	62	38.6	36.6	1.67	36.1	35.3	2.17	34	33.5	2.56	32.5	32.5	2.88	30.9	30.9	3.15	29.2	29.2	3.43
	80	67	41.7	30.1	1.67	39.2	29	2.17	37	28.1	2.56	35	27.2	2.87	33.0	26.4	3.16	30.3	23.4	3.44
	80	72	44.8	23.1	1.67	42.3	22.1	2.16	40.3	21.7	2.55	37.8	20.3	2.87	35.6	19.4	3.16	33.6	19.3	3.46
	75	62	38.4	30.3	1.67	35.9	29.2	2.17	33.8	28.3	2.56	31.9	27.4	2.88	30.0	26.5	3.15	28.0	25.5	3.42
	75	67	41.5	23.9	1.67	39	22.8	2.17	36.9	21.9	2.56	34.8	21	2.87	32.8	20.2	3.16	30.7	19.3	3.44

BSA2BE4M1SN42K C7B(A,H)MX42(C,U)-B

O.D.T			65°F			75°F			85°F			95°F			105°F			115°F		
CFM	E.D.B.	E.W.B.	T.C.	S.C.	K.W.	T.C.	S.C.	K.W.	T.C.	S.C.	K.W.	T.C.	S.C.	K.W.	T.C.	S.C.	K.W.	T.C.	S.C.	K.W.
1225	80	62	43.0	33.1	2.53	41.5	32.9	2.77	39.6	33.0	3.05	37.8	32.4	3.36	35.9	34.0	3.71	33.8	32.0	4.10
	80	67	47.1	27.4	2.54	45.2	27.2	2.79	43.3	27.5	3.07	41.3	27.0	3.38	39.1	26.6	3.73	36.8	24.7	4.13
	80	72	51.6	21.2	2.58	49.6	21.1	2.82	47.5	21.5	3.10	45.2	21.1	3.41	42.8	20.8	3.77	40.3	21.4	4.16
	75	62	42.9	27.8	2.53	41.3	27.6	2.76	39.5	27.7	3.05	37.6	27.2	3.36	35.7	25.2	3.71	33.6	27.0	4.10
1400	80	62	44.0	35.4	2.60	42.4	36.1	2.83	40.5	35.2	3.12	38.5	34.8	3.43	36.6	34.5	3.78	34.5	34.1	4.18
	80	67	48.1	29.1	2.61	46.2	30.0	2.86	44.1	29.2	3.15	42.0	28.9	3.45	39.7	29.0	3.80	37.4	29.0	4.20
	80	72	52.6	22.3	2.64	50.5	23.3	2.89	48.2	22.6	3.17	45.9	22.4	3.48	43.4	22.6	3.84	40.7	22.8	4.23
	75	62	43.9	29.5	2.60	42.2	30.2	2.83	40.2	29.4	3.12	38.3	29.1	3.43	36.2	29.0	3.78	34.1	28.8	4.17
1575	80	62	44.9	37.9	2.67	43.1	38.1	2.91	41.2	37.2	3.19	39.2	36.7	3.50	37.3	36.0	3.85	35.4	35.2	4.25
	80	67	48.8	31.2	2.69	46.8	31.6	2.93	44.7	30.8	3.21	42.5	30.7	3.52	40.2	30.6	3.87	37.8	30.7	4.27
	80	72	53.3	23.8	2.71	51.1	24.4	2.95	48.8	23.7	3.24	46.3	23.7	3.55	43.8	23.6	3.91	41.1	24.0	4.30
	75	62	44.6	31.6	2.66	42.8	31.9	2.90	40.8	31.1	3.18	38.8	30.9	3.50	36.7	30.5	3.85	34.5	30.5	4.24

COOLING EXPANDED RATINGS (CONTINUED)

BSA2BE4M1SN48K C7B(A,H)MX48(C,U)-C

CFM	O.D.T		65°F			75°F			85°F			95°F			105°F			115°F		
	E.D.B.	E.W.B.	T.C.	S.C.	K.W.	T.C.	S.C.	K.W.	T.C.	S.C.	K.W.	T.C.	S.C.	K.W.	T.C.	S.C.	K.W.	T.C.	S.C.	K.W.
1400	80	62	48.1	37.3	2.77	46.2	37.0	3.07	44.2	37.2	3.39	42.1	36.5	3.75	39.9	38.2	4.16	37.6	36.0	4.60
	80	67	52.3	30.8	2.81	50.3	30.6	3.10	48.1	30.9	3.41	45.8	30.3	3.78	43.5	29.9	4.18	41.0	27.8	4.64
	80	72	57.5	23.9	2.84	55.1	23.8	3.12	52.7	24.3	3.44	50.1	23.8	3.81	47.4	23.5	4.21	44.5	24.1	4.66
	75	62	47.9	31.3	2.77	45.9	31.0	3.06	44.0	31.2	3.38	41.9	30.5	3.75	39.6	28.2	4.16	37.3	30.2	4.60
1600	80	62	49.1	39.9	2.86	47.1	40.6	3.15	45.0	39.6	3.47	42.9	39.1	3.83	40.7	38.7	4.24	38.5	38.1	4.69
	80	67	53.4	32.7	2.89	51.2	33.6	3.17	49.0	32.8	3.49	46.6	32.4	3.86	44.2	32.4	4.26	41.6	32.4	4.72
	80	72	58.4	25.2	2.92	55.9	26.3	3.20	53.1	25.5	3.53	50.5	25.3	3.88	47.8	25.4	4.29	45.1	25.6	4.74
	75	62	48.8	33.2	2.85	46.9	33.9	3.14	44.8	33.0	3.46	42.6	32.6	3.83	40.3	32.5	4.24	37.9	32.4	4.68
1800	80	62	49.9	42.7	2.94	47.9	42.8	3.23	45.8	41.7	3.55	43.7	41.1	3.91	41.6	40.2	4.32	39.5	39.3	4.77
	80	67	54.2	35.0	2.97	52.0	35.4	3.25	49.7	34.6	3.57	47.2	34.4	3.94	44.7	34.2	4.34	42.0	34.3	4.80
	80	72	58.8	26.9	3.00	56.4	27.4	3.28	53.8	26.6	3.59	51.2	26.6	3.96	48.4	26.5	4.37	45.6	26.8	4.82
	75	62	49.6	35.5	2.94	47.6	35.7	3.23	45.4	34.8	3.54	43.1	34.6	3.91	40.8	34.1	4.32	38.3	34.1	4.76

BSA2BE4M1SN60K C7B(A,H)MX60(C,U)-C

CFM	O.D.T		65°F			75°F			85°F			95°F			105°F			115°F		
	E.D.B.	E.W.B.	T.C.	S.C.	K.W.	T.C.	S.C.	K.W.	T.C.	S.C.	K.W.	T.C.	S.C.	K.W.	T.C.	S.C.	K.W.	T.C.	S.C.	K.W.
1750	80	62	60.6	46.3	3.54	58.4	45.6	3.90	56.1	45.9	4.31	53.7	45.2	4.76	51.1	47.4	5.29	48.4	44.8	5.89
	80	67	66.0	38.3	3.59	63.6	38.0	3.96	61.0	38.5	4.36	58.4	37.8	4.82	55.6	37.3	5.35	52.6	34.8	5.95
	80	72	72.5	29.9	3.65	69.8	29.8	4.03	66.9	30.4	4.43	63.8	29.9	4.89	60.5	29.5	5.41	56.9	30.4	6.01
	75	62	60.3	38.8	3.54	58.1	38.5	3.90	55.8	38.8	4.30	53.3	38.0	4.76	50.8	35.4	5.29	48.0	37.9	5.89
2000	80	62	62.0	49.1	3.65	59.7	50.0	4.01	57.3	48.9	4.41	54.8	48.4	4.87	52.1	48.2	5.40	49.3	47.8	6.00
	80	67	67.4	40.5	3.70	65.0	41.8	4.07	62.2	40.7	4.47	59.4	40.4	4.93	56.5	40.4	5.45	53.4	40.5	6.05
	80	72	73.7	31.4	3.75	70.6	32.9	4.13	67.4	31.9	4.54	64.4	31.7	4.99	61.2	31.9	5.51	57.9	32.2	6.12
	75	62	61.6	41.1	3.64	59.4	42.1	4.01	56.9	41.1	4.41	54.4	40.6	4.87	51.7	40.6	5.40	48.8	40.5	5.99
2250	80	62	63.1	52.6	3.75	60.8	52.9	4.12	58.2	51.6	4.52	55.7	51.2	4.98	53.0	50.4	5.51	50.1	49.9	6.10
	80	67	68.6	43.4	3.81	65.9	43.9	4.17	63.2	42.9	4.58	60.3	42.8	5.03	57.3	42.6	5.55	54.1	42.9	6.16
	80	72	74.4	33.5	3.86	71.4	34.2	4.24	68.4	33.2	4.65	65.3	33.3	5.10	62.0	33.2	5.62	58.5	33.7	6.23
	75	62	62.7	43.9	3.75	60.3	44.3	4.11	57.8	43.2	4.51	55.2	43.1	4.97	52.4	42.7	5.50	49.4	42.5	6.09

COOLING EXPANDED RATINGS WITH AIR HANDLER

BSA2BE4M1RN18K B6BMM024K-A

O.D.T			65°F			75°F			85°F			95°F			105°F			115°F		
CFM	E.D.B.	E.W.B.	T.C.	S.C.	K.W.	T.C.	S.C.	K.W.	T.C.	S.C.	K.W.	T.C.	S.C.	K.W.	T.C.	S.C.	K.W.	T.C.	S.C.	K.W.
525	80	62	19.6	14.8	0.62	18.3	14.5	0.89	17.2	14.8	1.09	16.3	14.5	1.25	15.4	15.2	1.39	14.7	14.4	1.52
	80	67	21.5	12.2	0.62	20.1	11.9	0.88	18.9	11.9	1.09	17.8	11.7	1.25	16.8	11.5	1.39	15.8	10.8	1.52
	80	72	23.5	9.5	0.62	22.0	9.3	0.88	20.8	9.4	1.08	19.7	9.1	1.24	18.6	9.0	1.39	17.5	9.2	1.53
	75	62	19.6	12.4	0.62	18.2	12.1	0.89	17.1	12.0	1.09	16.2	11.7	1.25	15.3	10.8	1.39	14.3	11.7	1.52
600	80	62	20.3	16.4	0.63	18.9	16.5	0.90	17.7	16.1	1.10	16.8	15.9	1.26	16.1	15.6	1.40	15.3	15.2	1.53
	80	67	22.0	13.0	0.63	20.6	13.2	0.90	19.4	12.8	1.10	18.3	12.6	1.26	17.2	12.6	1.40	16.2	12.6	1.54
	80	72	24.1	10.0	0.63	22.6	10.3	0.89	21.3	9.9	1.09	20.1	9.8	1.25	19.0	9.8	1.40	17.8	9.9	1.55
	75	62	20.1	13.2	0.63	18.7	13.3	0.90	17.5	12.8	1.10	16.5	12.6	1.26	15.6	12.6	1.40	14.6	12.6	1.53
675	80	62	20.7	17.8	0.65	19.3	17.7	0.91	18.4	17.1	1.11	17.5	16.6	1.27	16.7	16.1	1.41	15.8	15.8	1.55
	80	67	22.5	14.0	0.65	21.0	14.0	0.91	19.7	13.5	1.11	18.6	13.5	1.27	17.5	13.4	1.41	16.4	13.5	1.55
	80	72	24.6	10.7	0.64	23.0	10.8	0.90	21.7	10.4	1.10	20.5	10.4	1.26	19.3	10.3	1.41	18.1	10.5	1.56
	75	62	20.5	14.2	0.65	19.1	14.1	0.91	17.9	13.6	1.11	16.8	13.5	1.27	15.9	13.8	1.41	14.9	13.9	1.54

SA2BE4M1RN24K B6BMM024K-A

O.D.T			65°F			75°F			85°F			95°F			105°F			115°F		
CFM	E.D.B.	E.W.B.	T.C.	S.C.	K.W.	T.C.	S.C.	K.W.	T.C.	S.C.	K.W.	T.C.	S.C.	K.W.	T.C.	S.C.	K.W.	T.C.	S.C.	K.W.
700	80	62	24.2	20.1	1.16	22.8	19.6	1.44	21.5	19.1	1.67	20.3	18.6	1.86	19.1	18.1	2.04	17.8	17.4	2.22
	80	67	25.7	16.6	1.16	24.8	16.4	1.44	23.6	16	1.67	22.3	15.5	1.87	21.0	15.0	2.05	19.7	14.4	2.24
	80	72	25	12.1	1.24	26.1	12.9	1.5	25.7	12.8	1.72	24.7	12.5	1.92	23.5	12.0	2.12	22.3	11.5	2.31
	75	62	24.1	17.3	1.16	22.8	16.7	1.44	21.5	16.1	1.67	20.2	15.5	1.86	19.0	14.9	2.04	17.8	14.3	2.22
	75	67	25.9	14	1.16	24.7	13.5	1.44	23.5	13	1.67	22.2	12.4	1.87	21.0	11.9	2.05	19.6	11.4	2.24
800	80	62	24.8	21.4	1.15	23.4	20.9	1.44	22.1	20.6	1.66	20.8	20	1.86	19.6	19.2	2.04	18.5	18.5	2.23
	80	67	26.3	17.3	1.15	25.4	17.4	1.43	24.2	17	1.67	22.9	16.4	1.86	21.5	15.9	2.05	20.2	15.5	2.24
	80	72	25.2	12.3	1.23	26.5	13.2	1.49	26.3	13.5	1.71	25.3	13.1	1.92	24.1	12.7	2.11	22.8	12.2	2.31
	75	62	24.8	18.3	1.16	23.4	17.7	1.44	22	17.2	1.67	20.7	16.5	1.86	19.5	16.0	2.04	18.2	15.4	2.22
	75	67	26.4	14.5	1.16	25.4	14.2	1.44	24.1	13.6	1.67	22.8	13.1	1.87	21.4	12.5	2.05	20.1	12.0	2.24
900	80	62	25.3	22.7	1.15	23.9	22.2	1.43	22.6	21.7	1.66	21.3	21	1.86	20.2	20.2	2.04	19.1	19.1	2.23
	80	67	26.7	17.9	1.15	26	18.3	1.43	24.6	17.9	1.66	23.3	17.4	1.86	21.9	16.8	2.05	20.5	16.2	2.24
	80	72	25.2	12.4	1.22	26.8	13.6	1.49	26.8	14	1.71	25.8	13.7	1.91	24.5	13.3	2.1	23.2	12.8	2.31
	75	62	25.4	19.2	1.16	23.9	18.6	1.43	22.5	18.1	1.66	21.2	17.5	1.86	19.9	16.9	2.04	18.5	16.1	2.22
	75	67	26.9	15	1.15	25.9	14.8	1.43	24.6	14.2	1.66	23.2	13.7	1.86	21.9	13.2	2.05	20.5	12.6	2.24

BSA2BE4M1RN30K B6BMM030K-A

O.D.T			65°F			75°F			85°F			95°F			105°F			115°F		
CFM	E.D.B.	E.W.B.	T.C.	S.C.	K.W.	T.C.	S.C.	K.W.	T.C.	S.C.	K.W.	T.C.	S.C.	K.W.	T.C.	S.C.	K.W.	T.C.	S.C.	K.W.
875	80	62	28.2	22.6	0.57	28.2	22.8	1.48	27.4	23.1	1.98	26.2	22.7	2.27	24.7	24.0	2.45	23.0	22.4	2.60
	80	67	31.1	18.1	0.96	30.7	18.3	1.68	29.6	18.6	2.08	28.3	18.2	2.31	26.7	17.9	2.46	24.9	16.6	2.61
	80	72	34.5	14.2	1.31	33.6	14.3	1.84	32.4	14.6	2.15	30.8	14.3	2.34	29.0	14.1	2.48	27.1	14.4	2.64
	75	62	27.9	18.2	0.52	27.9	18.4	1.45	27.2	18.8	1.97	26.0	18.4	2.27	24.4	16.6	2.45	22.6	17.9	2.60
1000	80	62	29.1	24.3	0.76	28.9	25.2	1.60	28.1	24.8	2.06	26.9	24.6	2.33	25.4	24.4	2.50	24.0	23.8	2.65
	80	67	31.9	19.3	1.11	31.3	20.1	1.77	30.2	19.7	2.15	28.8	19.5	2.36	27.1	19.4	2.51	25.3	19.3	2.66
	80	72	35.2	14.9	1.41	34.2	15.8	1.91	32.8	15.3	2.20	31.0	15.2	2.38	29.2	15.3	2.52	27.3	15.3	2.68
	75	62	28.8	19.4	0.72	28.6	20.2	1.57	27.7	19.9	2.05	26.5	19.6	2.32	24.9	19.5	2.49	23.0	19.2	2.64
1125	80	62	29.9	26.4	0.93	29.5	26.9	1.70	28.6	26.5	2.14	27.6	26.1	2.39	26.3	25.4	2.54	24.7	24.6	2.69
	80	67	32.5	20.7	1.23	31.8	21.1	1.85	30.6	20.7	2.20	29.2	20.6	2.41	27.5	20.4	2.55	25.7	20.4	2.70
	80	72	35.5	16.0	1.48	34.4	16.5	1.96	33.0	16.0	2.25	31.3	16.0	2.42	29.5	15.9	2.56	27.6	16.0	2.73
	75	62	29.4	20.8	0.86	29.1	21.3	1.67	28.2	20.9	2.12	26.8	20.8	2.37	25.2	20.5	2.54	23.4	21.1	2.68

COOLING EXPANDED RATINGS WITH AIR HANDLER (CONTINUED)

BSA2BE4M1RN36K B6BMM042K-B

O.D.T		65°F			75°F			85°F			95°F			105°F			115°F			
CFM	E.D.B.	E.W.B.	T.C.	S.C.	K.W.	T.C.	S.C.	K.W.	T.C.	S.C.	K.W.	T.C.	S.C.	K.W.	T.C.	S.C.	K.W.	T.C.	S.C.	K.W.
1050	80	62	33.7	27.7	2.12	32	27.2	2.65	30.3	26.4	3.05	28.5	25.9	3.37	26.7	25.1	3.64	25.0	24.2	3.92
	80	67	35.8	22.3	2.15	35.1	22.6	2.67	33.4	22	3.07	31.7	21.4	3.38	29.9	20.6	3.67	27.9	19.8	3.95
	80	72	33.3	15	2.12	36.2	16.9	2.67	36.4	17.3	3.07	35	16.8	3.4	33.3	16.1	3.69	31.3	15.4	4
	75	62	33.8	23.7	2.14	32	22.9	2.66	30.2	22.1	3.06	28.4	21.3	3.37	26.6	20.5	3.64	24.9	19.8	3.92
	75	67	36.2	18.7	2.15	35	18.3	2.67	33.4	17.6	3.07	31.6	16.9	3.39	29.8	16.1	3.67	27.8	15.3	3.95
1200	80	62	36	30.8	1.73	34.2	30.5	2.25	32.4	29.9	2.66	30.6	29.3	2.97	28.7	28.1	3.25	27.2	27.2	3.53
	80	67	37.7	24.6	1.75	37.3	25.3	2.27	35.6	24.8	2.67	33.9	24.2	2.99	32.0	23.6	3.27	29.9	22.7	3.56
	80	72	34.7	16.5	1.72	38	18.7	2.27	38.6	19.5	2.67	37.2	19	3	35.4	18.4	3.29	33.4	17.7	3.6
	75	62	36.1	26.5	1.74	34.2	25.8	2.26	32.4	24.9	2.66	30.5	24.1	2.97	28.6	23.4	3.24	26.9	22.6	3.52
	75	67	38.2	20.8	1.76	37.3	20.6	2.27	35.6	19.9	2.67	33.8	19.2	2.99	31.9	18.4	3.27	29.8	17.6	3.56
1350	80	62	38.6	34.5	1.24	36.7	34.1	1.77	34.9	33.5	2.17	33	32.3	2.48	31.4	31.4	2.76	29.9	29.9	3.05
	80	67	40.1	27.1	1.26	39.8	28.4	1.78	38.1	28	2.18	36.3	27.3	2.5	34.3	26.7	2.78	32.2	25.9	3.07
	80	72	36.5	18.4	1.23	40.1	20.8	1.78	41	22	2.18	39.6	21.8	2.51	37.8	21.1	2.81	35.7	20.4	3.12
	75	62	38.7	29.6	1.26	36.7	28.9	1.78	34.8	28.2	2.17	32.9	27.4	2.48	30.9	26.4	2.76	29.1	25.7	3.04
	75	67	40.5	23.1	1.27	39.8	23.3	1.79	38	22.6	2.18	36.2	21.9	2.5	34.2	21.1	2.78	32.1	20.3	3.07

BSA2BE4M1SN42K B6BMM042K-B

O.D.T		65°F			75°F			85°F			95°F			105°F			115°F			
CFM	E.D.B.	E.W.B.	T.C.	S.C.	K.W.	T.C.	S.C.	K.W.	T.C.	S.C.	K.W.	T.C.	S.C.	K.W.	T.C.	S.C.	K.W.	T.C.	S.C.	K.W.
1225	80	62	41.7	31.3	2.43	40.0	31.0	2.64	38.0	31.0	2.89	35.9	31.5	3.19	33.5	32.9	3.51	31.4	30.9	3.87
	80	67	46.1	26.0	2.48	44.3	25.8	2.69	42.2	26.0	2.94	39.9	25.5	3.23	37.5	24.9	3.55	34.8	22.7	3.91
	80	72	50.8	20.4	2.56	48.9	20.3	2.77	46.9	20.7	3.01	44.5	20.2	3.30	42.0	19.9	3.62	39.3	20.3	3.98
	75	62	41.6	26.2	2.43	39.9	26.0	2.64	37.9	26.0	2.89	35.7	25.3	3.18	33.1	22.7	3.50	30.5	24.6	3.87
1400	80	62	42.9	33.5	2.50	41.3	35.5	2.71	39.2	34.7	2.97	37.0	34.3	3.26	35.3	34.1	3.59	33.1	32.8	3.95
	80	67	47.2	27.6	2.56	45.3	28.5	2.77	43.2	27.7	3.01	41.0	27.3	3.30	38.4	27.2	3.62	35.6	27.0	3.98
	80	72	52.1	21.4	2.65	50.1	22.4	2.86	47.9	21.7	3.10	45.5	21.5	3.38	42.9	21.7	3.70	40.1	21.7	4.06
	75	62	42.8	27.9	2.50	41.0	28.6	2.71	38.9	27.7	2.96	36.6	27.2	3.25	34.0	26.9	3.57	31.0	26.4	3.93
1575	80	62	44.1	37.8	2.58	42.3	38.1	2.78	40.2	37.3	3.04	38.7	36.8	3.33	36.7	35.5	3.66	34.4	34.3	4.03
	80	67	48.1	29.6	2.64	46.2	30.0	2.85	44.1	29.2	3.09	41.7	29.1	3.37	39.1	28.8	3.69	36.3	28.8	4.05
	80	72	53.1	22.9	2.73	51.0	23.4	2.94	48.8	22.7	3.18	46.3	22.8	3.46	43.5	22.7	3.78	40.6	22.9	4.14
	75	62	43.7	29.9	2.57	41.9	30.2	2.78	39.7	29.3	3.03	37.3	28.9	3.32	34.7	28.5	3.64	31.7	28.1	4.00

BSA2BE4M1SN48K B6BMM048K-B

O.D.T		65°F			75°F			85°F			95°F			105°F			115°F			
CFM	E.D.B.	E.W.B.	T.C.	S.C.	K.W.	T.C.	S.C.	K.W.	T.C.	S.C.	K.W.	T.C.	S.C.	K.W.	T.C.	S.C.	K.W.	T.C.	S.C.	K.W.
1400	80	62	45.9	33.9	2.75	43.8	33.5	3.00	41.4	33.5	3.30	38.9	32.7	3.64	36.1	35.4	4.00	34.2	33.6	4.43
	80	67	50.8	28.2	2.81	48.6	27.9	3.06	46.3	28.2	3.35	43.8	27.5	3.69	41.0	26.9	4.06	38.0	24.4	4.47
	80	72	56.1	22.3	2.90	53.9	22.1	3.14	51.5	22.5	3.43	48.8	22.0	3.76	46.0	21.5	4.13	43.0	22.0	4.54
	75	62	45.8	28.5	2.74	43.7	28.1	3.00	41.4	28.1	3.30	38.8	27.3	3.64	35.8	24.6	4.00	33.3	26.5	4.42
1600	80	62	47.2	36.3	2.83	44.9	36.8	3.10	42.7	37.7	3.39	40.3	37.2	3.72	38.3	37.0	4.10	36.0	35.7	4.52
	80	67	52.1	29.9	2.91	49.9	30.8	3.15	47.5	29.9	3.44	44.8	29.5	3.77	42.0	29.3	4.15	38.9	29.1	4.56
	80	72	57.5	23.3	3.00	55.2	24.4	3.24	52.7	23.6	3.53	50.0	23.4	3.85	47.1	23.5	4.22	44.0	23.5	4.64
	75	62	47.1	30.2	2.83	44.9	30.8	3.10	42.5	29.8	3.39	39.9	29.3	3.72	36.9	28.9	4.09	33.9	28.4	4.50
1800	80	62	48.2	39.0	2.92	46.1	41.3	3.18	43.8	40.4	3.48	42.2	40.0	3.82	40.0	38.6	4.20	37.5	37.3	4.61
	80	67	53.1	32.1	3.00	50.9	32.4	3.24	48.4	31.6	3.53	45.7	31.3	3.86	42.8	31.0	4.23	39.6	31.0	4.64
	80	72	58.7	24.9	3.10	56.3	25.5	3.34	53.7	24.7	3.62	50.9	24.7	3.95	47.9	24.5	4.32	44.7	24.7	4.73
	75	62	48.1	32.4	2.92	45.8	32.5	3.18	43.4	31.5	3.47	40.7	31.1	3.80	37.8	30.6	4.17	34.3	30.1	4.58

BSA2BE4M1SN60K B6BMM060K-C

O.D.T		65°F			75°F			85°F			95°F			105°F			115°F			
CFM	E.D.B.	E.W.B.	T.C.	S.C.	K.W.	T.C.	S.C.	K.W.	T.C.	S.C.	K.W.	T.C.	S.C.	K.W.	T.C.	S.C.	K.W.	T.C.	S.C.	K.W.
1750	80	62	61.1	44.8	3.32	58.3	44.3	3.67	55.3	44.3	4.06	51.9	43.2	4.50	48.3	47.2	4.99	45.4	44.3	5.57
	80	67	67.8	37.5	3.41	64.8	37.1	3.77	61.6	37.4	4.16	58.2	36.5	4.60	54.4	35.7	5.09	50.3	32.4	5.65
	80	72	75.1	29.7	3.54	72.1	29.5	3.90	68.8	30.0	4.29	65.2	29.2	4.73	61.4	28.7	5.23	57.3	29.3	5.80
	75	62	61.0	37.8	3.32	58.2	37.3	3.67	55.2	37.3	4.06	51.6	36.2	4.49	48.1	32.9	4.99	44.9	35.4	5.56
2000	80	62	63.1	48.0	3.40	60.2	48.8	3.75	57.0	47.5	4.14	53.8	48.9	4.59	50.5	48.5	5.08	47.6	47.2	5.65
	80	67	69.6	39.9	3.50	66.6	41.0	3.85	63.3	39.8	4.24	59.8	39.2	4.68	56.0	39.0	5.18	51.9	38.7	5.74
	80	72	77.3	31.2	3.65	74.1	32.7	4.00	70.6	31.6	4.39	66.9	31.2	4.83	62.9	31.3	5.33	58.7	31.4	5.89
	75	62	62.9	40.2	3.40	60.0	41.0	3.75	56.9	39.8	4.14	53.3	38.9	4.58	49.1	38.3	5.06	45.8	38.0	5.63
2250	80	62	64.7	51.7	3.48	61.7	52.0	3.83	58.8	53.2	4.23	55.9	52.8	4.68	53.2	51.4	5.19	49.8	49.6	5.75
	80	67	71.3	42.8	3.59	68.2	43.3	3.94	64.8	42.0	4.33	61.2	41.8	4.77	57.3	41.3	5.26	53.0	41.2	5.82
	80	72	79.0	33.4	3.74	75.6	34.1	4.09	72.1	33.0	4.48	68.2	33.0	4.92	64.1	32.8	5.43	59.7	33.1	5.98
	75	62	64.5	43.1	3.48	61.5	43.3	3.83	58.2	42.0	4.22	54.6	41.5	4.66	50.5	40.7	5.14	46.4	40.3	5.70



GENERAL TERMS OF LIMITED WARRANTY

Nortek Global HVAC, LLC will furnish a replacement for any part of this product which fails in normal use and service within the terms and conditions of the warranty.

For complete details of the Limited Warranty, including applicable terms and conditions, see your local installer or contact the Nortek Global HVAC, LLC warranty department for a copy.

Before purchasing this appliance, read important energy cost and efficiency information available from your retailer. Specifications and illustrations subject to change without notice and without incurring obligations. Printed in U.S.A (04/2019)