

## TECHNICAL SPECIFICATIONS

### Q7RF Series

#### Two Stage Packaged Heat Pump, Single Phase

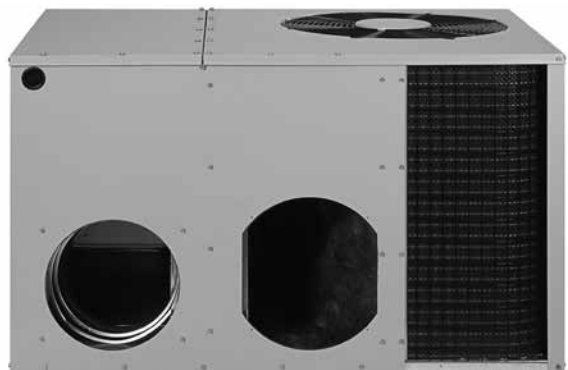
16 SEER, 12 EER, 8.2 HSPF

2 thru 5 Ton Units

Cooling: 23,200 to 56,000 Btuh

Heating: 22,600 to 54,500 Btuh

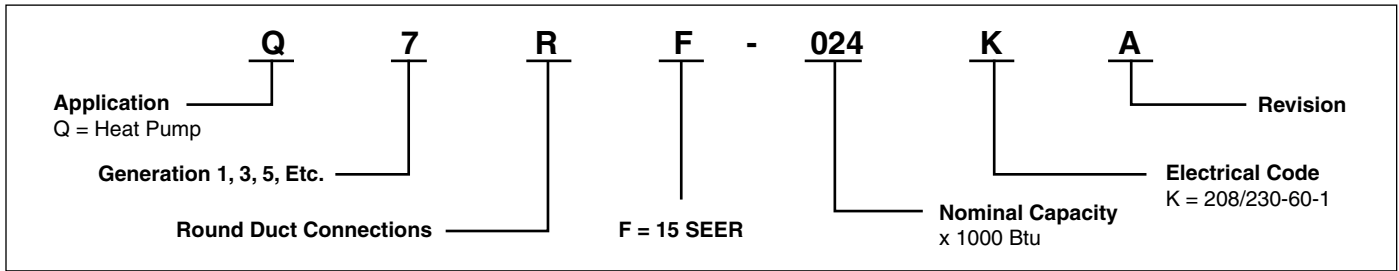
The Q7 Series single packaged heat pumps are high efficiency self contained cooling and heating units that can be installed on a slab or on a roof. Units are ETL and ETLc listed.



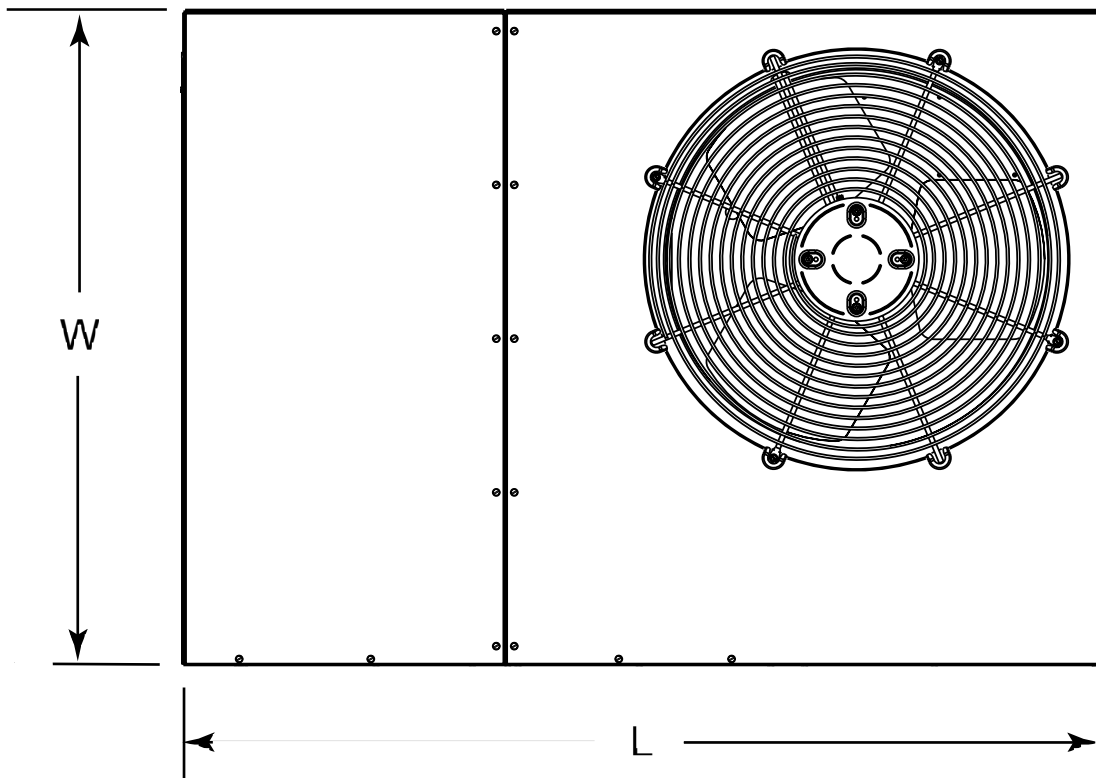
### FEATURES and BENEFITS

- **State-of-the-Art Copeland Ultra-Tech II Scroll Compressor:** Provides two stage heat/cool.
- **Galvanized Steel Cabinetry:** Polyester urethane coat finish that passes 950 hours of salt spray per ASTM Std. B117.
- **All-Aluminum Indoor and Outdoor Coils:** Designed to optimize heat transfer, increase durability and reliability, and reduce weight and refrigerant charge needed.
- **Patented Hot Gas Defrost:** Ensures complete defrost every time.
- **5-Speed Energy Efficient ECM Blower:** High static motor that delivers the right airflow.
- **Accessories:** Heater kits, high wind kits, and more.
- **A Wire Guard Coated with Earth Friendly Epoxy and Mesh Hail Guard That Will Never Rust:** Protects the coil from being damaged by balls, lawnmowers, hail, etc.
- **Designed to Make Servicing Easier:** For the contractor, access panels are provided to all major components.
- **0" Clearance:** To combustibles on duct side of the unit allows for installations in tight areas.
- **Drain Trap:** Design optimizes drainage capabilities.
- **Installation-Friendly:** Notch support rails allow easy installation on roof curbs and stands.
- **Compact Footprint and Profile:** Make the Q7 Series easy to install and transport.
- **High and Low Pressure Switches:** Added compressor protection.
- **Suction Accumulator:** Protection from liquid flood back and future compressor failures.
- **Demand Defrost Standard:** Provides additional energy savings in heating by defrosting only when necessary.
- **Three Minute Restart Time Delay:** When the unit shuts down, a three minute delay keeps the unit from restarting, eliminating the highest cause for compressor failure.
- **Quiet Operation and Low Vibration:** Swept-wing fan blade combined with custom Venturi condenser orifice.

# MODEL IDENTIFICATION CODE



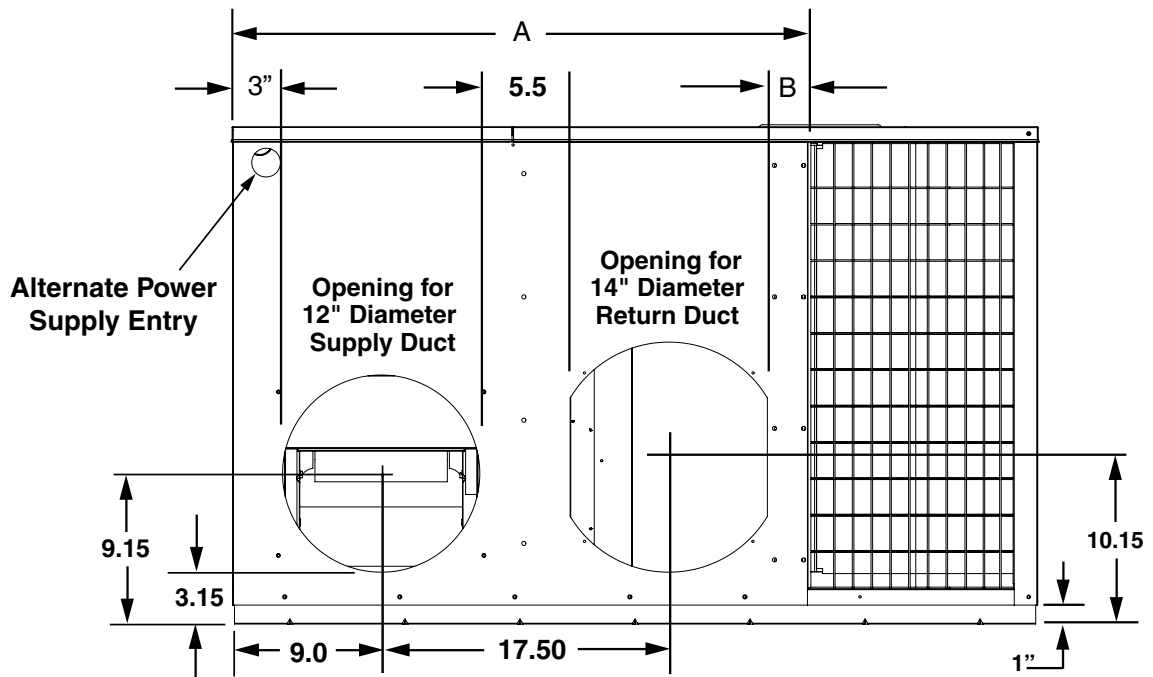
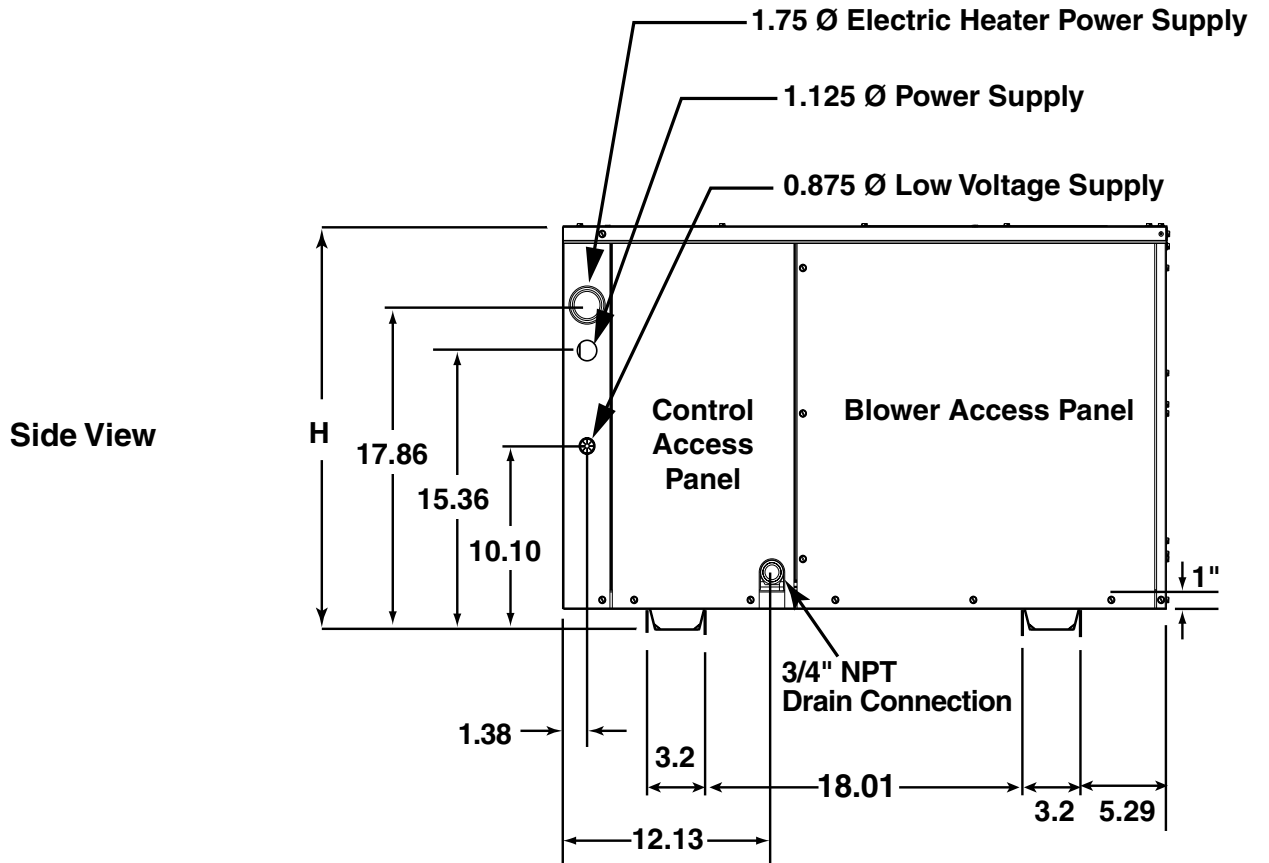
# DIMENSIONS



Top View

Model Number Q7RF-	(L) Length	(W) Width	(H) Height	A	B	Weight (lbs)	
						Net	Ship
X24K	49"	35"	30.2"	29.00"	2.48"	259	280
X36KA	49"	35"	30.2"	35.02"	2.48"	294	315
X48K	62.5"	35"	30.2"	35.02"	2.48"	354	375
X60K	62.5"	35"	30.2"	35.02"	2.48"	361	382

# DIMENSIONS Continued



# PHYSICAL SPECIFICATIONS

Model No. Q7RF		024K	036K	048K	X60KA
<b>Performance Data</b>	Cooling Btu/h	23,200	35,000	47,000	56,000
	SEER	16	16	16	16
	EER	12	12	12	12
	Heating BTU/h 47° F	22,600	34,600	47,600	54,500
	HSPF	8.2	8.2	8.2	8.2
	Sound Ratings	72	71	70	71
<b>Electrical Data</b>	Volts-Cycles-Phase (1)	208/230-60-1			
	Operating Voltage Range	187 - 253	187 - 253	187 - 253	187 - 253
	Total Amps	18.1	21.6	29.7	39.6
	Delay Fuse - Max. (2)	30	40	50	70
	Min. Circuit Ampacity (1)	21.0	25.5	35.0	46.8
<b>Compressor Data</b>	RLA	11.7	15.3	21.2	28.8
	LRA	58.3	83.0	104.0	152.9
<b>Fan Motor</b>	HP - RPM	1/3 - 2 speed	1/3 - 2 speed	1/4 - 1100	1/2 - 2 speed
	Amps	2.6	2.6	1.46	3.8
<b>Blower Motor</b>	HP	1/2	1/2	1	1
	Amps	3.8	3.8	7.0	7.0
<b>R410A Refrigerant Charge</b>	Oz.	84.8	88.0	112.0	121.6
<b>Approximate Weight (lbs.)</b>	Shipping	280	315	375	382
	Net Weight (lbs.)	259	294	354	361

(1) Operating Voltage Range: 187v min. - 253v max. Amperage and wire size based on refrigeration system only. See electrical data tables for supplemental electric heaters.

(2) HACR Type Circuit Breakers may be used.

# ELECTRICAL DATA

Model Number Q7RF	Heater kW	Single Circuit		Multiple Supply Circuit Option					
				Circuit A (Compressor, Blower & Fan)		Circuit B (Heater Only)		Circuit C (Heater Only)	
		MCA	MOP	MCA	MOP	MCA	MOP	MCA	MOP
X24K	0	21.0	30	-	-	-	-	-	-
	5	46.0	50	-	-	-	-	-	-
	8	60.6	70	21.0	30	39.6	40	-	-
	10	71.0	80	21.0	30	50.0	60	-	-
	15	96.0	100	21.0	30	25.0	30	50.0	60
X36KA	0	25.5	40	-	-	-	-	-	-
	5	50.5	60	-	-	-	-	-	-
	8	65.1	70	25.5	40	39.6	40	-	-
	10	75.5	80	25.5	40	50.0	60	-	-
	15	100.5	110	25.5	40	25.0	30	50.0	60
X48K	0	35.0	50	-	-	-	-	-	-
	5	60.0	70	46.8	70	25.0	30	-	-
	8	74.5	80	46.8	70	39.6	40	-	-
	10	85.0	90	46.8	70	50.0	60	-	-
	15	110.0	110	46.8	70	25.0	30	50.0	60
	20	135.0	150	46.8	70	50.0	60	50.0	60
X60K	0	46.8	70	-	-	-	-	-	-
	5	71.8	90	46.8	70	25.0	30	-	-
	8	86.4	100	46.8	70	39.6	40	-	-
	10	96.8	110	46.8	70	50.0	60	-	-
	15	121.8	125	46.8	70	25.0	30	50.0	60
	20	146.8	150	46.8	70	50.0	60	50.0	60

**NOTE:** If electric heat is installed, and the overcurrent rating exceeds 60A, internal circuit breakers must be installed in addition to branch circuit protection at the distribution panel.

# ACCESSORIES

## Heater Application Matrix

Model Number Q7RF-	H3HK-005H-01C 917166C	H3HK-008H-01C 917167C	H3HK-010H-01C 917168C	H3HK-015H-01C 917169C	H3HK-020H-01C 917170C	H3HK-015H-21C 917172C	H3HK-020H-21C 917173C
X24K	X(0)	X(0)	X(2)	NA	NA	NA	NA
X36KA	X(0)	X(2)	X(2)	X(2)	NA	X(0)	NA
X48K	X(2)	X(2)	X(2)	X(2)	X(3)	X(0)	X(1)
X60K	X(2)	X(2)	X(2)	X(2)	X(3)	X(0)	X(1)

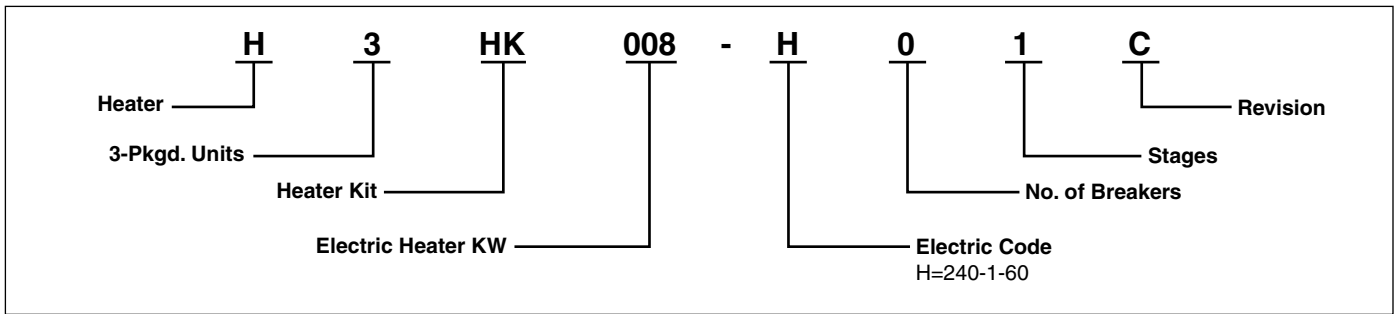
NA = Not Approved

() = Number of internal circuit breaker kits required.

X = Branch circuit protection only

NOTE: Blower performance heating values based on 10kw heater kit for X24k, and X36k. 15kw values used for X48k.

## Heater Kit Model Identification Code



## Accessories

Description	Part Number
4-Pole single circuit adaptor	913350
6-Pole single circuit adaptor	913556
Circuit Breaker Single Phase (2-pole)	913554
Extreme High Wind Kit - Ground Mount	920908
12" Duct Collar	250101R
14" Duct Collar	250102R

# BLOWER PERFORMANCE - ECM

Model Number		External Static Pressure Drop (inches water column)															
Q7RF	Blower Setting	0.1		0.2		0.3		0.4		0.5		0.6		0.7		0.8	
		CFM	Heat Rise	CFM	Heat Rise	CFM	Heat Rise	CFM	Heat Rise	CFM	Heat Rise	CFM	Heat Rise	CFM	Heat Rise	CFM	Heat Rise
X24K	Tap T1*	686	46	651	49	621	51	589	54	530	60	477	-	431	-	382	-
	Tap T2**	926	34	884	36	861	37	827	38	785	40	734	43	676	47	622	51
	Tap T3***	1184	27	1161	27	1134	28	1109	28	1075	29	1041	30	1002	32	962	33
	Tap T4	1383	23	1360	23	1330	24	1303	24	1277	25	1246	25	1215	26	1137	28
	Tap T5	1537	21	1510	21	1487	21	1459	22	1437	22	1412	22	1382	23	1350	23
X36KA	Tap T1*	1004	31	972	33	938	34	897	35	845	37	779	41	739	43	668	47
	Tap T2***	1167	27	1132	28	1100	29	1061	30	1020	31	979	32	921	34	851	37
	Tap T3**	1355	23	1320	24	1282	25	1247	25	1209	26	1168	27	1121	28	1066	30
	Tap T4	1510	21	1477	21	1441	22	1403	23	1366	23	1330	24	1288	25	1243	25
	Tap T5	1648	19	1614	20	1578	20	1544	20	1512	21	1473	21	1434	22	1393	23
X48K	Tap T1*	1108	29	1063	30	1031	31	987	32	939	34	894	35	850	37	808	39
	Tap T2***	1108	29	1063	30	1031	31	987	32	939	34	894	35	850	37	808	39
	Tap T3**	1666	19	1629	19	1587	20	1572	20	1542	20	1507	21	1477	21	1431	22
	Tap T4	1884	17	1824	17	1795	18	1762	18	1730	18	1707	19	1671	19	1634	19
	Tap T5	1979	16	1948	16	1925	16	1892	17	1861	17	1834	17	1804	18	1766	18
X60K	Tap T1***	923	34	875	36	799	40	735	43	677	47	623	51	579	55	543	58
	Tap T2*	1335	24	1295	24	1259	25	1214	26	1183	27	1144	28	1117	28	1063	30
	Tap T3	1754	18	1721	18	1684	19	1660	19	1634	19	1597	20	1568	20	1541	21
	Tap T4**	2045	15	2022	16	1983	16	1950	16	1921	16	1894	17	1869	17	1826	17
	Tap T5	2253	14	2218	14	2187	14	2153	15	2117	15	2091	15	2057	15	2021	16

\* Denotes factory set low cooling & heating speed

\*\* Denotes factory set high cooling & heating speed

\*\*\* Denotes factory set auxillary heating speed

Conversion	
KW/h to Btu/h	3412.1
KW/h	Btu/h
5	17060.7
8	27297.1
10	34121.4
15	51182.1
20	68242.8

Heat rise

$$\text{Btu/h} = \text{CFM} \times \Delta T \times 1.08$$

$$\Delta T = (\text{Btu/h}) / (\text{CFM} \times 1.08)$$

# COOLING EXPANDED RATINGS

## Q7RF-X24K High Speed

CFM	ODT		65°F			75°F			85°F			95°F			105°F			115°F		
	E.D.B.	E.W.B.	T.C.	S.C.	K.W.	T.C.	S.C.	K.W.	T.C.	S.C.	K.W.	T.C.	S.C.	K.W.	T.C.	S.C.	K.W.	T.C.	S.C.	K.W.
790	75	63	26.3	20.3	1.33	25.2	19.7	1.48	24.0	19.2	1.64	22.7	18.6	1.82	21.3	17.9	2.04	19.8	17.2	2.32
	80	62	26.6	25.5	1.33	25.6	24.9	1.48	24.4	24.3	1.64	23.3	23.3	1.83	22.0	22.0	2.05	20.7	20.7	2.33
	80	67	28.0	20.9	1.34	26.8	20.3	1.49	27.2	15.4	1.67	24.1	19.2	1.83	22.7	18.6	2.05	21.1	17.9	2.33
	80	72	30.0	16.4	1.36	28.7	15.9	1.51	25.5	19.8	1.65	25.7	14.8	1.84	24.1	14.3	2.06	22.3	13.6	2.34
890	75	63	26.8	21.5	1.35	25.6	20.9	1.50	24.3	20.3	1.66	23.0	19.7	1.84	21.6	19.1	2.06	20.1	18.4	2.33
	80	62	27.3	27.2	1.35	26.2	26.2	1.50	25.1	25.1	1.66	23.9	23.9	1.85	22.6	22.6	2.07	21.1	21.1	2.35
	80	67	28.5	22.1	1.36	27.2	21.6	1.51	25.9	21.0	1.67	24.5	20.4	1.85	23.0	19.8	2.07	21.4	19.1	2.35
	80	72	30.3	17.2	1.38	28.9	16.7	1.52	27.4	16.2	1.68	25.8	15.6	1.86	24.2	15.0	2.08	22.5	14.3	2.36
990	75	63	27.1	22.6	1.37	25.9	22.1	1.51	24.6	21.5	1.67	23.3	20.9	1.85	21.9	20.2	2.07	20.3	19.5	2.35
	80	62	28.0	28.0	1.37	26.9	26.9	1.52	25.7	25.7	1.68	24.4	24.4	1.86	23.0	23.0	2.08	21.5	21.5	2.37
	80	67	28.8	23.4	1.38	27.5	22.8	1.53	26.1	22.2	1.69	24.8	21.7	1.87	23.3	21.0	2.08	21.6	20.3	2.37
	80	72	30.4	18.0	1.39	29.0	17.4	1.54	27.5	16.9	1.70	26.0	16.3	1.87	24.4	15.7	2.09	22.6	15.0	2.37

## Q7RF-X24K Low Speed

CFM	ODT		65°F			75°F			85°F			95°F			105°F			115°F		
	E.D.B.	E.W.B.	T.C.	S.C.	K.W.	T.C.	S.C.	K.W.	T.C.	S.C.	K.W.	T.C.	S.C.	K.W.	T.C.	S.C.	K.W.	T.C.	S.C.	K.W.
625	75	63	20.4	15.9	0.88	19.6	15.5	1.00	18.6	15.1	1.14	17.5	14.6	1.31	16.3	14.0	1.49	15.1	13.5	1.69
	80	62	21.4	21.4	0.88	20.7	20.7	1.00	19.7	19.7	1.14	18.0	18.0	1.30	16.9	16.9	1.48	15.8	15.8	1.69
	80	67	22.2	17.7	0.87	21.3	17.3	0.99	20.3	16.9	1.14	18.7	15.1	1.29	17.4	14.5	1.48	16.1	14.0	1.69
	80	72	23.7	13.7	0.85	22.7	13.3	0.98	21.5	12.9	1.12	20.0	11.6	1.28	18.6	11.1	1.47	17.1	10.6	1.68
725	75	63	20.8	17.1	0.88	20.0	16.7	1.01	19.0	16.3	1.15	17.9	15.8	1.31	16.6	15.2	1.50	15.4	14.6	1.70
	80	62	21.4	21.4	0.88	20.7	20.7	1.00	19.7	19.7	1.14	18.7	18.7	1.30	17.5	17.5	1.49	16.4	16.4	1.70
	80	67	22.2	17.7	0.87	21.3	17.3	0.99	20.3	16.9	1.14	19.0	16.3	1.30	17.8	15.8	1.49	16.5	15.3	1.69
	80	72	23.7	13.7	0.85	22.7	13.3	0.98	21.5	12.9	1.12	20.1	12.4	1.29	18.8	11.9	1.48	17.3	11.4	1.69
825	75	63	21.2	18.3	0.89	20.4	18.0	1.01	19.3	17.4	1.16	18.2	16.9	1.32	16.9	16.4	1.50	15.7	15.6	1.71
	80	62	22.0	22.0	0.88	21.3	21.3	1.00	20.3	20.3	1.15	19.1	19.1	1.31	18.0	18.0	1.49	16.7	16.7	1.70
	80	67	22.6	19.0	0.87	21.7	18.6	1.00	20.6	18.1	1.14	19.4	17.6	1.31	18.1	17.1	1.49	16.8	16.4	1.70
	80	72	23.9	14.5	0.86	22.9	14.1	0.98	21.7	13.6	1.13	20.3	13.1	1.29	18.9	12.6	1.48	17.5	12.1	1.70

## Q7RF-X36KA High Speed

CFM	ODT		65°F			75°F			85°F			95°F			105°F			115°F		
	E.D.B.	E.W.B.	T.C.	S.C.	K.W.	T.C.	S.C.	K.W.	T.C.	S.C.	K.W.	T.C.	S.C.	K.W.	T.C.	S.C.	K.W.	T.C.	S.C.	K.W.
1010	75	63	39.9	26.6	2.00	38.2	25.5	2.25	35.6	24.2	2.50	32.1	22.8	2.76	27.7	21.2	3.01	22.4	19.5	3.26
	80	62	39.2	32.7	2.03	37.5	31.5	2.29	34.9	30.2	2.54	31.4	28.8	2.79	27.0	27.0	3.05	21.7	21.7	3.30
	80	67	43.1	27.4	2.04	41.4	26.3	2.29	38.8	25.0	2.54	35.3	23.6	2.79	30.9	22.0	3.05	25.6	20.3	3.30
	80	72	46.3	22.2	2.04	44.7	21.0	2.29	42.1	19.7	2.54	38.6	18.3	2.80	34.2	16.8	3.05	28.8	15.1	3.30
1210	75	63	40.6	29.4	2.09	38.9	28.2	2.35	36.4	27.0	2.60	32.9	25.5	2.85	28.5	24.0	3.10	23.1	22.3	3.36
	80	62	39.9	35.4	2.13	38.3	34.3	2.38	35.7	33.0	2.63	32.2	31.6	2.89	27.8	27.8	3.14	22.5	22.5	3.39
	80	67	43.8	30.2	2.13	42.2	29.0	2.38	39.6	27.8	2.64	36.1	26.3	2.89	31.7	24.8	3.14	26.3	23.1	3.39
	80	72	47.1	24.9	2.13	45.4	23.8	2.38	42.8	22.5	2.64	39.3	21.1	2.89	34.9	19.5	3.14	29.6	17.8	3.40
1410	75	63	42.4	30.8	2.19	40.8	29.7	2.44	38.2	28.4	2.69	34.7	27.0	2.95	30.3	25.4	3.20	24.9	23.7	3.45
	80	62	41.8	36.8	2.22	40.1	35.7	2.48	37.5	34.4	2.73	34.0	33.0	2.98	29.6	29.6	3.23	24.3	24.3	3.49
	80	67	45.6	31.6	2.22	44.0	30.4	2.48	41.4	29.2	2.73	37.9	27.7	2.98	33.5	26.2	3.24	28.2	24.5	3.49
	80	72	48.9	26.3	2.23	47.2	25.2	2.48	44.7	23.9	2.73	41.2	22.5	2.98	36.7	20.9	3.24	31.4	19.2	3.49

## Q7RF-X36KA Low Speed

CFM	ODT		65°F			75°F			85°F			95°F			105°F			115°F		
	E.D.B.	E.W.B.	T.C.	S.C.	K.W.	T.C.	S.C.	K.W.	T.C.	S.C.	K.W.	T.C.	S.C.	K.W.	T.C.	S.C.	K.W.	T.C.	S.C.	K.W.
800	80	62	17.3	12.7	1.57	21.2	7.3	1.55	23.6	4.9	1.53	23.6	5.0	1.53	23.6	6.1	1.53	23.6	6.1	1.53
	80	67	26.5	15.6	1.40	25.6	15.5	1.53	24.5	15.7	1.68	23.4	15.4	1.84	22.2	15.1	2.02	21.0	17.2	2.25
	80	72	30.4	19.0	1.27	29.0	18.8	1.43	27.6	19.0	1.63	26.1	18.6	1.86	24.5	18.2	2.13	22.7	18.3	2.43
	75	62	27.7	19.2	1.29	26.4	19.0	1.45	25.1	19.1	1.64	23.7	18.6	1.87	22.2	17.0	2.14	20.7	18.3	2.44
950	80	62	17.8	14.0	1.58	21.5	8.2	1.56	23.9	4.8	1.55	23.9	5.1	1.55	23.9	5.6	1.55	23.9	6.2	1.55
	80	67	27.5	17.1	1.43	26.5	17.6	1.56	25.4	17.1	1.71	24.2	16.9	1.87	22.9	16.9	2.05	21.6	16.9	2.27
	80	72	31.2	20.9	1.29	29.8	21.4	1.44	28.3	20.9	1.64	26.8	20.6	1.87	25.1	20.6	2.14	23.3	20.5	2.45
	75	62	28.6	21.2	1.30	27.2	21.6	1.46	25.9	21.0	1.65	24.4	20.7	1.88	22.9	20.6	2.15	21.3	20.4	2.46
1100	80	62	18.1	15.5	1.59	21.6	8.7	1.57	24.1	4.8	1.56	24.1	5.2	1.56	24.1	5.6	1.56	24.1	6.3	1.56
	80	67	28.8	19.7	1.46	27.6	19.8	1.59	26.5	19.6	1.74	25.2	19.5	1.89	23.8	19.3	2.08	22.3	19.3	2.30
	80	72	32.0	23.1	1.30	30.5	23.3	1.46	29.0	22.8	1.65	27.4	22.7	1.89	25.7	22.5	2.16	23.9	22.4	2.47
	75	62	29.3	23.4	1.31	27.9	23.5	1.47	26.6	22.9	1.66	25.1	22.8	1.90	23.6	22.4	2.17	22.0	21.9	2.47



# COOLING EXPANDED RATINGS (CONTINUED)

## Q7RF-X48K High Speed

CFM	ODT		65°F			75°F			85°F			95°F			105°F			115°F		
	E.D.B.	E.W.B.	T.C.	S.C.	K.W.	T.C.	S.C.	K.W.	T.C.	S.C.	K.W.	T.C.	S.C.	K.W.	T.C.	S.C.	K.W.	T.C.	S.C.	K.W.
1320	80	62	51.9	41.5	2.78	48.9	39.8	3.04	45.6	38.1	3.38	41.9	36.5	3.78	37.8	34.8	4.26	33.3	33.2	4.82
	80	67	56.0	35.0	2.83	53.1	33.3	3.09	49.7	31.7	3.42	46.0	30.0	3.83	41.9	28.3	4.31	37.4	26.7	4.86
	80	72	60.7	28.5	2.87	57.8	26.8	3.12	54.4	25.2	3.46	50.7	23.5	3.86	46.6	21.9	4.34	42.1	20.2	4.90
	75	62	51.9	34.1	3.40	48.9	32.5	3.50	45.6	30.8	3.67	41.9	29.2	3.91	37.8	27.5	4.24	33.3	25.9	4.63
1520	80	62	53.1	44.2	2.82	50.1	42.5	3.08	46.8	40.9	3.41	43.1	39.2	3.82	39.0	37.6	4.30	34.5	34.5	4.86
	80	67	57.2	37.7	2.87	54.3	36.0	3.13	50.9	34.4	3.46	47.2	32.7	3.87	43.1	31.1	4.35	38.6	29.4	4.90
	80	72	61.9	31.2	2.90	58.9	29.5	3.16	55.6	27.9	3.50	51.9	26.2	3.90	47.8	24.6	4.38	43.3	22.9	4.94
	75	62	53.0	36.8	3.44	50.1	35.2	3.53	46.8	33.5	3.71	43.0	31.9	3.95	38.9	30.2	4.27	34.5	28.6	4.67
1720	80	62	53.7	44.8	2.94	50.7	43.2	3.20	47.4	41.5	3.53	43.7	39.9	3.94	39.6	38.2	4.42	35.1	35.1	4.97
	80	67	57.8	38.3	2.98	54.9	36.7	3.24	51.5	35.0	3.58	47.8	33.4	3.98	43.7	31.7	4.46	39.2	30.1	5.02
	80	72	62.5	31.8	3.02	59.6	30.2	3.28	56.2	28.5	3.61	52.5	26.9	4.02	48.4	25.2	4.50	43.9	23.6	5.05
	75	62	53.6	37.5	3.55	50.7	35.8	3.65	47.4	34.2	3.82	43.7	32.5	4.07	39.6	30.9	4.39	35.1	29.2	4.78

## Q7RF-X48K Low Speed

CFM	ODT		65°F			75°F			85°F			95°F			105°F			115°F		
	E.D.B.	E.W.B.	T.C.	S.C.	K.W.	T.C.	S.C.	K.W.	T.C.	S.C.	K.W.	T.C.	S.C.	K.W.	T.C.	S.C.	K.W.	T.C.	S.C.	K.W.
950	80	62	37.2	29.3	1.79	35.8	29.2	2.03	34.3	29.3	2.31	32.4	28.7	2.63	30.4	29.9	2.99	28.3	27.9	3.39
	80	67	40.4	24.0	1.76	38.9	23.9	2.01	37.1	24.1	2.29	35.0	23.6	2.61	32.8	23.1	2.97	30.3	21.7	3.38
	80	72	53.5	9.6	1.67	51.7	9.7	1.93	49.5	10.3	2.22	47.0	9.9	2.55	44.2	9.7	2.91	41.1	10.3	3.32
	75	62	48.5	10.2	1.70	46.8	10.2	1.96	44.7	10.7	2.25	42.3	10.3	2.57	39.7	9.2	2.93	36.8	10.4	3.34
1100	80	62	38.6	32.3	1.77	37.2	32.9	2.02	35.6	32.3	2.30	33.8	31.8	2.62	31.9	30.9	2.98	29.9	29.6	3.38
	80	67	41.6	26.1	1.75	40.1	26.9	2.00	38.2	26.2	2.29	36.1	25.9	2.60	33.8	25.8	2.96	31.2	25.6	3.37
	80	72	53.5	9.6	1.67	51.7	10.8	1.93	49.5	10.3	2.22	47.0	10.2	2.55	44.2	10.5	2.91	41.1	10.7	3.32
	75	62	48.5	10.2	1.70	46.7	11.2	1.96	44.7	10.7	2.25	42.3	10.5	2.57	39.7	10.6	2.93	36.8	10.7	3.34
1250	80	62	40.0	35.5	1.76	38.6	35.8	2.01	37.0	34.5	2.29	35.3	33.5	2.61	33.3	32.2	2.97	31.2	31.0	3.37
	80	67	42.7	28.6	1.74	41.1	29.0	2.00	39.1	28.3	2.28	37.0	28.2	2.60	34.6	27.9	2.96	32.0	27.9	3.37
	80	72	53.5	10.1	1.67	51.7	10.8	1.93	49.5	10.3	2.22	47.0	10.4	2.55	44.2	10.5	2.91	41.1	10.9	3.32
	75	62	48.5	10.6	1.70	46.7	11.2	1.96	44.7	10.7	2.25	42.3	10.7	2.57	39.7	10.6	2.93	36.8	10.8	3.34

## Q7RF-X60K High Speed

CFM	ODT		65°F			75°F			85°F			95°F			105°F			115°F		
	E.D.B.	E.W.B.	T.C.	S.C.	K.W.	T.C.	S.C.	K.W.	T.C.	S.C.	K.W.	T.C.	S.C.	K.W.	T.C.	S.C.	K.W.	T.C.	S.C.	K.W.
1600	80	62	61.3	51.1	3.31	57	49.1	3.59	52.7	47.1	3.93	48.4	45.1	4.33	44.1	43.1	4.80	39.8	39.8*	5.32
	80	67	67.5	43.4	3.45	63.2	41.4	3.73	58.9	39.4	4.07	54.6	37.4	4.47	50.4	35.4	4.94	46.1	33.4	5.46
	80	72	73.7	35.7	3.59	69.5	33.7	3.87	65.2	31.7	4.21	60.9	29.7	4.61	56.6	27.7	5.08	52.3	25.7	5.60
	75	62	61.0	43.4	3.31	56.7	41.4	3.59	52.4	39.4	3.93	48.1	37.4	4.33	43.8	35.4	4.79	39.6	33.4	5.32
1800	80	62	62.0	53.0	3.48	57.7	51	3.76	53.5	49	4.10	49.2	47	4.50	44.9	44.9*	4.97	40.6	40.6	5.49
	80	67	68.3	45.3	3.62	64	43.3	3.90	59.7	41.3	4.24	55.4	39.3	4.64	51.1	37.3	5.10	46.8	35.3	5.63
	80	72	74.5	37.6	3.75	70.2	35.6	4.04	65.9	33.6	4.38	61.7	31.6	4.78	57.4	29.6	5.24	53.1	27.6	5.77
	75	62	61.8	45.3	3.47	57.5	43.3	3.75	53.2	41.3	4.10	48.9	39.3	4.50	44.6	37.3	4.96	40.3	35.2	5.49
2000	80	62	62.8	54.9	3.64	58.5	52.9	3.93	54.2	50.8	4.27	49.9	48.8	4.67	45.6	45.6*	5.13	41.4	41.4	5.66
	80	67	69.0	47.2	3.78	64.7	45.2	4.06	60.5	43.2	4.41	56.2	41.1	4.81	51.9	39.1	5.27	47.6	37.1	5.80
	80	72	75.3	39.5	3.92	71	37.5	4.20	66.7	35.5	4.54	62.4	33.4	4.95	58.1	31.4	5.41	53.8	29.4	5.93
	75	62	62.5	47.1	3.64	58.2	45.1	3.92	53.9	43.1	4.26	49.7	41.1	4.67	45.4	39.1	5.13	41.1	37.1	5.65

## Q7RF-X60K Low Speed

CFM	ODT		65°F			75°F			85°F			95°F			105°F			115°F		
	E.D.B.	E.W.B.	T.C.	S.C.	K.W.	T.C.	S.C.	K.W.	T.C.	S.C.	K.W.	T.C.	S.C.	K.W.	T.C.	S.C.	K.W.	T.C.	S.C.	K.W.
1040	80	62	43.4	36.3	2.01	40.2	34.7	2.26	36.9	33.0	2.57	33.6	31.2	2.92	30.2	29.4	3.32	26.8	26.8	3.77
	80	67	48.5	31.7	2.04	45.3	30.0	2.29	42.0	28.3	2.60	38.7	26.6	2.95	35.3	24.8	3.35	31.9	22.9	3.81
	80	72	54.3	25.1	2.07	51.0	23.5	2.33	47.7	21.8	2.63	44.4	20.0	2.98	41.0	18.2	3.39	37.6	16.4	3.84
	75	62	43.2	30.6	2.01	40.0	29.0	2.27	36.7	27.3	2.57	33.4	25.5	2.92	30.0	23.7	3.33	26.6	21.9	3.78
1240	80	62	43.2	38.4	1.99	40.0	36.8	2.25	36.7	35.1	2.55	33.4	33.3	2.90	30.0	30.0	3.31	26.5	26.5	3.76
	80	67	48.3	33.8	2.02	45.1	32.1	2.28	41.8	30.4	2.58	38.5	28.7	2.94	35.1	26.9	3.34	31.6	25.1	3.79
	80	72	54.0	27.2	2.06	50.8	25.6	2.31	47.5	23.9	2.62	44.2	22.1	2.97	40.8	20.3	3.37	37.4	18.5	3.82
	75	62	43.0	32.7	1.99	39.8	31.1	2.25	36.5	29.4	2.55	33.2	27.7	2.91	29.8	25.9	3.31	26.3	24.0	3.76
1440	80	62	44.7	41.0	2.18	41.4	39.3	2.44	38.2	37.6	2.74	34.8	34.8	3.10	31.4	31.4	3.50	28.0	28.0	3.95
	80	67	49.8	36.3	2.22	46.5	34.7	2.47	43.3	33.0	2.78	39.9	31.3	3.13	36.5	29.5	3.53	33.1	27.6	3.98
	80	72	55.5	29.8	2.25	52.3	28.1	2.51	49.0	26.4	2.81	45.7	24.7	3.16	42.3	22.9	3.57	38.9	21.1	4.02
	75	62	44.5	35.3	2.19	41.2	33.7	2.44	38.0	32.0	2.75	34.6	30.2	3.10	31.2	28.4	3.50	27.8	26.6	3.96

# HEATING EXPANDED RATINGS

## Q7RF-X24K High Speed

CFM		Indoor T. Deg.F		OUTDOOR TEMPERATURE (Deg. F)																							
				10			17			20			30			40			47			50			60		
				MBH	COP	kW	MBH	COP	kW	MBH	COP	kW	MBH	COP	kW	MBH	COP	kW	MBH	COP	kW	MBH	COP	kW	MBH	COP	kW
790	60	9.56	1.74	1.61	12.7	2.28	1.63	13.8	2.48	1.64	17.6	3.12	1.66	21.4	3.75	1.68	24.1	4.17	1.69	25.3	4.36	1.70	29.1	4.95	1.72		
	70	9.46	1.76	1.57	12.0	2.19	1.60	13.0	2.36	1.62	16.6	2.93	1.66	20.2	3.47	1.70	22.7	3.84	1.73	23.7	3.99	1.75	27.3	4.48	1.79		
	80	8.86	1.67	1.56	11.2	2.06	1.59	12.2	2.22	1.61	15.5	2.75	1.66	18.9	3.24	1.71	21.2	3.57	1.74	22.2	3.70	1.76	25.5	4.14	1.81		
890	60	10.0	1.78	1.65	12.8	2.24	1.67	13.9	2.44	1.67	17.8	3.08	1.69	21.7	3.71	1.71	24.4	4.14	1.73	25.6	4.32	1.73	29.4	4.92	1.75		
	70	9.57	1.73	1.62	12.1	2.15	1.65	13.2	2.33	1.66	16.8	2.90	1.70	20.4	3.44	1.74	23.0	3.80	1.77	24.0	3.96	1.78	27.7	4.45	1.82		
	80	8.97	1.65	1.59	11.4	2.04	1.63	12.4	2.20	1.65	15.8	2.72	1.70	19.2	3.21	1.75	21.5	3.53	1.79	22.6	3.66	1.81	26.0	4.09	1.86		
990	60	10.2	1.76	1.70	12.9	2.22	1.71	14.1	2.41	1.71	18.0	3.05	1.73	21.9	3.68	1.75	24.6	4.11	1.76	25.8	4.30	1.76	29.7	4.91	1.78		
	70	9.67	1.71	1.66	12.2	2.13	1.69	13.3	2.31	1.70	17.0	2.87	1.74	20.7	3.42	1.78	23.3	3.78	1.80	24.4	3.94	1.81	28.0	4.44	1.85		
	80	9.11	1.64	1.63	11.5	2.02	1.67	12.5	2.18	1.69	15.9	2.68	1.74	19.3	3.16	1.80	21.7	3.48	1.83	22.8	3.61	1.85	26.2	4.03	1.90		

## Q7RF-X24K Low Speed

CFM		Indoor T. Deg.F		OUTDOOR TEMPERATURE (Deg. F)																							
				10			17			20			30			40			47			50			60		
				MBH	COP	kW	MBH	COP	kW	MBH	COP	kW	MBH	COP	kW	MBH	COP	kW	MBH	COP	kW	MBH	COP	kW	MBH	COP	kW
625	60	5.32	1.24	1.26	7.53	1.77	1.25	8.48	2.01	1.24	11.6	2.80	1.22	14.8	3.63	1.20	17.0	4.22	1.18	18.0	4.48	1.18	21.1	5.36	1.15		
	70	4.88	1.23	1.17	6.90	1.73	1.17	7.77	1.95	1.17	10.7	2.67	1.17	13.5	3.39	1.17	15.6	3.89	1.17	16.4	4.10	1.17	19.3	4.82	1.18		
	80	4.25	1.14	1.09	6.11	1.63	1.10	6.90	1.84	1.10	9.54	2.52	1.11	12.2	3.20	1.12	14.0	3.67	1.12	14.8	3.87	1.12	17.5	4.53	1.13		
725	60	5.36	1.20	1.30	7.61	1.73	1.29	8.58	1.96	1.28	11.8	2.74	1.26	15.0	3.56	1.24	17.3	4.14	1.22	18.2	4.40	1.22	21.5	5.27	1.19		
	70	4.97	1.20	1.22	7.03	1.69	1.22	7.91	1.90	1.22	10.9	2.61	1.22	13.8	3.32	1.22	15.9	3.81	1.22	16.7	4.02	1.22	19.7	4.73	1.22		
	80	4.38	1.13	1.13	6.28	1.61	1.14	7.09	1.81	1.15	9.80	2.48	1.16	12.5	3.12	1.17	14.4	3.57	1.18	15.2	3.76	1.19	17.9	4.38	1.20		
825	60	5.61	1.21	1.35	7.86	1.72	1.34	8.82	1.95	1.33	12.0	2.72	1.30	15.3	3.51	1.27	17.5	4.10	1.25	18.5	4.35	1.25	21.7	5.22	1.22		
	70	5.06	1.18	1.26	7.16	1.67	1.26	8.06	1.88	1.26	11.1	2.57	1.26	14.1	3.27	1.26	16.2	3.76	1.26	17.0	3.97	1.26	20.0	4.67	1.26		
	80	4.53	1.13	1.18	6.43	1.58	1.19	7.24	1.78	1.19	10.0	2.41	1.21	12.7	3.03	1.23	14.6	3.46	1.24	15.4	3.64	1.24	18.1	4.23	1.26		

## Q7RF-X36KA High Speed

CFM		Indoor T. Deg.F		OUTDOOR TEMPERATURE (Deg. F)																							
				10			17			20			30			40			47			50			60		
				MBH	COP	kW	MBH	COP	kW	MBH	COP	kW	MBH	COP	kW	MBH	COP	kW	MBH	COP	kW	MBH	COP	kW	MBH	COP	kW
1010	60	16.1	2.48	1.82	20.0	2.83	1.92	21.7	2.97	1.96	27.1	3.42	2.09	32.5	3.84	2.23	36.2	4.11	2.32	37.8	4.22	2.37	43.0	4.57	2.50		
	70	14.3	2.02	2.10	18.2	2.39	2.19	19.9	2.55	2.23	25.3	3.03	2.37	30.7	3.49	2.51	34.4	3.79	2.60	36.0	3.91	2.64	41.2	4.29	2.78		
	80	12.5	1.56	2.38	16.4	1.96	2.47	18.1	2.12	2.51	23.5	2.65	2.65	28.9	3.14	2.79	32.6	3.46	2.88	34.2	3.59	2.92	39.4	4.01	3.06		
1210	60	16.5	2.56	1.82	20.4	2.91	1.92	22.1	3.05	1.96	27.5	3.50	2.10	32.9	3.92	2.23	36.6	4.19	2.33	38.2	4.30	2.37	43.4	4.65	2.51		
	70	14.7	2.10	2.10	18.6	2.47	2.20	20.3	2.63	2.24	25.7	3.11	2.37	31.1	3.57	2.51	34.8	3.87	2.61	36.4	3.99	2.65	41.6	4.37	2.78		
	80	12.9	1.64	2.38	16.8	2.04	2.48	18.5	2.20	2.52	23.9	2.73	2.65	29.3	3.22	2.79	33.0	3.54	2.88	34.6	3.67	2.92	39.8	4.10	3.06		
1410	60	16.9	2.66	1.83	20.8	3.00	1.92	22.5	3.14	1.96	27.9	3.60	2.10	33.3	4.01	2.24	37.0	4.29	2.33	38.6	4.40	2.37	43.8	4.75	2.51		
	70	15.1	2.20	2.11	19.0	2.57	2.20	20.7	2.72	2.24	26.1	3.21	2.38	31.5	3.66	2.51	35.2	3.96	2.61	36.8	4.08	2.65	42.0	4.47	2.79		
	80	13.3	1.74	2.38	17.2	2.13	2.48	18.9	2.30	2.52	24.3	2.82	2.66	29.7	3.31	2.79	33.4	3.63	2.89	35.0	3.77	2.93	40.2	4.19	3.06		

## Q7RF-X36KA Low Speed

CFM		Indoor T. Deg.F		OUTDOOR TEMPERATURE (Deg. F)																							
				10			17			20			30			40			47			50			60		
				MBH	COP	kW	MBH	COP	kW	MBH	COP	kW	MBH	COP	kW	MBH	COP	kW	MBH	COP	kW	MBH	COP	kW	MBH	COP	kW
800	60	8.7	1.62	1.58	11.8	2.16	1.60	13.2	2.39	1.62	17.6	3.12	1.65	22.1	3.82	1.69	25.2	4.29	1.72	26.5	4.49	1.73	31.0	5.13	1.77		
	70	8.2	1.57	1.53	11.1	2.07	1.58	12.4	2.28	1.60	16.6	2.94	1.66	20.8	3.55	1.72	23.7	3.95	1.76	25.0	4.12	1.78	29.2	4.65	1.84		
	80	7.6	1.47	1.51	10.4	1.95	1.56	11.6	2.14	1.58	15.5	2.75	1.65	19.5	3.31	1.72	22.3	3.68	1.77	23.5	3.83	1.80	27.4	4.31	1.87		
950	60	8.8	1.59	1.62	11.9	2.13	1.64	13.3	2.35	1.66	17.8	3.09	1.69	22.3	3.79	1.73	25.5	4.26	1.75	26.8	4.46	1.77	31.3	5.10	1.80		
	70	8.3	1.54	1.58	11.3	2.04	1.62	12.6	2.25	1.64	16.8	2.90	1.70	21.1	3.51	1.76	24.0	3.92	1.80	25.3	4.09	1.82	29.6	4.63	1.87		
	80	7.7	1.46	1.55	10.5	1.93	1.60	11.7	2.12	1.62	15.8	2.73	1.70	19.8	3.28	1.77	22.6	3.64	1.82	23.8	3.79	1.84	27.9	4.26	1.92		
1100	60	9.0	1.58	1.66	12.1	2.11	1.69	13.5	2.33	1.70	18.0	3.06	1.73	22.5	3.76	1.76	25.7	4.23	1.78	27.1	4.43	1.79	31.6	5.08	1.82		
	70	8.4	1.52	1.62	11.4	2.02	1.66	12.7	2.22	1.68	17.0	2.88	1.73	21.3	3.49	1.79	24.3	3.90	1.83	25.6	4.07	1.85	29.9	4.61	1.90		
	80	7.9	1.45	1.59	10.7	1.91	1.64	11.9	2.10	1.66	15.9	2.69	1.74	20.0	3.24	1.81	22.8	3.59	1.86	24.0	3.74	1.88	28.1	4.20	1.96		

# HEATING EXPANDED RATINGS (CONTINUED)

## Q7RF-X48K High Speed

		OUTDOOR TEMPERATURE (Deg. F)																							
		10			17			20			30			40			47			50			60		
CFM	Indoor T. Deg.F	MBH	COP	kW	MBH	COP	kW	MBH	COP	kW	MBH	COP	kW	MBH	COP	kW	MBH	COP	kW	MBH	COP	kW	MBH	COP	kW
1320	60	22.3	2.3	2.69	15.9	2.7	2.64	16.2	2.9	2.65	27.5	3.4	2.79	48.9	4.0	3.10	66.1	4.4	3.43	73.3	4.5	3.60	93.3	5.1	4.26
	70	37.2	2.6	3.14	24.8	2.7	3.10	22.6	2.8	3.11	25.4	2.9	3.25	38.4	3.0	3.56	49.6	3.1	3.89	54.2	3.1	4.06	65.7	3.2	4.72
	80	51.7	2.7	3.60	33.4	2.5	3.56	28.6	2.4	3.57	22.9	2.0	3.71	27.4	1.7	4.02	32.7	1.5	4.35	34.7	1.4	4.51	37.8	1.1	5.18
1520	60	34.7	1.9	2.63	21.6	2.1	2.59	19.1	2.1	2.60	21.0	2.4	2.74	33.1	2.6	3.05	43.7	2.8	3.38	48.1	2.8	3.55	58.7	3.1	4.21
	70	35.0	1.8	3.09	23.0	1.9	3.05	21.0	2.0	3.06	24.4	2.1	3.20	38.0	2.3	3.51	49.7	2.5	3.84	54.5	2.5	4.00	66.7	2.7	4.67
	80	34.9	1.4	3.55	24.0	1.5	3.51	22.4	1.5	3.52	27.4	1.6	3.66	42.5	1.8	3.97	55.3	1.9	4.30	60.6	1.9	4.46	74.3	2.1	5.13
1720	60	47.1	3.0	2.55	27.4	3.0	2.51	22.1	2.9	2.52	14.6	2.9	2.66	17.3	2.8	2.97	21.3	2.7	3.30	22.8	2.7	3.46	24.0	2.6	4.13
	70	32.8	2.5	3.01	21.2	2.7	2.97	19.4	2.7	2.98	23.5	3.0	3.12	37.7	3.2	3.43	49.8	3.4	3.76	54.8	3.5	3.92	67.6	3.7	4.59
	80	18.1	1.7	3.47	14.6	2.1	3.43	16.3	2.2	3.44	31.9	2.8	3.57	57.7	3.4	3.89	77.9	3.8	4.22	86.4	4.0	4.38	111.0	4.6	5.05

## Q7RF-X48K Low Speed

		OUTDOOR TEMPERATURE (Deg. F)																							
		10			17			20			30			40			47			50			60		
CFM	Indoor T. Deg.F	MBH	COP	kW	MBH	COP	kW	MBH	COP	kW	MBH	COP	kW	MBH	COP	kW	MBH	COP	kW	MBH	COP	kW	MBH	COP	kW
970	60	13.1	1.7	2.21	16.8	2.2	2.24	18.4	2.4	2.26	23.7	3.0	2.31	29.1	3.6	2.36	32.8	4.0	2.39	34.4	4.2	2.41	39.7	4.7	2.46
	70	12.5	1.6	2.26	16.1	2.0	2.31	17.6	2.2	2.33	22.7	2.8	2.39	27.8	3.3	2.45	31.3	3.7	2.50	32.9	3.8	2.52	37.9	4.3	2.58
	80	11.9	1.5	2.34	15.3	1.9	2.38	16.8	2.0	2.40	21.6	2.6	2.47	26.5	3.1	2.54	29.9	3.4	2.59	31.4	3.5	2.61	36.2	4.0	2.68
1070	60	13.2	1.7	2.24	16.9	2.2	2.28	18.6	2.4	2.29	23.9	3.0	2.34	29.3	3.6	2.39	33.1	4.0	2.42	34.7	4.2	2.43	40.1	4.7	2.48
	70	12.6	1.6	2.30	16.2	2.0	2.34	17.8	2.2	2.36	22.9	2.8	2.42	28.0	3.3	2.48	31.6	3.7	2.52	33.2	3.8	2.54	38.3	4.3	2.60
	80	12.0	1.5	2.37	15.5	1.9	2.42	17.0	2.0	2.44	21.9	2.6	2.50	26.8	3.1	2.57	30.2	3.4	2.62	31.7	3.5	2.64	36.7	4.0	2.71
1170	60	13.3	1.7	2.28	17.1	2.2	2.31	18.7	2.4	2.32	24.1	3.0	2.37	29.6	3.6	2.41	33.3	4.0	2.44	35.0	4.2	2.46	40.4	4.7	2.50
	70	12.7	1.6	2.33	16.4	2.0	2.37	17.9	2.2	2.39	23.1	2.8	2.45	28.3	3.3	2.51	31.9	3.7	2.55	33.5	3.8	2.56	38.7	4.3	2.62
	80	12.2	1.5	2.40	15.6	1.9	2.45	17.1	2.0	2.47	22.1	2.6	2.53	27.0	3.0	2.60	30.5	3.4	2.65	31.9	3.5	2.67	36.9	4.0	2.73

## Q7RF-X60K High Speed

		OUTDOOR TEMPERATURE (Deg. F)																							
		10			17			20			30			40			47			50			60		
CFM	Indoor T. Deg.F	MBH	COP	kW	MBH	COP	kW	MBH	COP	kW	MBH	COP	kW	MBH	COP	kW	MBH	COP	kW	MBH	COP	kW	MBH	COP	kW
1600	60	26.6	2.4	2.81	31.5	2.9	3.05	33.7	3.0	3.15	41.5	3.6	3.48	49.9	4.0	3.82	56.3	4.3	4.06	59.1	4.4	4.16	68.9	4.6	4.49
	70	24.0	2.0	3.42	28.9	2.5	3.65	31.1	2.6	3.75	38.9	3.1	4.09	47.4	3.5	4.43	53.7	3.7	4.66	56.5	3.8	4.76	66.4	4.0	5.10
	80	21.5	1.7	4.02	26.4	2.1	4.26	28.6	2.2	4.36	36.3	2.6	4.69	44.8	3.0	5.03	51.1	3.2	5.27	54.0	3.2	5.37	63.8	3.4	5.70
1800	60	27.4	2.4	2.67	32.3	2.9	2.90	34.5	3.1	3.00	42.3	3.6	3.34	50.8	4.1	3.68	57.1	4.3	3.91	59.9	4.4	4.01	69.8	4.7	4.35
	70	24.9	2.1	3.27	29.7	2.5	3.51	31.9	2.6	3.61	39.7	3.1	3.94	48.2	3.5	4.28	54.5	3.8	4.52	57.3	3.8	4.62	67.2	4.0	4.95
	80	22.3	1.7	3.88	27.2	2.1	4.11	29.4	2.2	4.21	37.1	2.7	4.55	45.6	3.0	4.89	51.9	3.2	5.12	54.8	3.3	5.22	64.6	3.4	5.56
2000	60	28.2	2.4	2.52	33.1	2.9	2.76	35.3	3.1	2.86	43.1	3.6	3.19	51.6	4.1	3.53	57.9	4.3	3.77	60.7	4.4	3.87	70.6	4.7	4.21
	70	25.7	2.1	3.13	30.6	2.5	3.36	32.8	2.7	3.46	40.5	3.2	3.80	49.0	3.6	4.14	55.3	3.8	4.37	58.1	3.9	4.47	68.0	4.1	4.81
	80	23.1	1.7	3.73	28.0	2.1	3.97	30.2	2.3	4.07	38.0	2.7	4.40	46.4	3.0	4.74	52.8	3.2	4.98	55.6	3.3	5.08	65.4	3.4	5.42

## Q7RF-X60K Low Speed

		OUTDOOR TEMPERATURE (Deg. F)																							
		10			17			20			30			40			47			50			60		
CFM	Indoor T. Deg.F	MBH	COP	kW	MBH	COP	kW	MBH	COP	kW	MBH	COP	kW	MBH	COP	kW	MBH	COP	kW	MBH	COP	kW	MBH	COP	kW
1040	60	15.0	1.9	2.09	19.0	2.5	2.22	20.8	2.8	2.28	27.1	3.5	2.46	33.8	4.1	2.65	38.8	4.4	2.78	41.0	4.6	2.83	48.6	4.9	3.02
	70	13.1	1.6	2.42	17.1	2.1	2.55	18.9	2.3	2.60	25.2	2.9	2.79	31.9	3.4	2.98	36.9	3.6	3.11	39.1	3.7	3.16	46.7	3.9	3.35
	80	11.2	1.2	2.75	15.2	1.7	2.88	17.0	1.8	2.93	23.3	2.3	3.12	30.0	2.6	3.30	35.0	2.8	3.44	37.2	2.8	3.49	44.8	3.0	3.68
1240	60	15.2	1.9	2.08	19.2	2.5	2.21	21.0	2.8	2.26	27.2	3.5	2.45	33.9	4.2	2.63	38.9	4.6	2.76	41.1	4.8	2.82	48.8	5.2	3.01
	70	13.3	1.5	2.40	17.3	2.1	2.53	19.1	2.3	2.59	25.3	3.0	2.78	32.0	3.5	2.96	37.0	3.8	3.09	39.2	3.9	3.15	46.9	4.2	3.34
	80	11.3	1.2	2.73	15.4	1.7	2.86	17.1	1.8	2.92	23.4	2.4	3.11	30.1	2.8	3.29	35.1	3.0	3.42	37.3	3.0	3.48	45.0	3.2	3.66
1440	60	15.3	1.8	2.06	19.3	2.5	2.19	21.1	2.8	2.25	27.4	3.6	2.43	34.1	4.3	2.62	39.1	4.8	2.75	41.3	4.9	2.81	48.9	5.4	2.99
	70	13.4	1.5	2.39	17.4	2.1	2.52	19.2	2.3	2.58	25.5	3.0	2.76	32.2	3.6	2.95	37.2	3.9	3.08	39.4	4.1	3.14	47.0	4.4	3.32
	80	11.5	1.1	2.72	15.5	1.6	2.85	17.3	1.8	2.91	23.6	2.4	3.09	30.3	2.9	3.28	35.3	3.1	3.41	37.5	3.2	3.46	45.1	3.4	3.65



### GENERAL TERMS OF LIMITED WARRANTY

Nortek Global HVAC, LLC will furnish a replacement for any part of this product which fails in normal use and service within the terms and conditions of the warranty.

For complete details of the Limited Warranty, including applicable terms and conditions, see your local installer or contact the Nortek Global HVAC, LLC warranty department for a copy.

Before purchasing this appliance, read important energy cost and efficiency information available from your retailer. Specifications and illustrations subject to change without notice and without incurring obligations. Printed in U.S.A (08/2018)