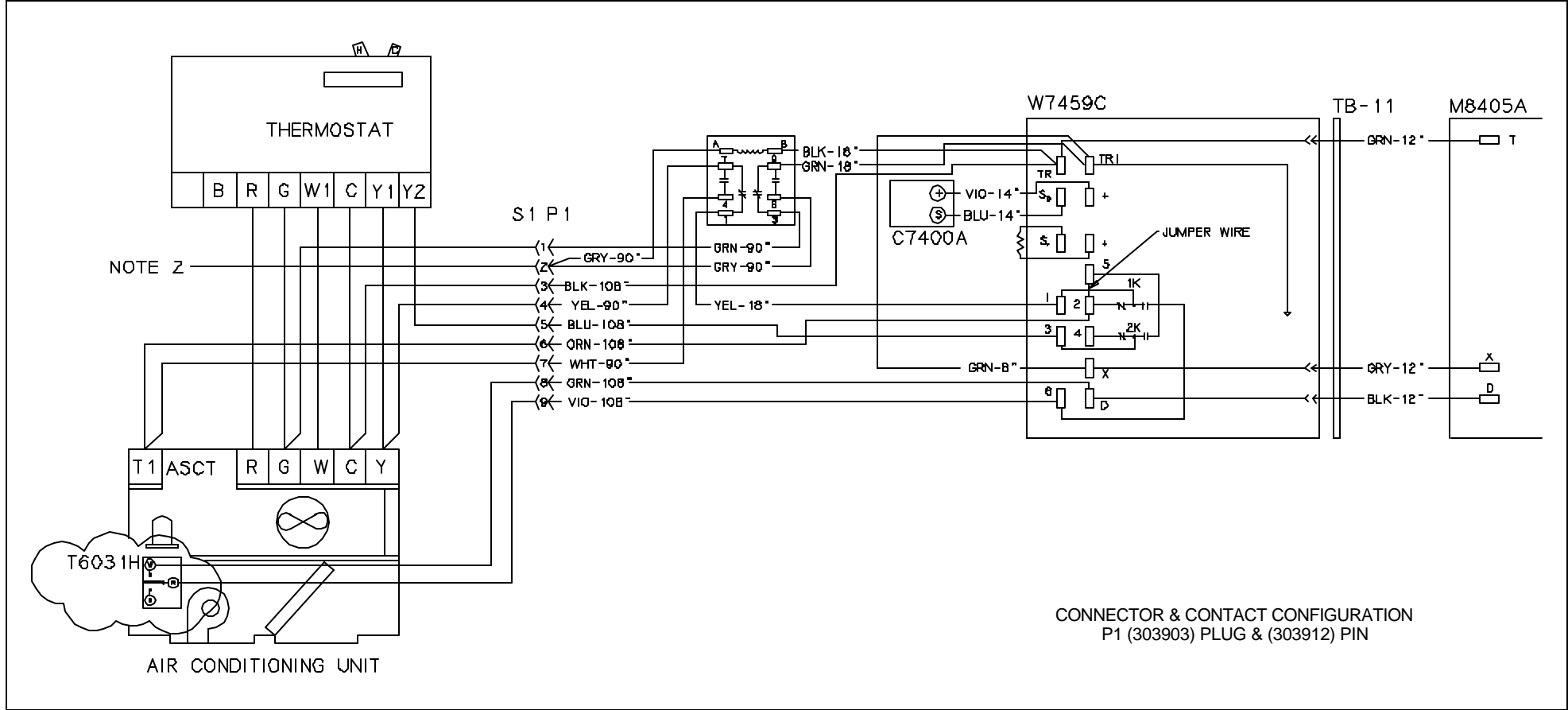


MATERIALS LIST		
QTY	RSI PART#	DESCRIPTION
144"	303001	Wire 18 Ga. Green
122"	303002	Wire 18 Ga. Vio let
108"	303003	Wire 18 Ga. Yel low
237"	303004	Wire 18 Ga. Black
119"	303005	Wire 18 Ga. White
122"	303006	Wire 18 Ga. Blue
108"	303007	Wire 18 Ga. Or ange
141"	303008	Wire 18 Ga. Gray
1	303140	Enthalpy Control
1	303300	#3/HW Mo tor
1	303302	Mixed Air Sen sor
1	303303	Logic Module
1	303510	TB- 11 Terminal Board
18	303605	Fe male ¼" Quick Disc. (Red)
5	303607	Fe male 3/16" Quick Disc. (Red)
2	303616	Fe male ¼" Quick Disc. (Blue)
10	303620	Wire Ties 3 ¾" L
1	303903	AMP 9 Cir Plug Conn. Male
8	303912	AMP Pin Con tact Male

HARNESS DETAIL	COMPONENT CODE	WIRE COLOR CODE
E# = WIRE END DESIGNATION E2 STUD #6 18 Ga. Wire E3 Female ¼ Quick Disc. E4 Male ¼ Quick Disc. Insul E6 Wire Nut Size 73B	Economizer T6031H Mixed Air Sensor C7400A Fresh Air Sensor M8405A Damper Actuator 24V P1/S1 Plug/Cap Economizer P2/S2 Plug/Cap Economizer TB-11 Terminal Board W7459C Logic Module	BLK Black BLU Blue BRN Brown GRN Green GRY Gray ORN Orange RED Red VIO Violet WHT White YEL Yellow



Notes: 1. Unit wir ing shown as ref er ence only. Check unit wir ing for ac tual unit wir ing. 2. Connection: "R4" units: Yel low side of gas valve "P4" units: "W" on A/C unit "Q4" units: "B" on in door ther mo stat sub- base. 3. Y2 must be en er gized for the com pres sor to op er ate dur ing econo mizer op er a tion.	3-Position Econo mizer R4GA/GC 024- 060 P4SA/SC Q4SA/SC 036-060	
	Roof top Sys tems, Inc. 2405 Mclver Lane Car roll ton, Texas 75006 Phone (972) 247- 7447 Fax (972) 243- 0940	Date: Janu ary 14, 2002 Supercedes: 01-10-02 Drawn by: Unit # 47-315-06 Diagram# 31506W