

TECHNICAL SPECIFICATIONS

O4 Series Oil Furnaces

Low boy High boy Downflow/Horizontal

The O4 Series Oil Furnace combines time proven design in the Classic Low Boy, High Boy, and Downflow configurations. The Downflow models can be configured for horizontal applications. The units are multi-fired for a wide range of outputs (.50 to 2.0 G.P.H. depending on model). Classic design, versatility and reliability are important attributes that oil heat professionals have come to rely upon.



Low Boy

High Boy

Downflow/Horizontal

shown with optional front vestibule

WARRANTY

- This product offers a 10-year All-Parts Warranty.
- This product offers a 10 year Quality Pledge to replace the entire unit, if the unit's major component (heat exchanger or compressor) fails within the first 10 years of operation, to the original owner. All split system products must be installed with a matched indoor air handler or indoor coil to qualify.
- Consumer product registration required for both 10 year All Parts Warranty and Quality Pledge within a limited period of time after the installation. See current warranty document or visit our consumer web site for warranty details.
- Also when registered, this product is upgraded to a limited lifetime heat exchanger warranty.

FEATURES and BENEFITS

- **Cabinet Construction:** 22 gauge steel cabinet ensures strength and quiet operation.
- **Finish:** Thermosetting powder coat for greater durability.
- **Firing Rates:** Multi-firing rates for a wide range of applications.
- **Burner:** Equipped with industry leading Beckett burner which includes clean-cut pump, PSC motor, and solid state controls. Factory pre-wired, pre-assembled and tested. Ready to connect to fuel supply line.
- **Barometric Draft Control:** Included with all models.
- **Heat Exchanger:** Proven heat exchanger design featuring 100% welded construction for maximum performance. Large, accessible heat exchanger clean-out ports.
- **Radiator:** "Wrap-around" type for maximum heat transfer.
- **Blower:** Direct drive type. Permanently lubricated, resilient mounted.
- **Blower Motor:** Designed for heavy-duty, continuous operation. Thermally protected. Four-speed is standard. O4LD-231A uses a belt drive blower with single speed motor. A pulley change is required to change speeds.
- **Blower Assembly:** Entire unit with motor can be easily removed for servicing.
- **Filters Included in all Models:** Filter and rack built in on O4LD models. Filter and rack packaged with O4HD and O4MD models.
- **Insulation:** Spun glass and aluminum foil for "hand cool" cabinet.
- **Access Door:** Easily removed for access to burner and controls. Completely enclosed controls and burner in most units.
- **Air Conditioning:** Pre-wired fan center relay is standard on all direct drive models except O4LD-231A.
- **Coil Transitions:** Adapts furnace outlet to accept C6 cased coils.

B Cabinet: sku 559528

C Cabinet: sku 559529

D Cabinet: sku 559530

Note: All oil fired furnaces manufactured after May 1, 2005 for sale in Canada require additional safety devices that will shut down the Oil Burner if the Flue Vent becomes blocked. (See Replacement Parts List for Part Numbers).

Low Boy Front & Rear Flue Outlet

O4LD-091A-12-RA (Compact)
 O4LD-140A-16-(F-R)
 O4LD-168A-16-(F-R)
 O4LD-231A-20-R

Caution - All oil furnaces require proper set-up and installation by a certified oil heat technician.

SYSTEM SPECIFICATIONS:

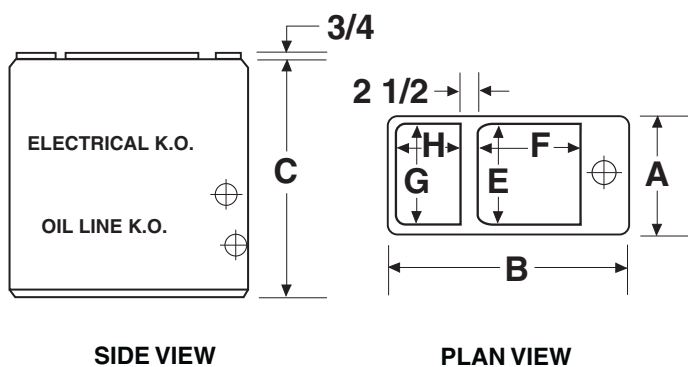
Model Number O4LD-	Output BTUH	AFUE	Blower Performance CFM @ 0.5" w.c.	Flow Rate G.P.H.	Angle of Spray	Filter Size	Ship Wt.
091A-12-RA	60,000	85.0	702, 1063, 1383, 1462	0.50	80° A	20 x 20	240
	75,000(1)	83.0		0.65	80° A		
	82,000	82.0		0.75	80° A		
140A-16-(F,R)	90,000	84.5/85.0	665, 1065, 1445, 1585	0.75	80° A	20 x 25	290
	101,000	83.0/83.0		0.85	80° A		
	117,000(1)	83.0/85.0		1.00	80° A		
168A-16-(F,R)	130,000	82.0/82.0	665, 1065, 1445, 1585	1.10	70° A	20 x 25	290
	143,000(1)	83.0/83.5		1.20	60° A		
231A-20-R	188,000(1)	78.0	2034-2164 (With Furnished Belt Drive Pulleys)	1.65	70° B	20 x 25	540
	224,000	78.0		2.00	70° B		

(1) Factory Setting

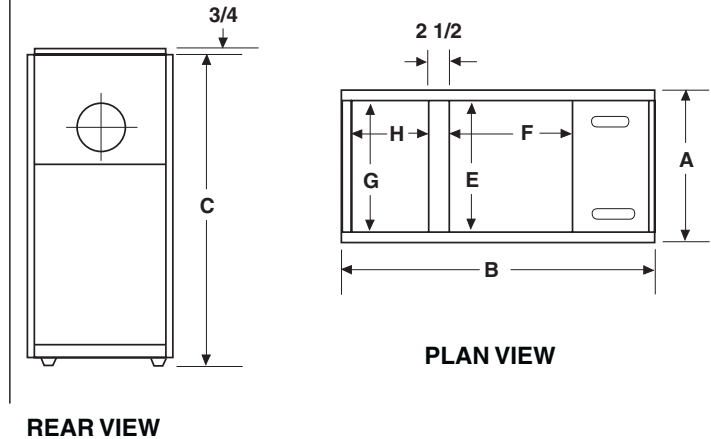
DIMENSIONS:

Model Number O4LD-	Cabinet Size			Supply Plenum		Return Plenum		Diameter of Flue Pipe
	Width A	Depth B	Height C	Width E	Depth F	Width G	Depth H	
091A-12-RA	22	51 1/2	32-3/4	20 1/2	18 5/8	20 1/2	18 5/8	5
140A-16-(F,R)	22	51 1/2	41	20 1/2	18 5/8	20 1/2	18 5/8	6
168A-16-(F,R)	22	51 1/2	41	20 1/2	18 5/8	20 1/2	18 5/8	6
231A-20-R	26	49	56	24	22	24	22	7

Front Flue



Rear Flue



High Boy

O4HD-091A-12-FB
O4HD-140A-14-FB

Caution - All oil furnaces require proper set-up and installation by a certified oil heat technician.

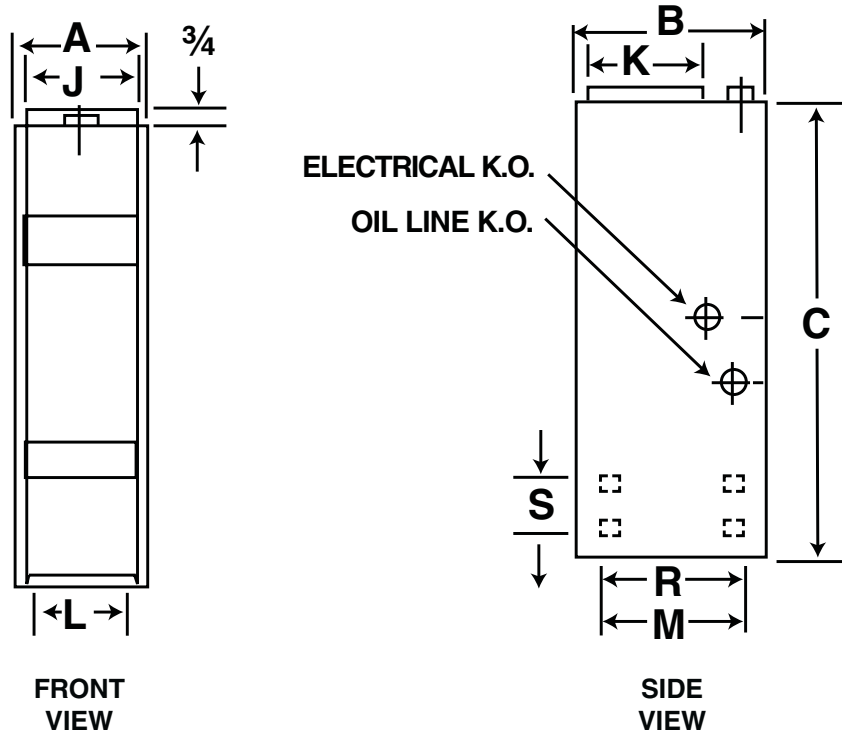
SYSTEM SPECIFICATIONS:

Model Number O4HD-	Output BTUH	AFUE	Blower Performance CFM @ 0.5" w.c.	Flow Rate G.P.H.	Angle of Spray	Filter Size	Ship Wt.
091A-12-FB	59,000	84.0	672, 1037, 1369, 1476	0.50	80° A	16 x 25	250
	75,000(1)	83.0		0.65	80° A		
	86,100	82.0		0.75	80° A		
140A-14-FB	87,000	83.0	696, 1084, 1366, 1440	0.75	60° W	16 x 25	270
	99,000	83.0		0.85	60° W		
	116,000(1)	83.0		1.00	60° W		

(1) Factory setting

DIMENSIONS:

Model Number O4HD-	Cabinet Size			Supply Plenum		Bottom Return		Side Return Air K.O.		Diameter of Flue Pipe
	Width A	Depth B	Height C	Width J	Depth K	Width L	Depth M	Width R	Depth S	
091A-12-FB	22	31	49 5/8	20 1/2	20	14	22	22	14	5
140A-14-FB	22	31	58	20 1/2	20	14	22	22	14	6



Downflow/Horizontal

O4MD-091A-12-FA

O4MD-140A-16-FA

Caution - All oil furnaces require proper set-up and installation by a certified oil heat technician.

SYSTEM SPECIFICATIONS:

Model Number O4MD-	Output BTUH	AFUE	Blower Performance CFM @ 0.5" w.c.	Flow Rate G.P.H.	Nozzle Type	Filter Size	Ship Wt.
091A-12-FA Optional Vestibule Kit Available	58,000	83.0	763, 1063, 1220, 1291	0.50	80° A	20 x 20	263
	75,000(1)	83.0		0.65	80° A		
	85,600	81.5		0.75	80° A		
140A-16-FA No Vestibule Kit Available	85,500	84.0	1365, 1466, 1544, 1659	0.75	80° A	20 x 20	320
	96,000	83.0		0.85	80° A		
	112,000(1)	82.0		1.00	60° A		
	123,000(2)	82.0		1.10	70° A		

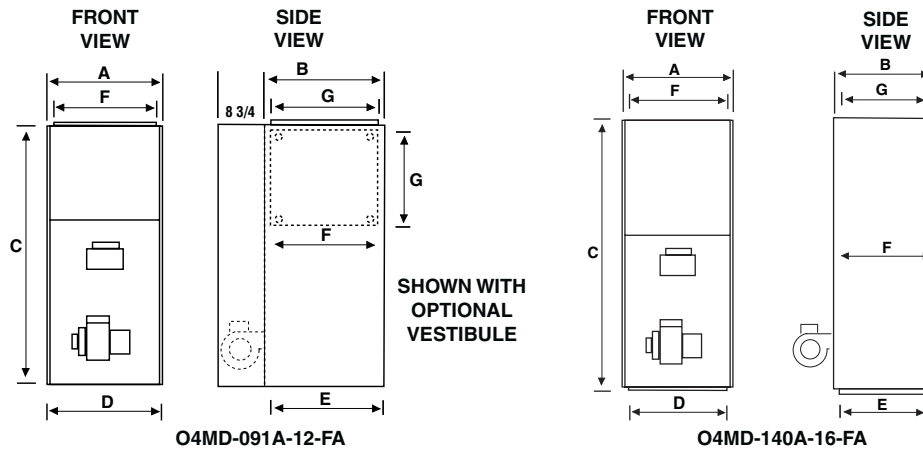
DIMENSIONS:

Model Number O4MD-	Cabinet Size			Supply Plenum		Return Plenum		Diameter of Flue Pipe
	Width A	Depth B	Height C	Width D	Depth E	Width F	Depth G	
091A-12-FA	22	22-1/8 (3)	55 1/4	19	19	18	18	5
140A-16-FA	22-1/4	22-1/4	62	20 1/2	20 1/2	18	18	6

- (1) Factory setting
- (2) Conversion kit for 123,000 Btuh output use #546012
- (3) Front Vestibule add 8 3/4"

ACCESSORIES:

- O4MD-091 non-combustible floor base Part # 546011
- O4MD-140 non-combustible floor base Part # 546010
- O4MD-091 Front Vestibule Kit Part # 546014A
(for sku 544106A)



GENERAL TERMS OF LIMITED WARRANTY

Nortek Global HVAC LLC will furnish a replacement for any part of this product which fails in normal use and service within the terms and conditions of the warranty.

For complete details of the Limited Warranty, including applicable terms and conditions, see your local installer or contact the Nortek Global HVAC LLC warranty department for a copy.

Before purchasing this appliance, read important energy cost and efficiency information available from your retailer. Specifications and illustrations subject to change without notice and without incurring obligations. Printed in U.S.A (01/2015)